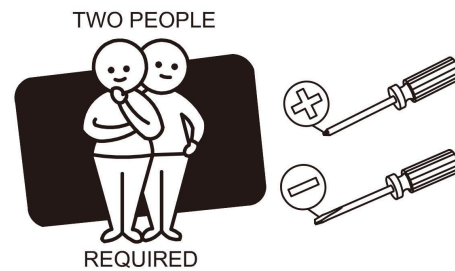
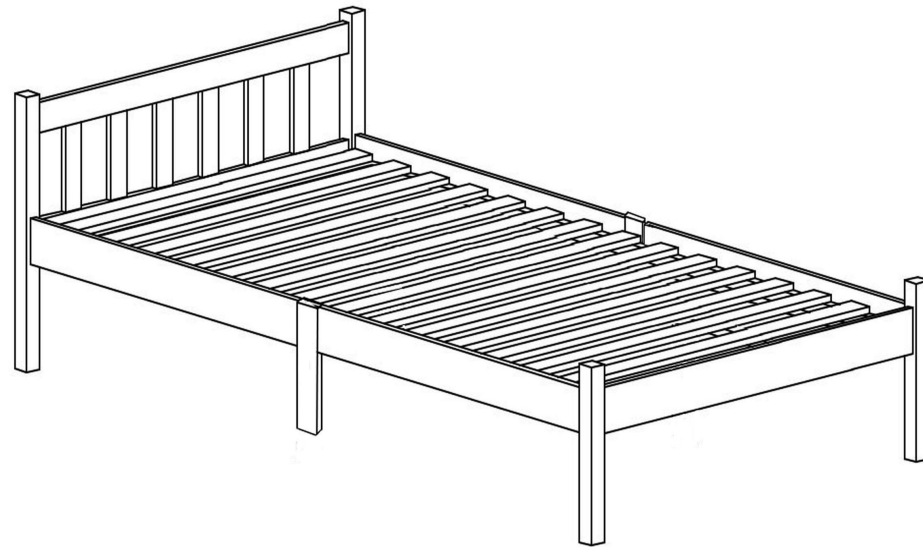




MODEL: WBED-D-001S-WH  
Version 1.0  
SINGLE BED FRAME



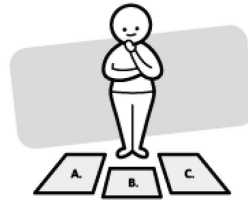
## Assembly checklist



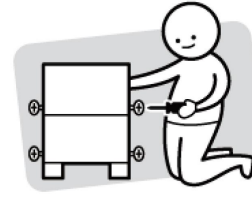
Read through the instructions carefully before you begin.



Make sure you have all the required tools.  
Do not use power tools.



Identify and lay out all of the components before you begin assembly.



Do not fully tighten all screws until step/  
process finished.

## Useful Information

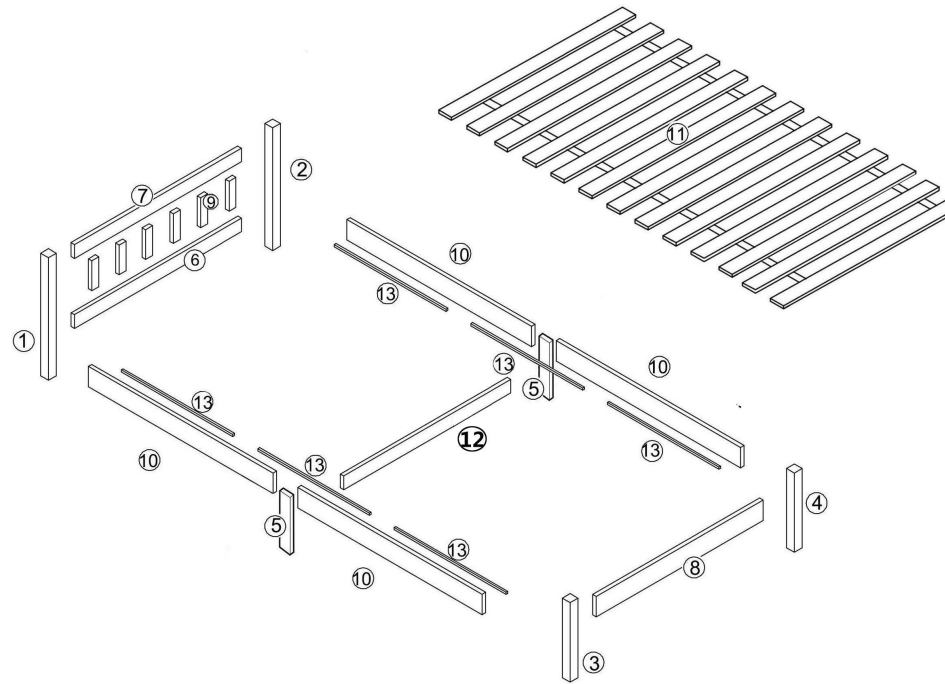
! Never use power tools, they can damage your components or hardware if used incorrectly.

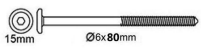


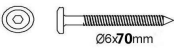





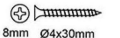


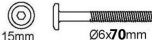
! The most common mistakes made during assembly are using the wrong hardware or getting components back to front.

! Always use a soft surface (such as carpet or cardboard) when assembling your product to avoid scratching or damaging the surface of the product.

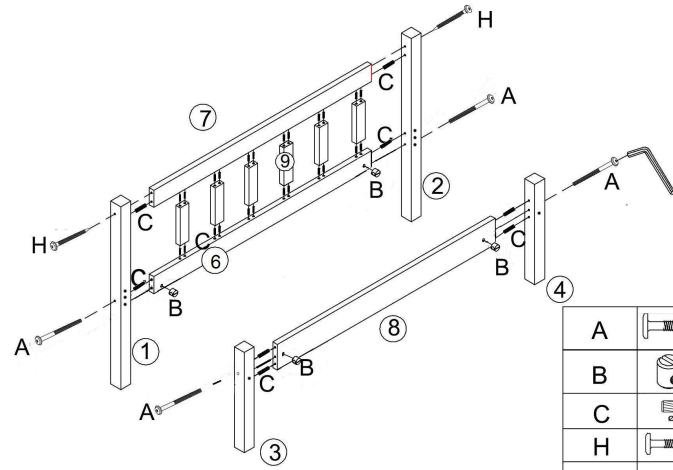
! Never use any glue until you are certain that the parts belong together.

# PARTS



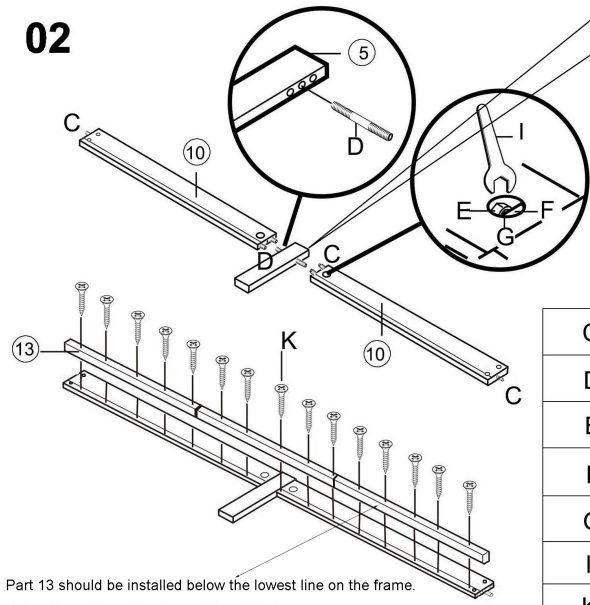
A	 15mm $\varnothing 6 \times 80$ mm	12	G		04
B		14	H	 $\varnothing 6 \times 70$ mm	02
C	 $\varnothing 8 \times 30$ mm	46	I		01
D		02	J		01
E		04	K	 8mm $\varnothing 4 \times 30$ mm	56
F		04	L	 15mm	16
			M	 15mm $\varnothing 6 \times 70$ mm	02

# 01

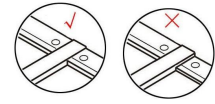


A		04
B		04
C		32
H		02
J		01

# 02



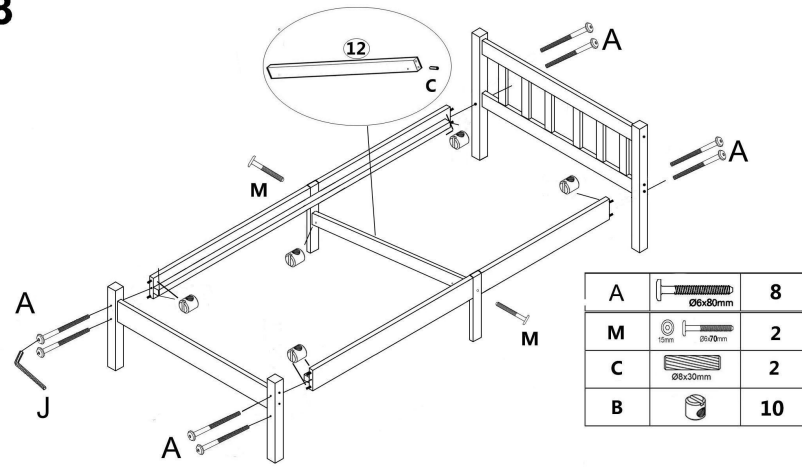
Attention: 1. When you are assembling, the pathway of the bedside must be face down  
 2. The inner side of the middle leg is the same level with the bedside, and the outer side of the middle leg is located on the outside of the bedside



C		12
D		2
E		4
F		4
G		4
I		1
K		30

Part 13 should be installed below the lowest line on the frame.  
 Note: Do not install in the middle of the two lines.

**03**



**04**

