

Assembly Instruction

UPH0-C-DIN470

Ax1



Ex8



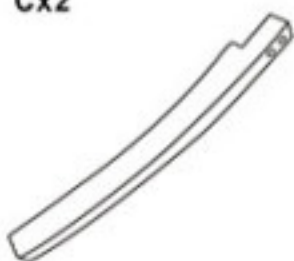
Bx2



Fx8



Cx2



Hx1

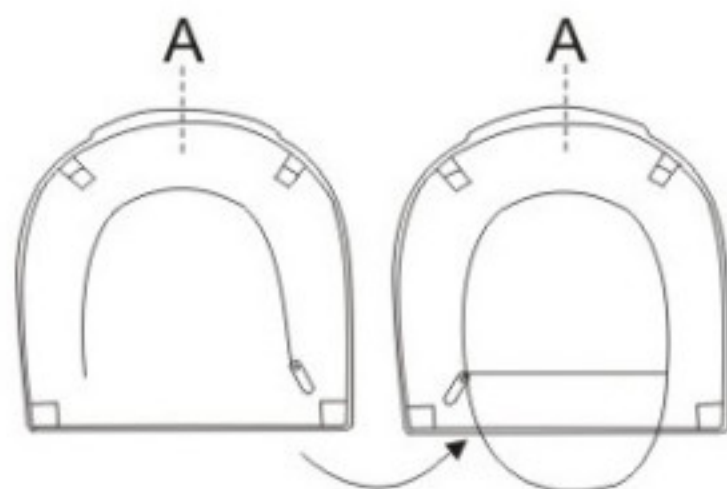


Dx8

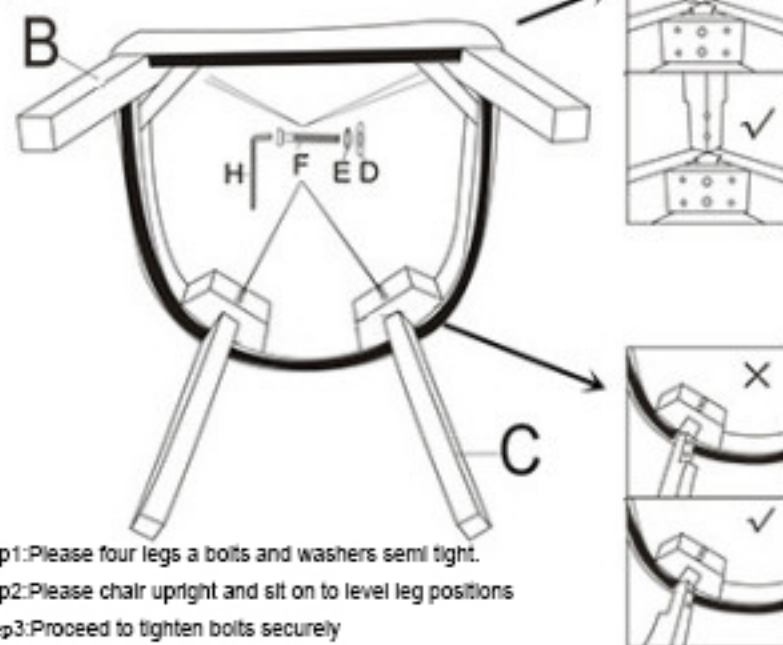


M8x22x2mm

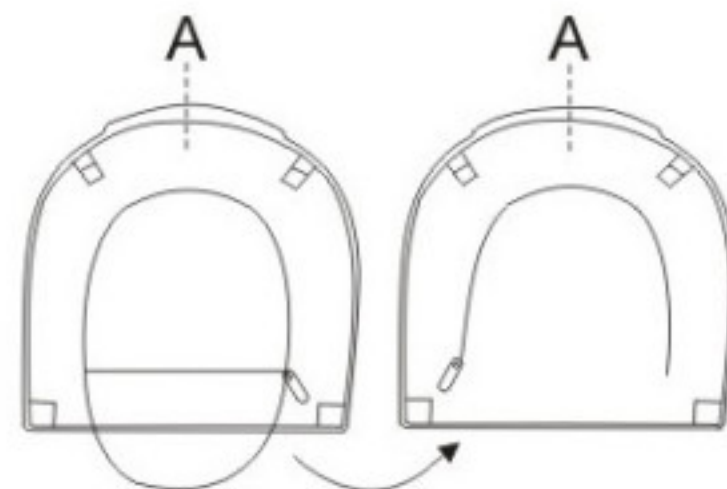
①



②



③



④



WARNING:

DO NOT STAND ON THE PRODUCT, DO NOT USE THIS PRODUCT AS A STEP LADDER.

DO NOT USE THIS PRODUCT UNLESS ALL BOLTS, SCREWS AND KNOBS ARE FIRMLY SECURED.

PLEASE DO NOT USE KNIFE TO OPEN ANY PARTS OF THE BOX OR PRODUCT.