






ASSEMBLE INSTRUCTIONS

<p>Ax1</p> 	<p>Dx4</p>  <p>M6x45mm</p>
<p>Bx1</p> 	<p>Ex1</p>  <p>M6</p>
<p>Cx1</p> 	

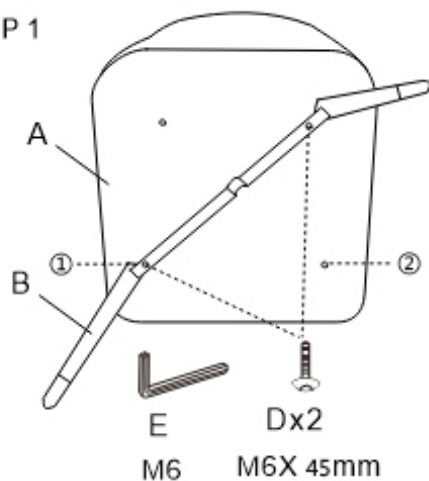
WARNING:

1. Do not stand on the chair. Do not use it as a step ladder.
2. Do not use this product until all screws are securely fastened.
3. Do not use a knife to open any packaging.

ASSEMBLY TIPS

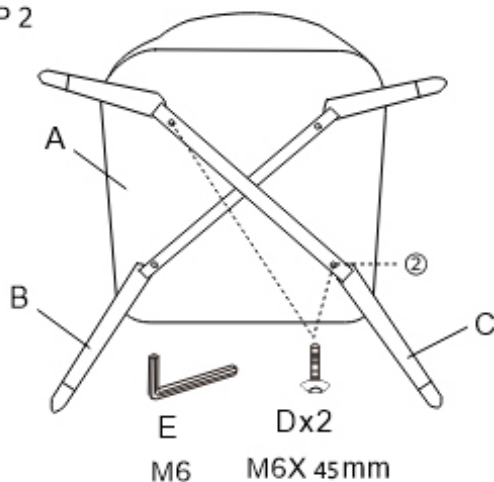
- Do not fully tighten the screws until all of them are aligned properly with the holes.
- If the legs are uneven on the ground during assembly, loosen some screws and add some pressure on the chair to ensure the legs are even. Then tighten the screws diagonally.

STEP 1



The ①/② on the seat screw hole need to meet the ①/② on the leg screw hole

STEP 2



COMPLETED

