



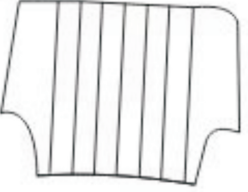





MODEL: UPHO-C-ARM-5098

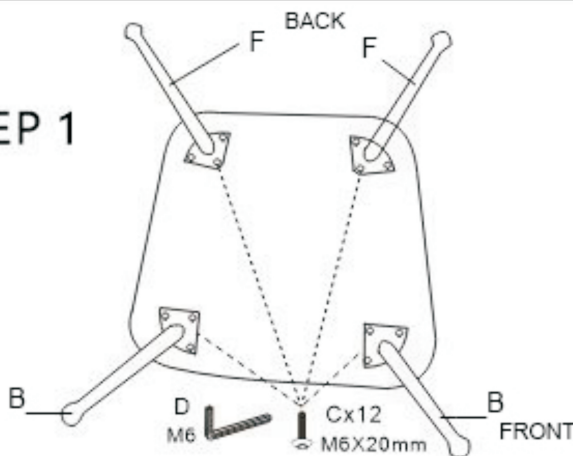
ASSEMBLE INSTRUCTIONS

Ax1 	Cx12  M6x20mm
Bx2  FRONT LONG LEG	Dx1  M6
Ex1 	F x 2  BACK SHORT LEG

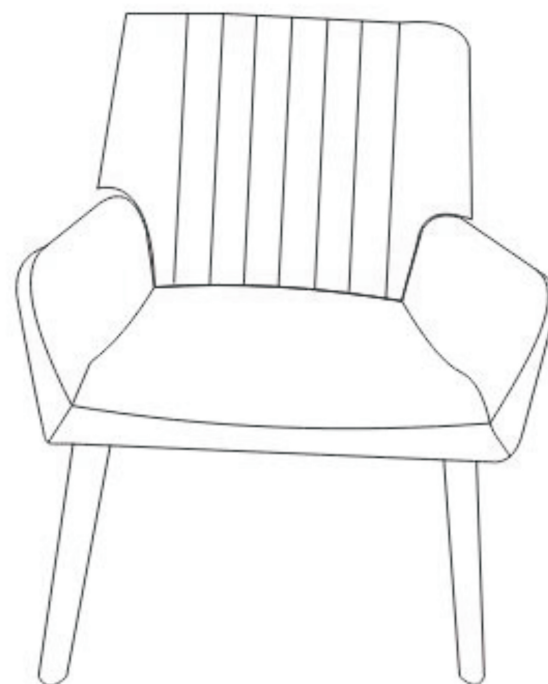
ASSEMBLY TIPS

- Do not fully tighten the screws until all of them are aligned properly with the holes.
- If the legs are uneven on the ground during assembly, loosen some screws and add some pressure on the chair to ensure the legs are even. Then tighten the screws diagonally.

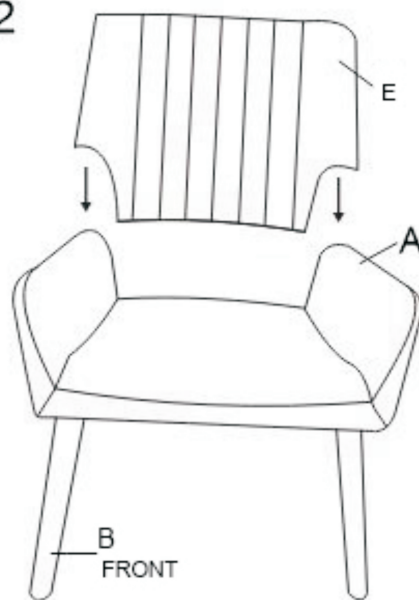
STEP 1



COMPLETED



STEP 2



WARNING:

1. Do not stand on the chair. Do not use it as a step ladder.
2. Do not use this product until all screws are securely fastened.
3. Do not use a knife to open any packaging.