

# Manual

## Notice



Read this assembly manual carefully, and verify that you have all the parts listed before you begin. Keep your assembly manual for future reference.



Move this stand gently with 2 persons.



Protect finishes by placing furniture pieces on a soft carpeted surface during assembly.



Do not place very hot/cold objects on top of any surface. Always use a coaster or mat. Never leave liquids on the surface: Clean immediately with a mild soap and a damp cloth. Never use scouring powder based cleanser. Don't touch the glass surface with a hard/acute object it may cause the glass to shatter.



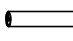
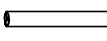
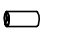


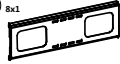




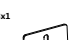





















**DO NOT ASSUME CHILD SAFETY WITH ANY PIECE OF FURNITURE!**

Do not allow children to climb on furniture. Improper use can cause death or serious injury. If you are placing a TV on top use safety straps on your TV to prevent the risk of a toppling television. Furniture straps fastened to a wall can also be used to help ensure safety.

Damaged parts or furniture put together incorrectly can lead to serious injuries. Make sure to follow instructions correctly.

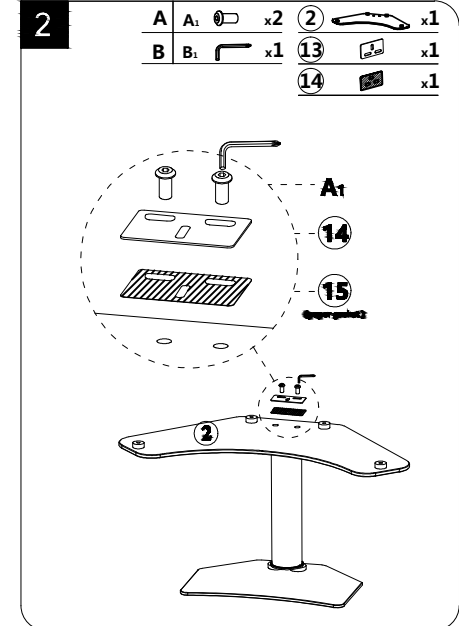
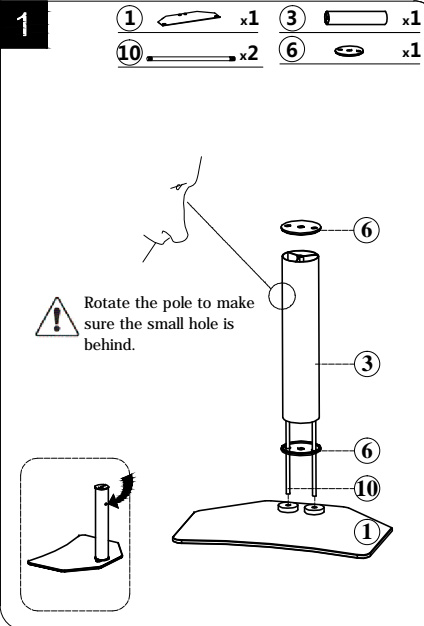
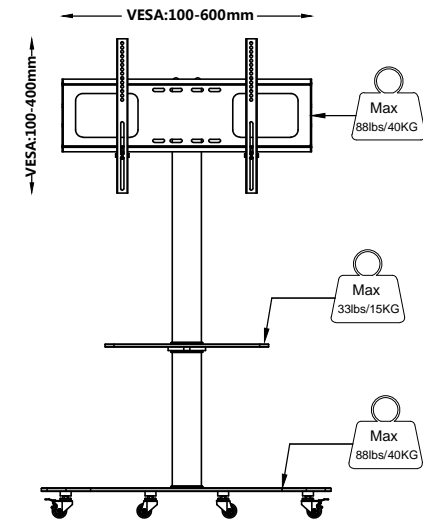
## Parts list

<b>1</b> 1x1 	<b>2</b> 2x1 	<b>3</b> 3x1  374mm	<b>4</b> 4x1  536mm	<b>5</b> 5x1  170mm
<b>6</b> 6x6 	<b>7</b> 7x2 	<b>8</b> 8x1 	<b>9</b> 9x2 	<b>10</b> 10x2  M8x392
<b>11</b> 11x2  M10x745	<b>12</b> 12x4 	<b>13</b> 13x1  (iron washer)	<b>14</b> 14x1  (paper gasket)	
<b>A</b>  A1: x2	<b>B</b>  B1: x1  B3: x1	<b>C</b>  C1: x2  C2: x2  C3: x2	<b>D</b>  D1: x2  D2: x2	<b>E</b>  E1: x2  E2: x2  E3: x2  E4: x2
<b>F</b>  F1: x1	<b>G</b>  G1: X1  G2: X1  G3: X1  G4: X1		<b>S</b> Screws for TV	<b>Tools Required(Not included)</b> 



**Model No.:**  
**TV-MOUN-W04-BK**  
Floor TV Stand With Mount

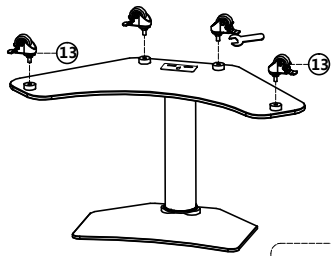
**For 32-70 Inch TV**



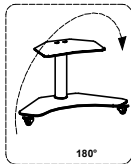
3

12		x4
B	B <sub>1</sub>	x1

⚠ Front 2 Wheels with brake, back Wheels without brake



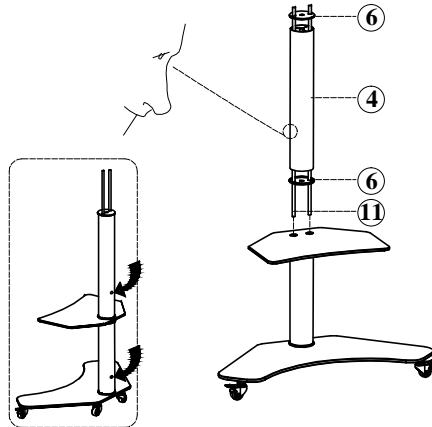
⚠ Turn over and lock the wheels before next step.



4

11		x2	4		x1
6		x2			

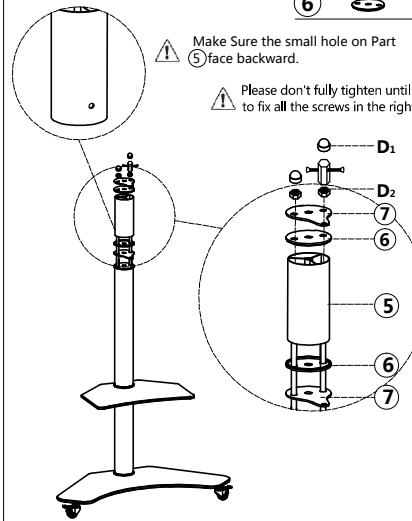
⚠ Rotate the pole to make sure the small hole is behind, also the hole must be close to the glass panel.



5

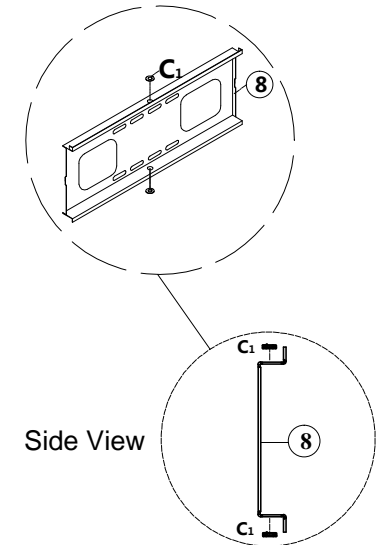
5		x1	D	D <sub>1</sub>		x2
7		x2		D <sub>2</sub>		x2
			B	B <sub>2</sub>		x1
6		x2		6		x2

⚠ Make Sure the small hole on Part 5 face backward.  
⚠ Please don't fully tighten until Step 6 to fix all the screws in the right holes.



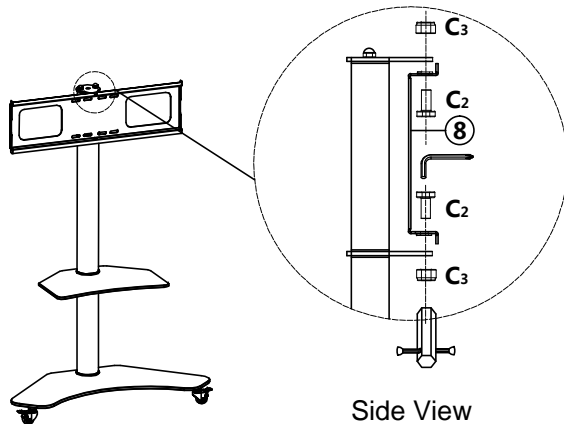
6

8		x1
C	C <sub>1</sub>	x2



7

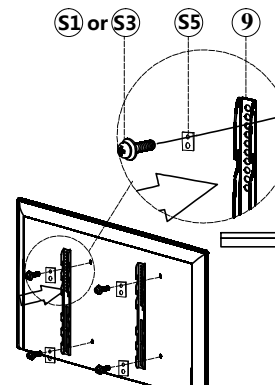
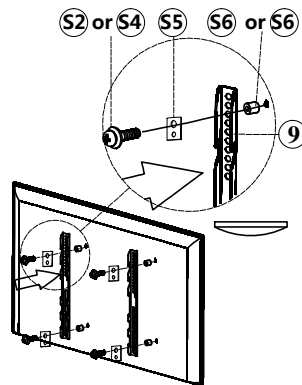
C	C <sub>2</sub>		x2
	C <sub>3</sub>		x2
B	B <sub>1</sub>		x1
F	F <sub>1</sub>		x1



8

⚠ Choose right screws for TV, the screws suit to most of TVs, but not all TVs.

S1		M6X25	x4	S5		x4
S2		M6X40	x4	S6		x4
S3		M8X25	x4		Space 13X17	x4
S4		M8X45	x4	9		x2



9

G	G <sub>1</sub>		x1	E	E <sub>1</sub>		x2
	G <sub>2</sub>		x1		E <sub>2</sub>		x2
	G <sub>3</sub>		x1		E <sub>3</sub>		x2
	G <sub>4</sub>		x1		E <sub>4</sub>		x2

