

Manual



Model No.:
TV-MOUN-S08-2-BK
 Adjustable Desktop TV Stand With Mount

Notice



Read this assembly manual carefully, and verify that you have all the parts listed before you begin. Keep your assembly manual for future reference.



Protect finishes by placing furniture pieces on a soft carpeted surface during assembly.



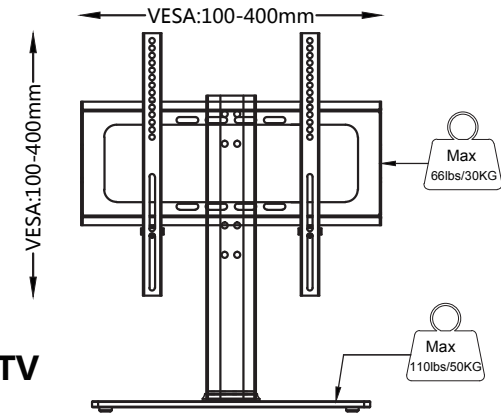
Please wear your gloves before installation to avoid injury.



Do not place very hot/cold objects on top of any surface. Always use a coaster or mat. Never leave liquids on the surface: Clean immediately with a mild soap and a damp cloth. Never use scouring powder based cleanser. Don't touch the glass surface with a hard/acute object it may cause the glass to shatter.



DO NOT ASSUME CHILD SAFETY WITH ANY PIECE OF FURNITURE!
 Do not allow children to climb on furniture. Improper use can cause death or serious injury. If you are placing a TV on top use safety straps on your TV to prevent the risk of a toppling television. Furniture straps fastened to a wall can also be used to help ensure safety.
 Damaged parts or furniture put together incorrectly can lead to serious injuries. Make sure to follow instructions correctly.



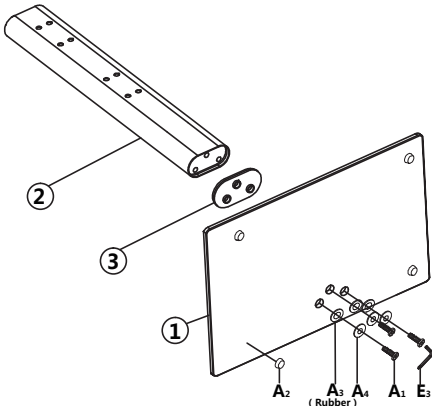
For 32-55 Inch TV

Parts list

① x1 	② x1 	③ x1 	④ x1
⑤ x2 			
A A ₁ X3 A ₂ X4 A ₃ X3 A ₄ X3	B B ₁ X4 B ₂ X4 B ₃ X4	C C ₁ X2 C ₂ X2 C ₃ X2	D D ₁ X2 D ₂ X2 D ₃ X2 D ₄ X2 D ₅ X2
E E ₁ X1 E ₂ X1 E ₃ X1 E ₄ X1	F F ₁ X2	G G ₁ X1 G ₂ X1 G ₃ X1 G ₄ X1	S Screws for TV

1

A	A ₁	x3	①	x1
	A ₂	x4	②	x1
	A ₃	x3	③	x1
	A ₄	x3	E	E ₁ x1

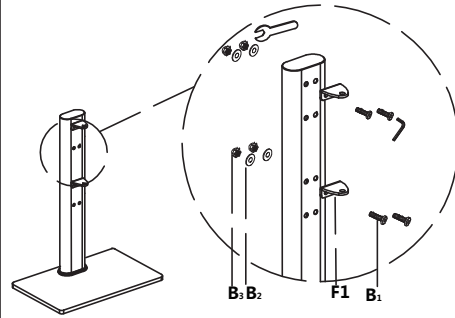


⚠ Please do not fully tighten before fix all the 3 screws in the right holes.

2

B	B ₁	x4	E ₁	x1
	B ₂	x4	E	x1
	B ₃	x4	F	x2

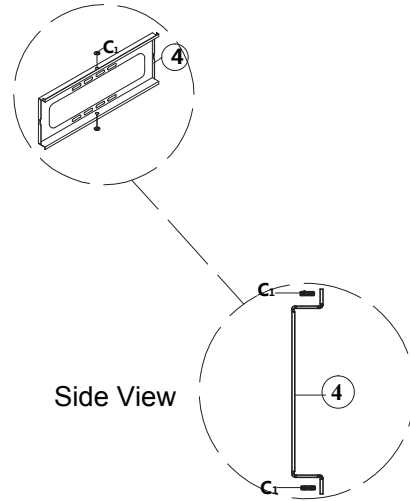
⚠ Please check and select the right height holes before assembling.



⚠ Please don't fully tighten until Step 4 to fix all the screws in the right holes

3

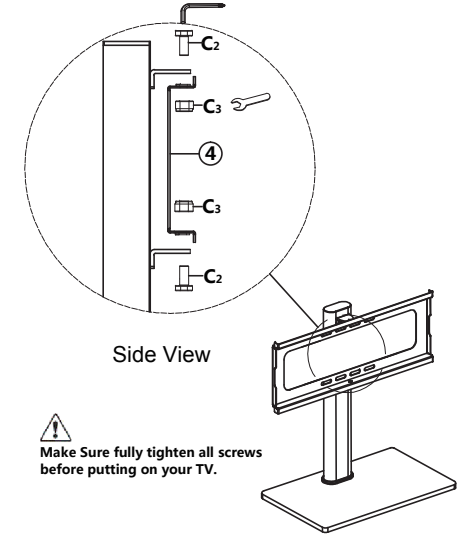
④	C	x1
	C ₁	x2



Side View

4

C	C ₂	x2	E ₁	x1
	C ₃	x2	E	x1



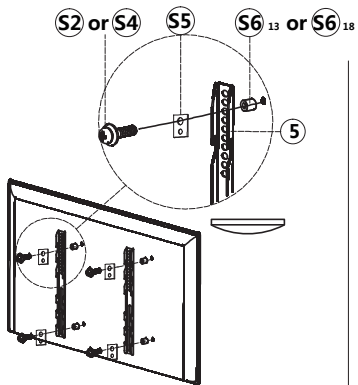
Side View

⚠ Make Sure fully tighten all screws before putting on your TV.

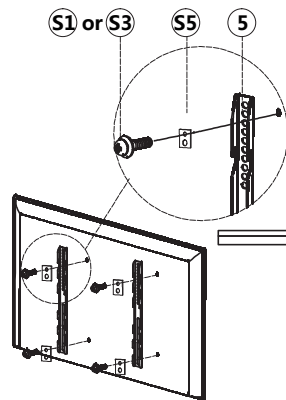
5

⚠ Choose right screws for TV, the screws suit to most of TVs, but not all TVs.

S1	M6X25 x4	S5	Square Washer x4
S2	M6X40 x4	S6	Space 18X22 x4
S3	M8X25 x4		Space 13X17 x4
S4	M8X45 x4	5	x2

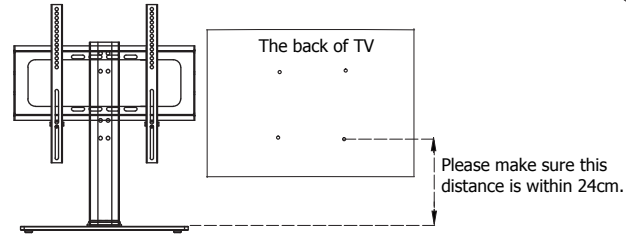


Curved or Recessed TV



Flat Panel TV

6

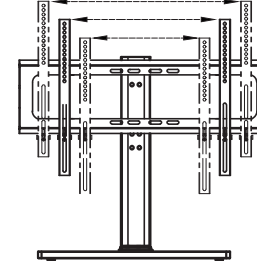
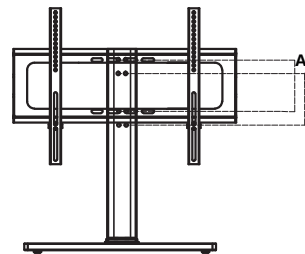


The back of TV

Please make sure this distance is within 24cm.

⚠ The back support offer 2 height options for TVs

⚠ The mount hook offer 3 height options for TVs



7

G	G ₁	x1	D	D ₁	x2
	G ₂	x1		D ₂	x2
	G ₃	x1		D ₃	x2

