



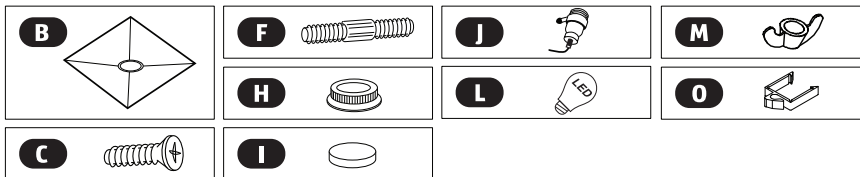
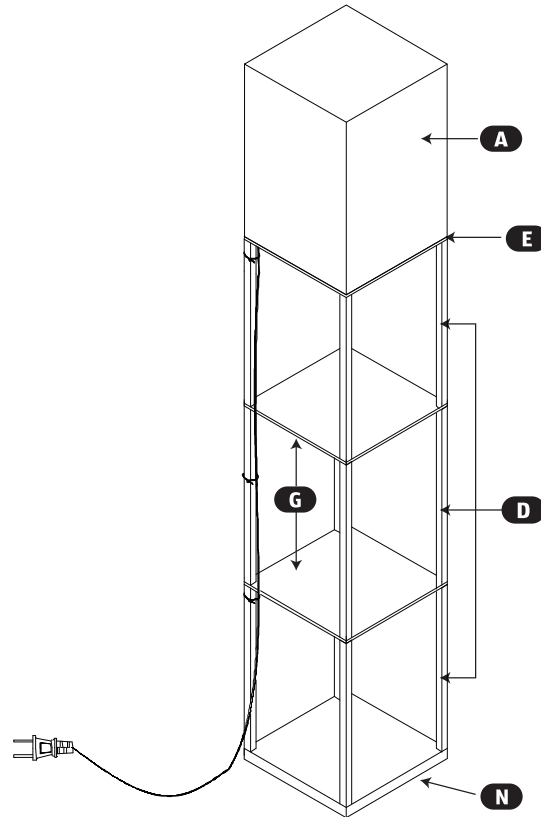
# ASSEMBLY INSTRUCTIONS

MODEL: LAMP-FLOOR-SF-3017-C-WA

TOOLS REQUIRED: Phillips-head screwdriver needed for assembly (not included)

## Parts List

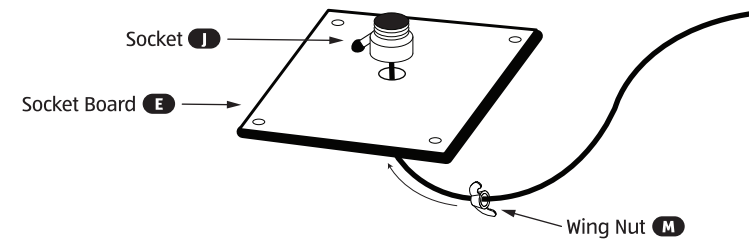
- A** Shade
- B** Shade Frame
- C** Phillips Head Screws
- D** Long Poles
- E** Socket Board
- F** Double-Ended Screws
- G** Thin Shelf Boards
- H** Socket Ring
- I** Adhesive Cushions
- J** Socket
- L** LED Light Bulb (not included)
- M** Wing Nut
- N** Thick Base Board
- O** Cord Clips



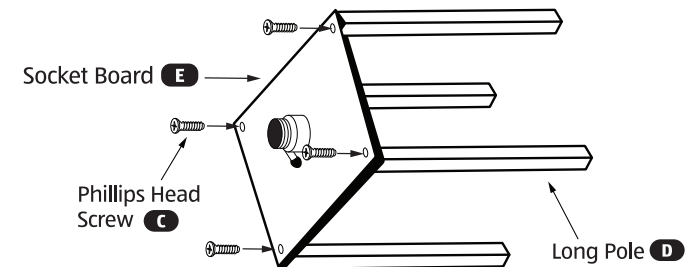
	Description	Qty
<b>A</b>	Shade	1
<b>B</b>	Shade Frame	1
<b>C</b>	Phillips Head Screws	8
<b>D</b>	Long Poles	12
<b>E</b>	Socket Board	1
<b>F</b>	Double-Ended Screws	8
<b>G</b>	Thin Shelf Board	2
<b>H</b>	Socket Ring	1

	Description	Qty
<b>I</b>	Adhesive Cushion	4
<b>J</b>	Socket	1
<b>K</b>	Plastic Nut Cap	1
<b>L</b>	LED Light Bulb (not included)	1
<b>M</b>	Wing Nut	1
<b>N</b>	Thick Base Board	1
<b>O</b>	Cord Clips	3

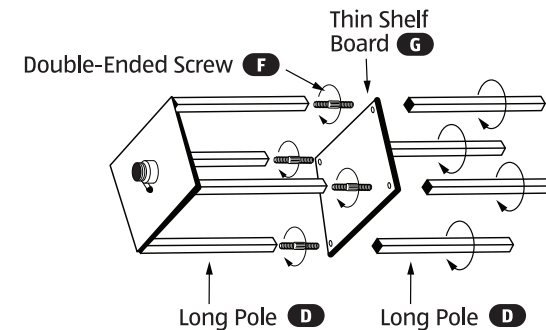
- Place Socket (J) on Socket Board (E) and pull the chain through the hole. Tighten with Wing Nut (M) to secure Socket (J) in place.



- Use 4 Phillips Head Screws (C) to attach 4 Long Poles (D) to the Socket Board (E) on the side opposite of the bulb socket.

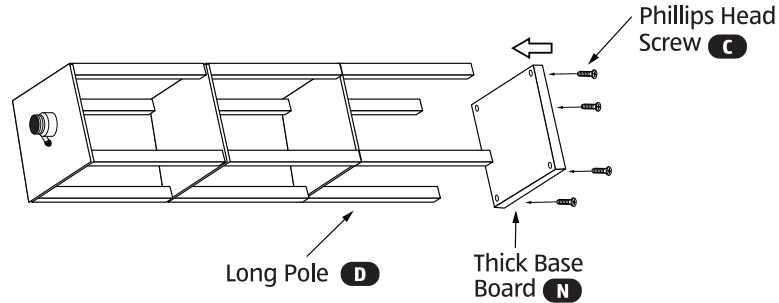


- Tighten 4 Double-Ended Screws (F) on the remaining end of each of the Long Poles (D). Secure a Thin Shelf Board (G) so that one Double-Ended Screw (E) goes through each of the holes of the Thin Shelf Board (G). Hand tighten another 4 Long Poles (D) to secure the Thin Shelf Board (G).

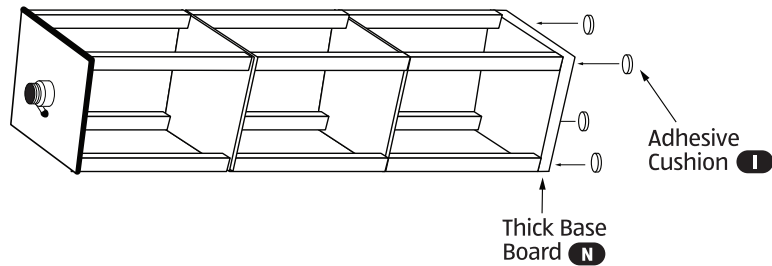


## Assembly Instructions

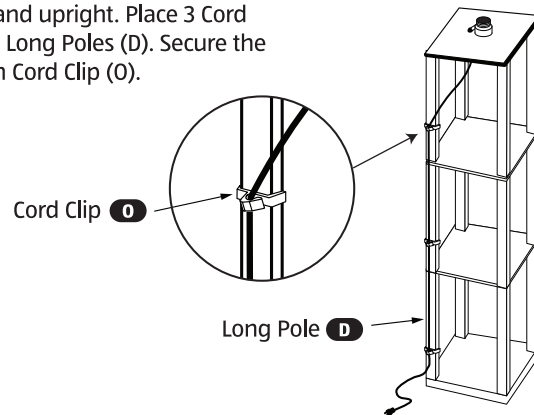
4. Repeat step 4 to assemble the second and third (bottom) tiers. Note: For the bottom tier, use the Thick Base Board (N) in place of the Thin Shelf Board (G) and secure with Phillips Head Screws (C).



5. Place 4 Adhesive Cushions (I) on the bottom surface of the Thick Base Board (N).

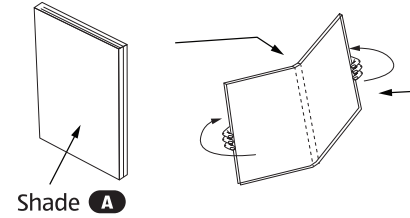


6. Flip the assembled lamp to stand upright. Place 3 Cord Clips (O) down one side of the Long Poles (D). Secure the cord through the hook of each Cord Clip (O).

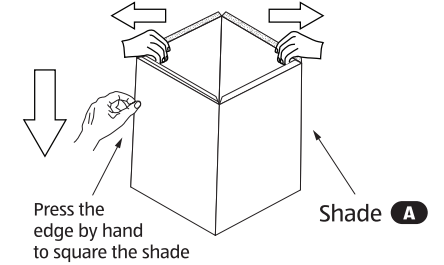


## Assembly Instructions

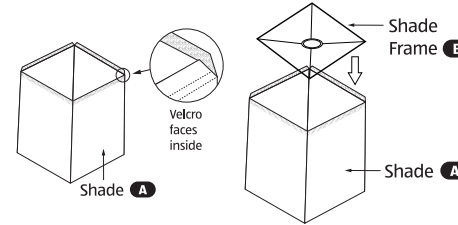
7. To begin assembling the Shade (A), unfold and fold it to the opposite side and press for a few seconds.



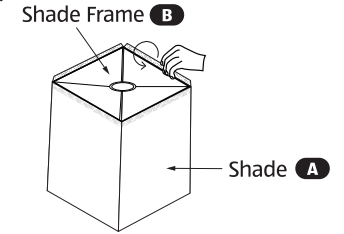
8. Extend the Shade (A).



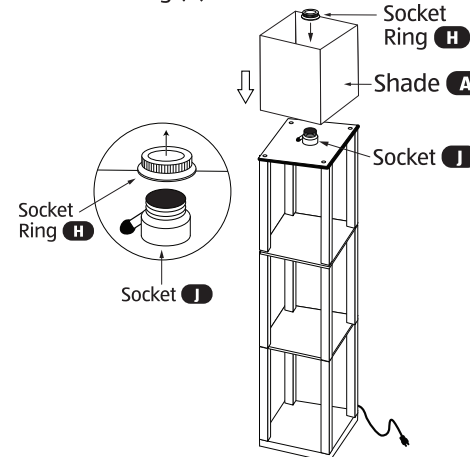
9. Release the hook and loop strips. Put the Shade Frame (B) into the upper side of Shade (A).



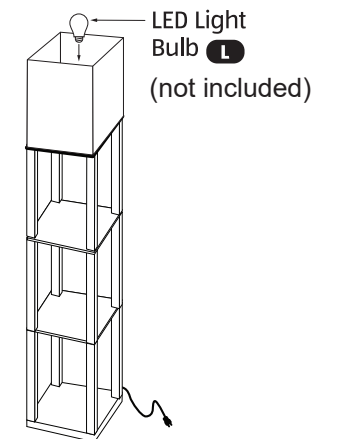
10. Wrap up 4 sides of hook and loop strips over the Shade Frame (B) to adhere it to the Shade (A).



11. Remove the Socket Ring (H). Turn Shade (A) so Shade Frame (B) is at the bottom. Place assembled Shade (A) onto the Socket (J). Secure Shade (A) by attaching the Socket Ring (H).



12. Screw LED Light Bulb (L) into Socket. Plug lamp into outlet. Turn on and off with pull chain.



**CAUTION:**  
Max weight capacity is 5 pounds (2.3 kg) per shelf.