

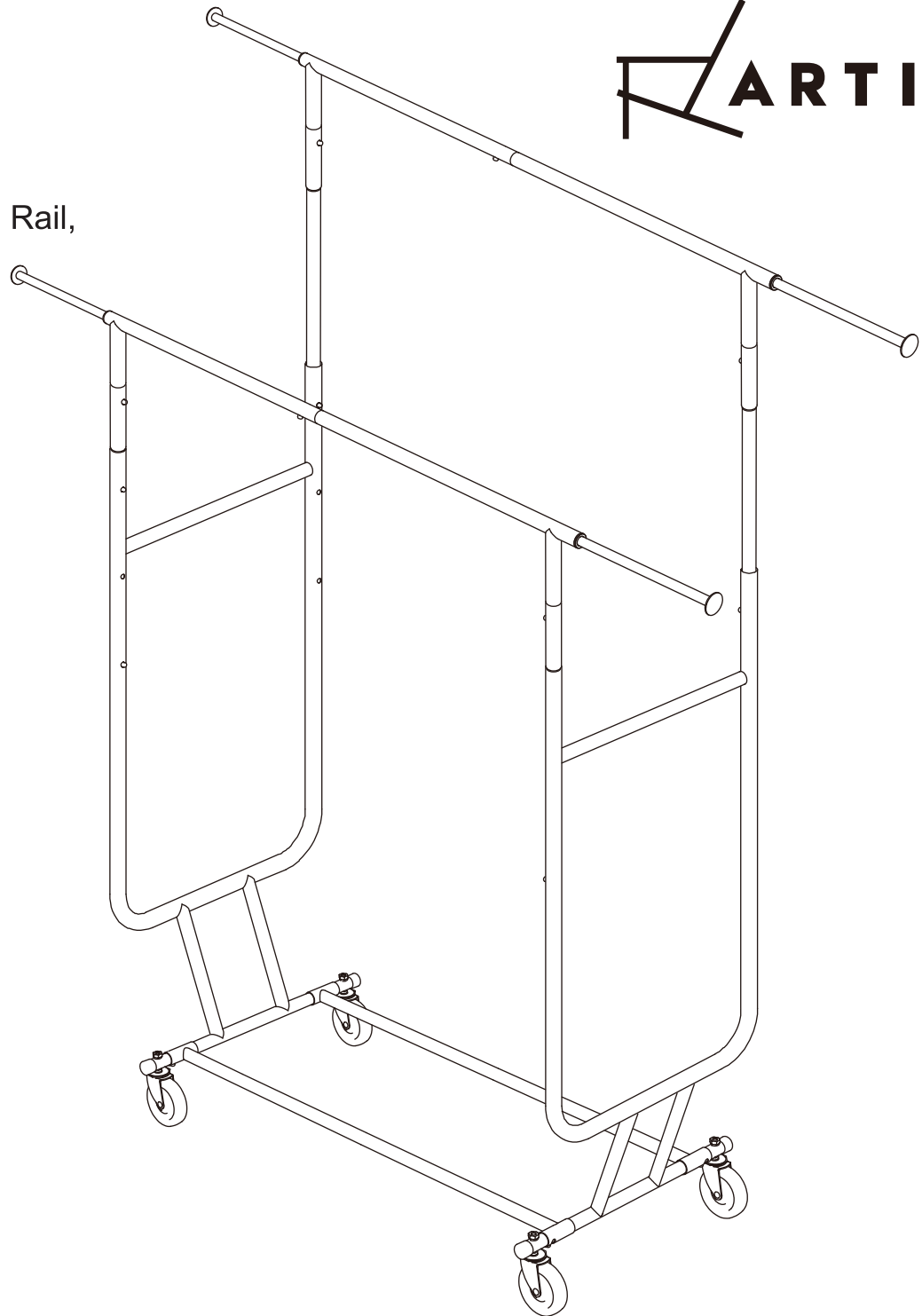
Double Rail Garment Rack Hanger

SKU# Hanger-1955A-D-SI

Max. Load capacity: No more than 50kg for each Rail,
total no more than 100kg for stationary state and
total no more than 60kgs for dynamic & moving.

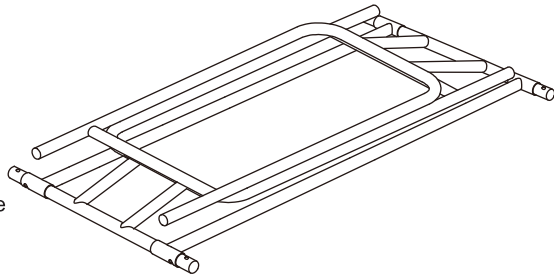
Use of the environment: Indoor, Warm and Dry

Made in China



Component List

A x1
Bottom frame

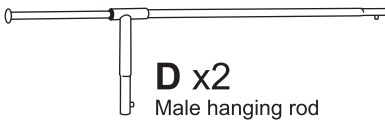


B x4
End cap

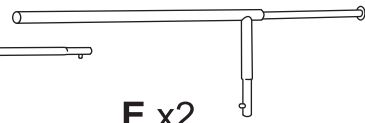
(Maybe is assembled on the A.)



C x4
Center pole



D x2
Male hanging rod



E x2
Female hanging rod



F x4
Wheel

NOTE: 2 of the wheels have locking mechanisms.



G x4
17mm Nut



H x4
Lock washer



I x1
Wrench

Assembly Time:
Less than 15 minutes.

This product's intended use is for hanging garments.

Tools Needed: No additional tools required.
Wrench (I) provided.

STEP 1. Install the four end caps (B) onto the ends of the bottom frames (A) (Maybe is assembled).

STEP 2. Insert the two center poles (C) into the ends of (A). Insert the male and female hanging rods (D & E) together. Insert (D & E) assembly into the top of the center poles (C).

STEP 3. Insert the wheels (F) into the bottom of the assembled garment rack. Insert each locking washer (H), then each nut (G). Tighten each nut with the wrench (I).

