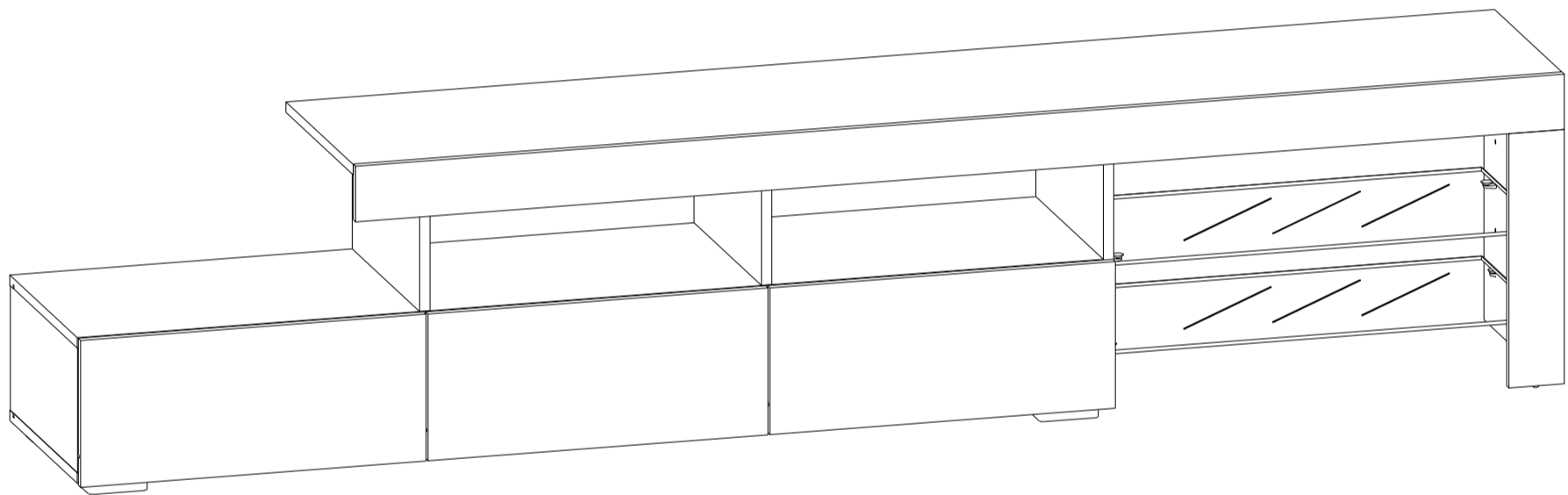


FURNI-Q-LED-TV215-WH/BK/WD



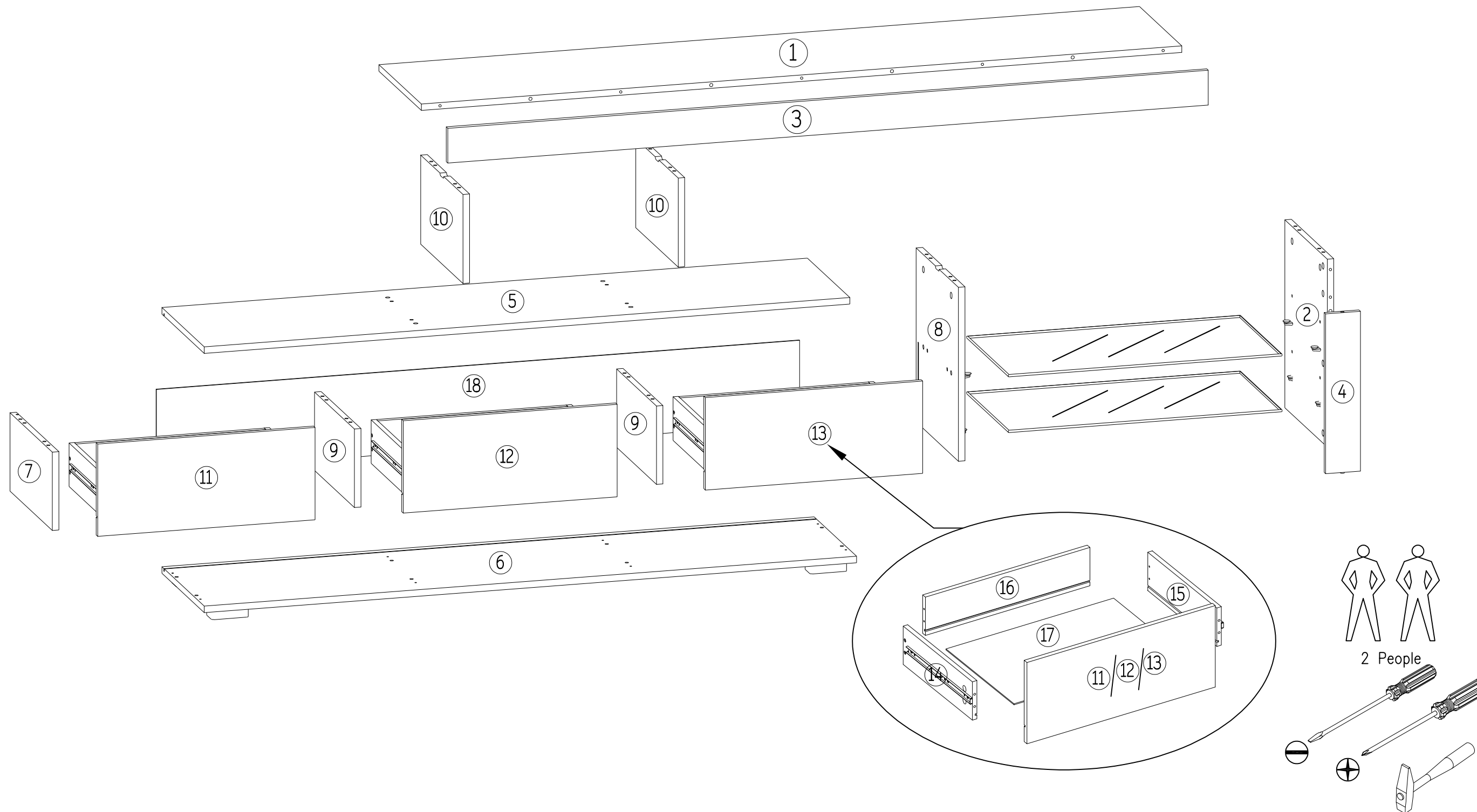
WARNING




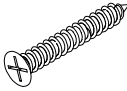


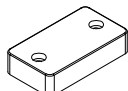


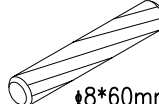

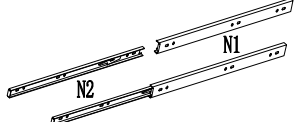

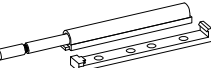

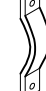



THIS PRODUCT CONTAINS A BUTTON BATTERY
If swallowed, a lithium button battery can cause severe or fatal injuries within 2 hours.
Keep batteries out of reach of children.
If you think batteries may have been swallowed or placed inside any part of the body, seek immediate medical attention.



Warning instructions:

1. Assembly should to be carried out by a competent adult only.
2. Regularly check all parts firmly fixed to ensure the furniture for safe use.
3. Wipe clean only.
4. The warning sticker on the furniture is a mandatory requirement in Australia, and it can be removed by wet cloth.



									
±6*38mm	±15*11mm	±8*40mm	ST3.5*35mm	ST3.5*12mm	ST4*25mm				±8*60mm
B 20 PCS	C 20 PCS	D 27 PCS	E 20 PCS	F 38 PCS	G 10 PCS	H 5 PCS	J 21 PCS	K 21 PCS	L 4 PCS
									
M 3 PCS	N 6 PCS		P 8 PCS	Q 3 PCS	R 4 PCS	S 1 PCS	T 2 PCS	W 2 PCS	U 1 PCS
							ST3*12mm		LED TAPE

Assembly checklist



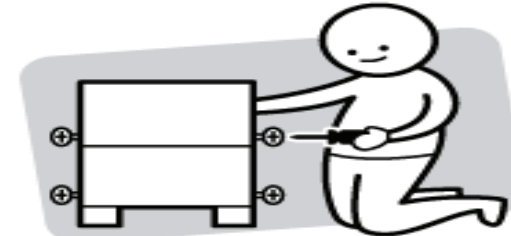
Read through the instructions carefully before you begin.



Make sure you have all the required tools. Do not use power tools.



Identify and lay out all of the components before you begin assembly.



Do not fully tighten all screws until step/ process finished.

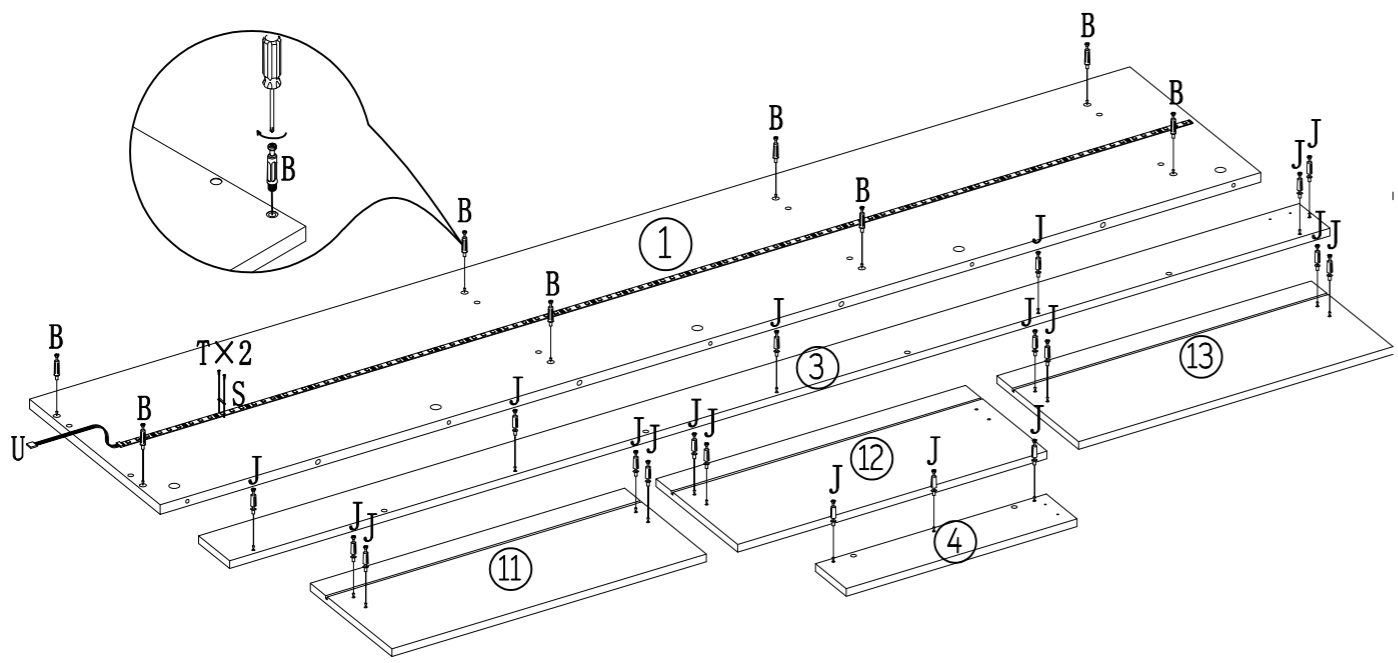
Useful Information

! Never use power tools, they can damage your components or hardware if used incorrectly.

! The most common mistakes made during assembly are using the wrong hardware or getting components back to front.

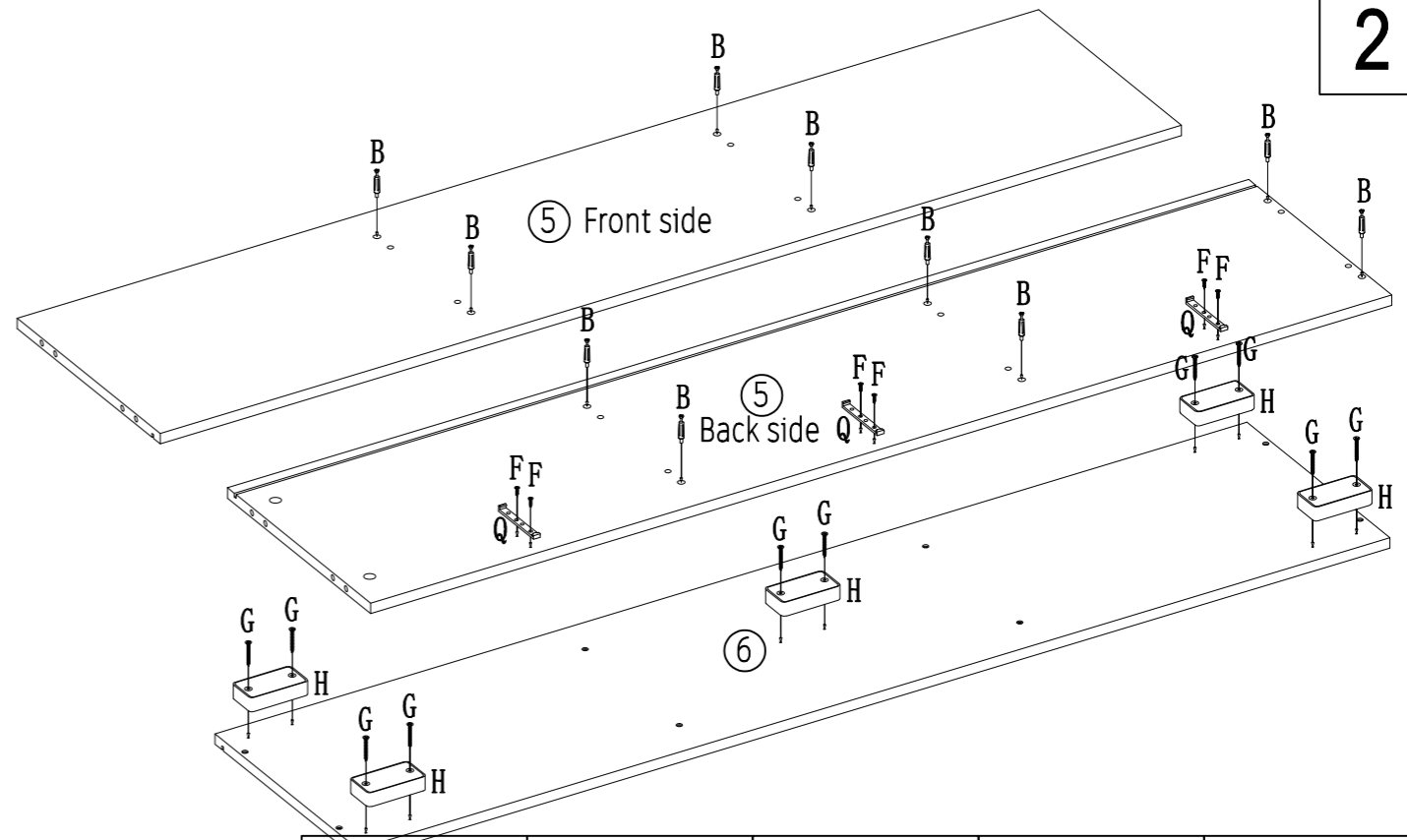
! Always use a soft surface (such as carpet or cardboard) when assembling your product to avoid scratching or damaging the surface of the product.

1



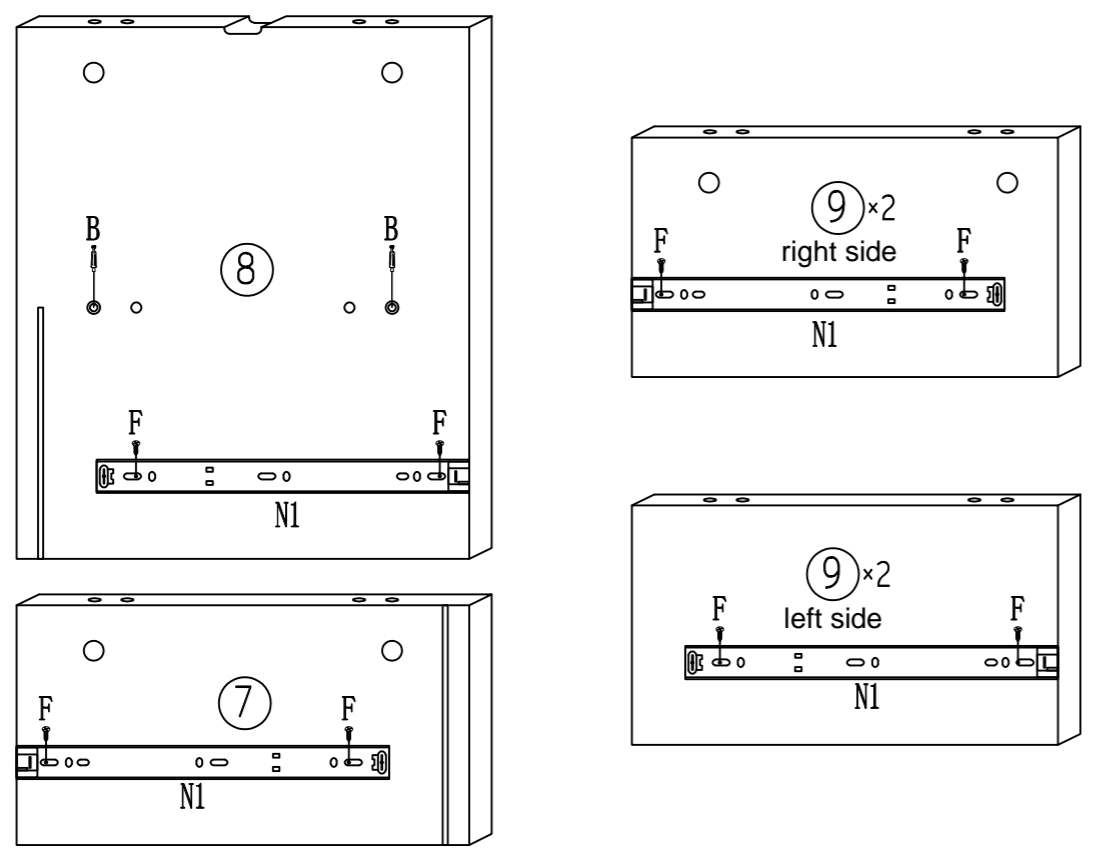
±6*38mm			ST3*12mm	
B	8 PCS	J	21 PCS	S
			T	2 PCS
			U	1 PCS

2



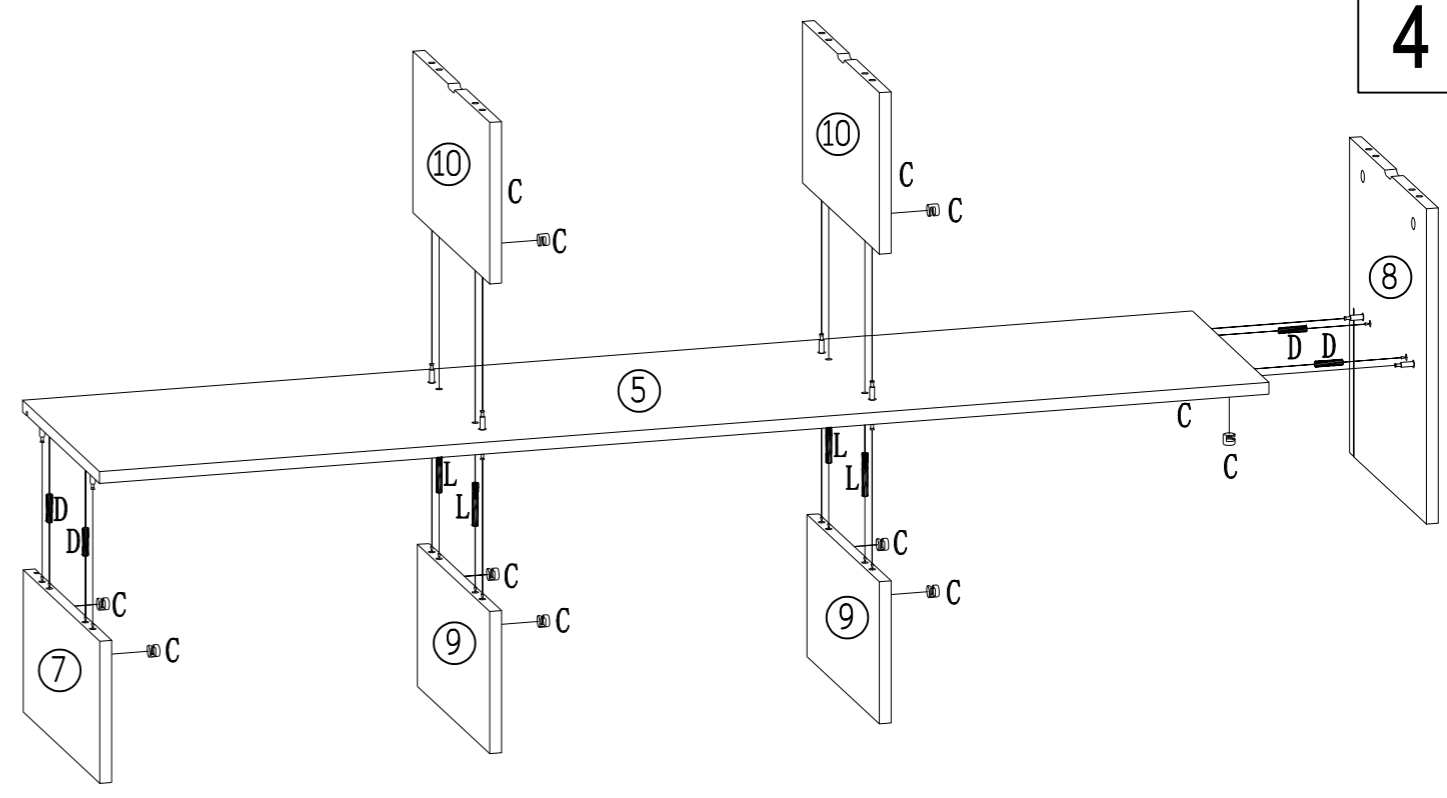
±6*38mm	ST3.5*12mm	ST4*25mm		
B	10 PCS	F	6 PCS	G
			H	5 PCS
				Q
				3 PCS

3

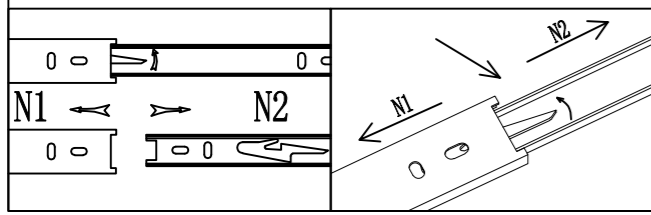


±6*38mm	ST3.5*12mm	
B	2 PCS	F
	12 PCS	F
		6 PCS

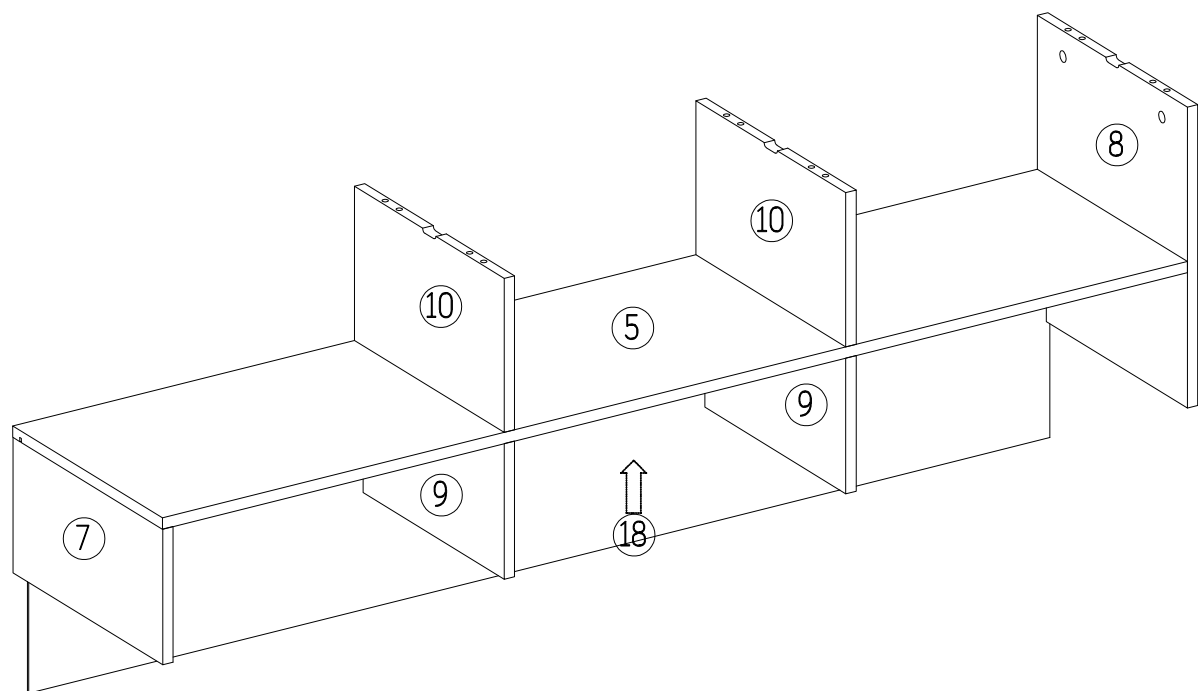
4



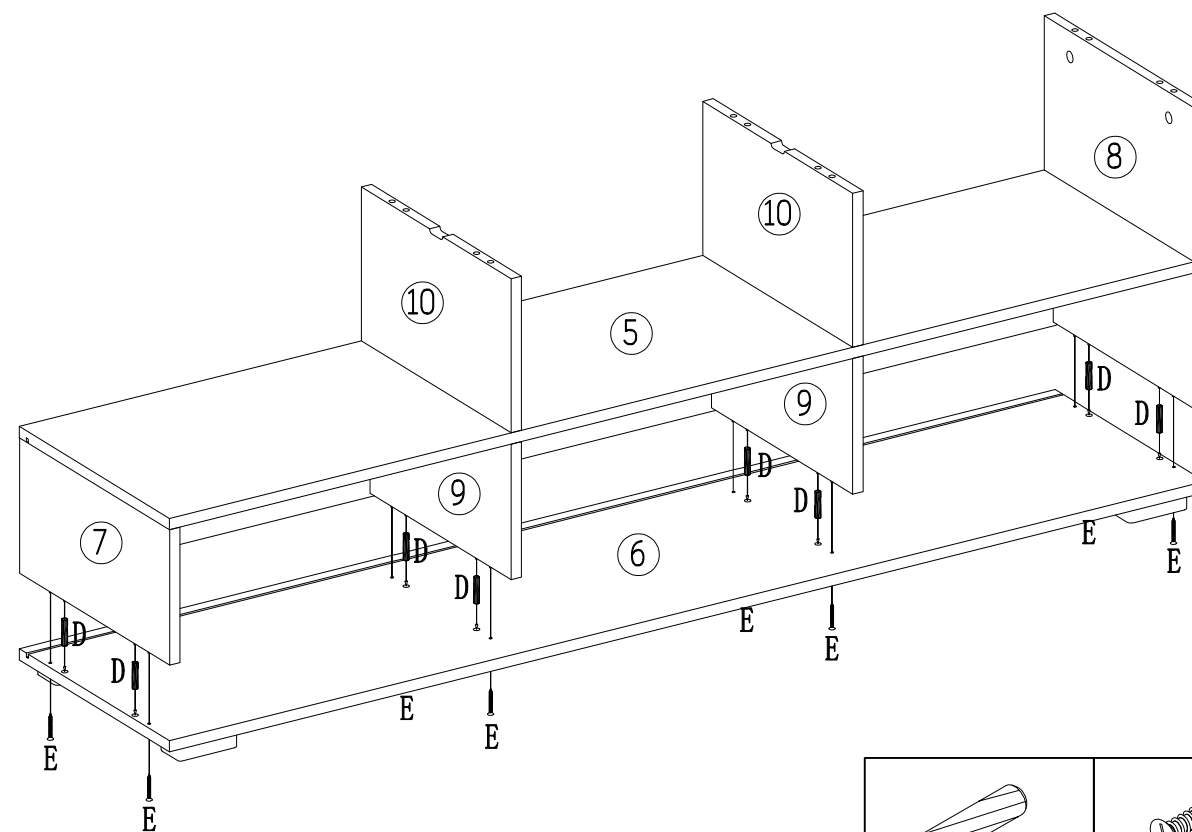
±15*11mm	±8*40mm	±8*60mm
C	12 PCS	D
	4 PCS	L
		4 PCS



5

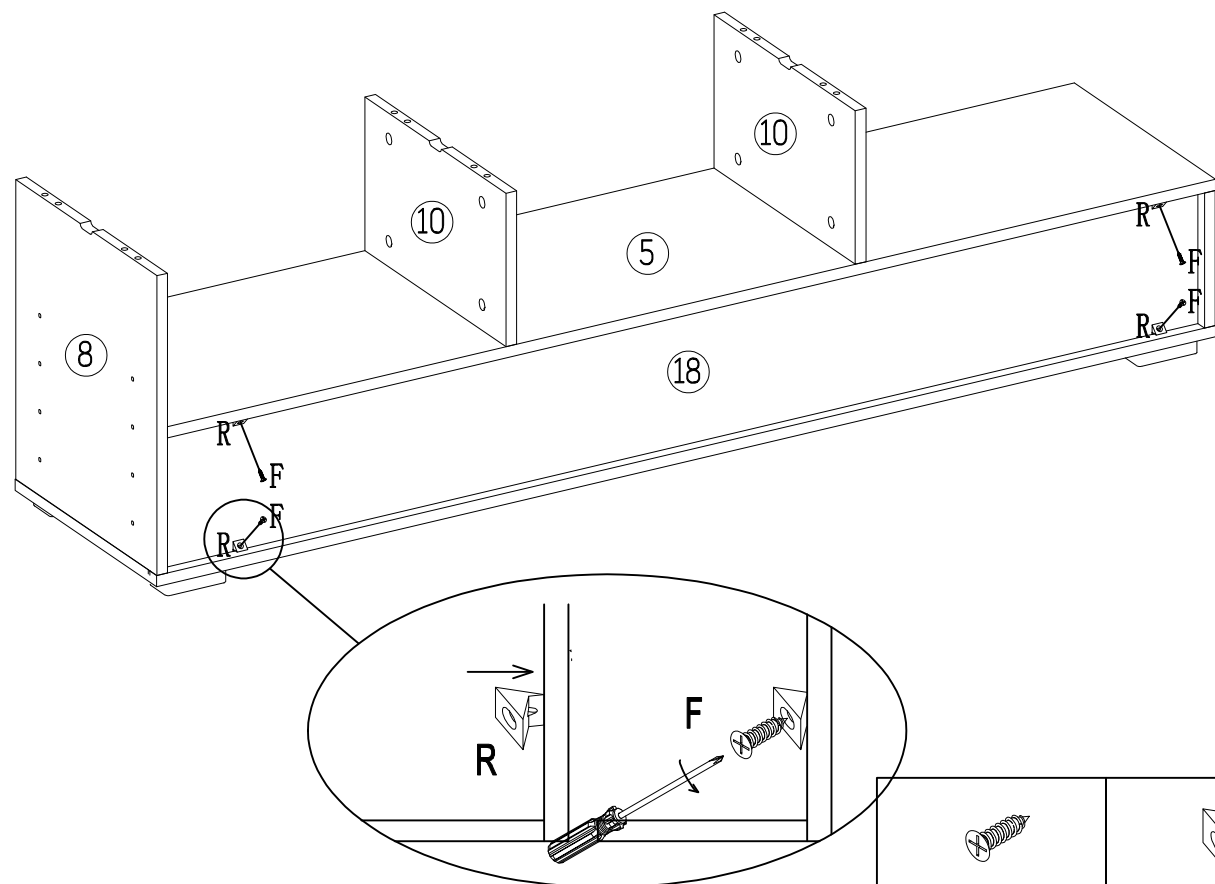


6



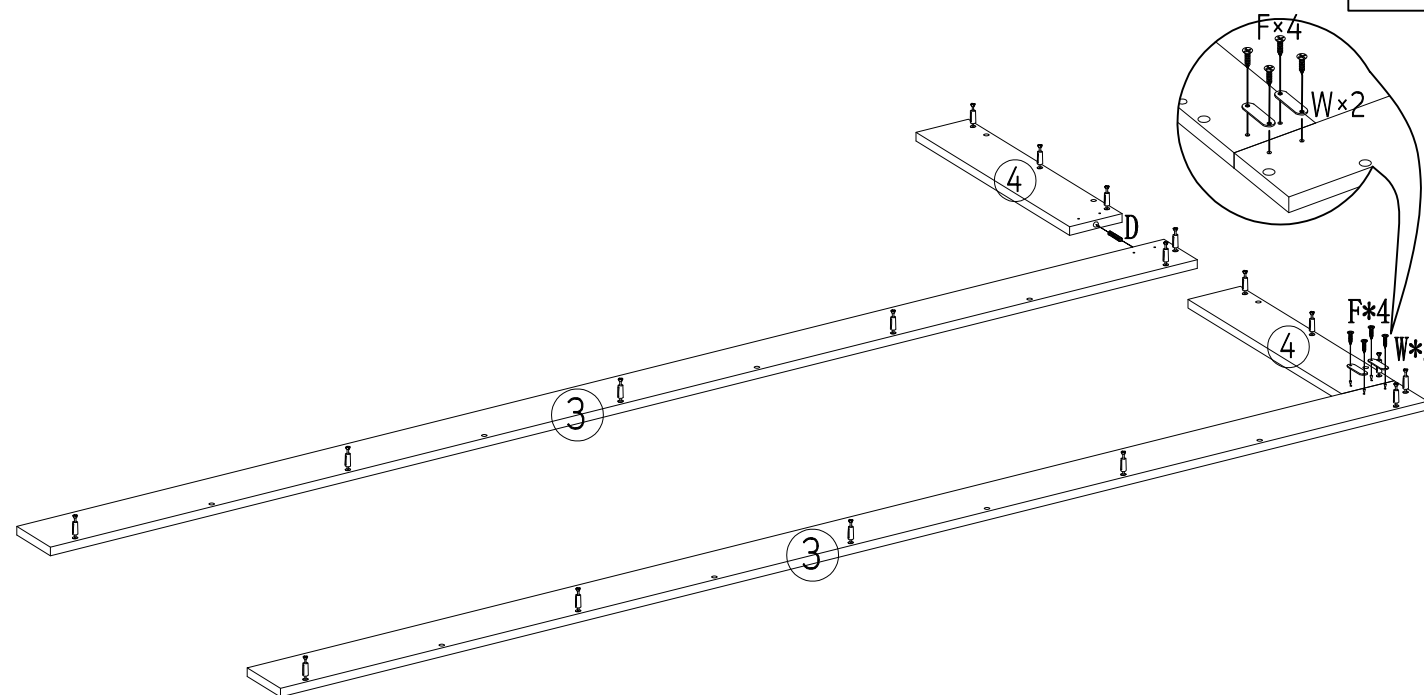
	±8*40mm		ST3.5*35mm
D	8 PCS	E	8 PCS

7



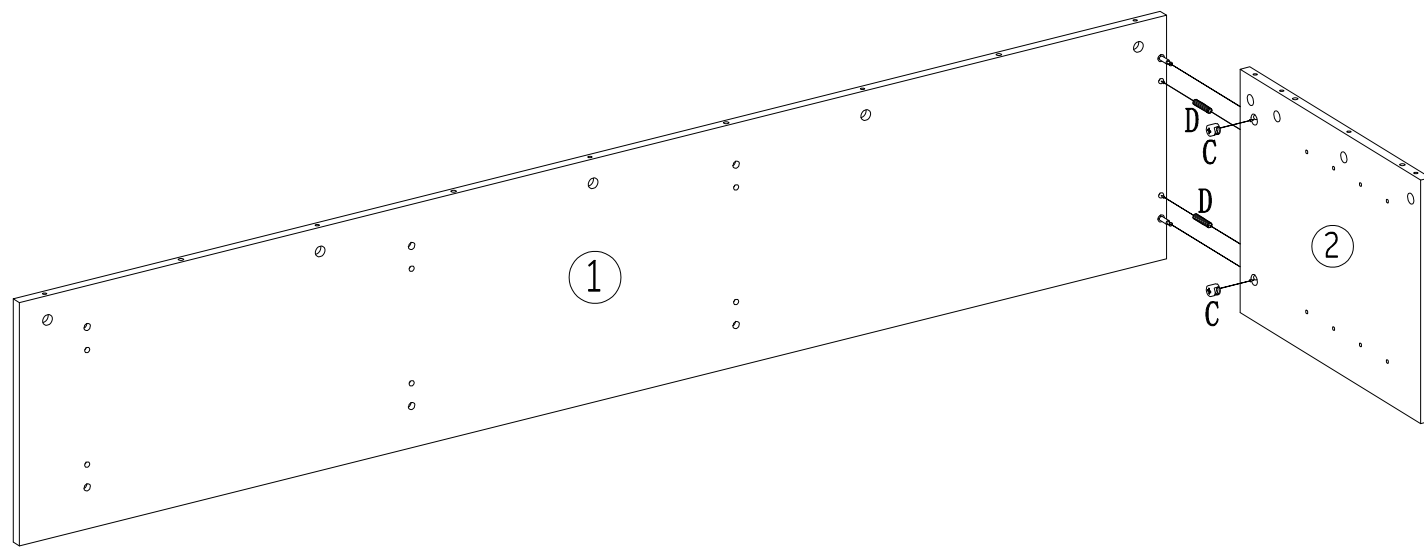
	ST3.5*12mm		
F	4 PCS	R	4 PCS

8



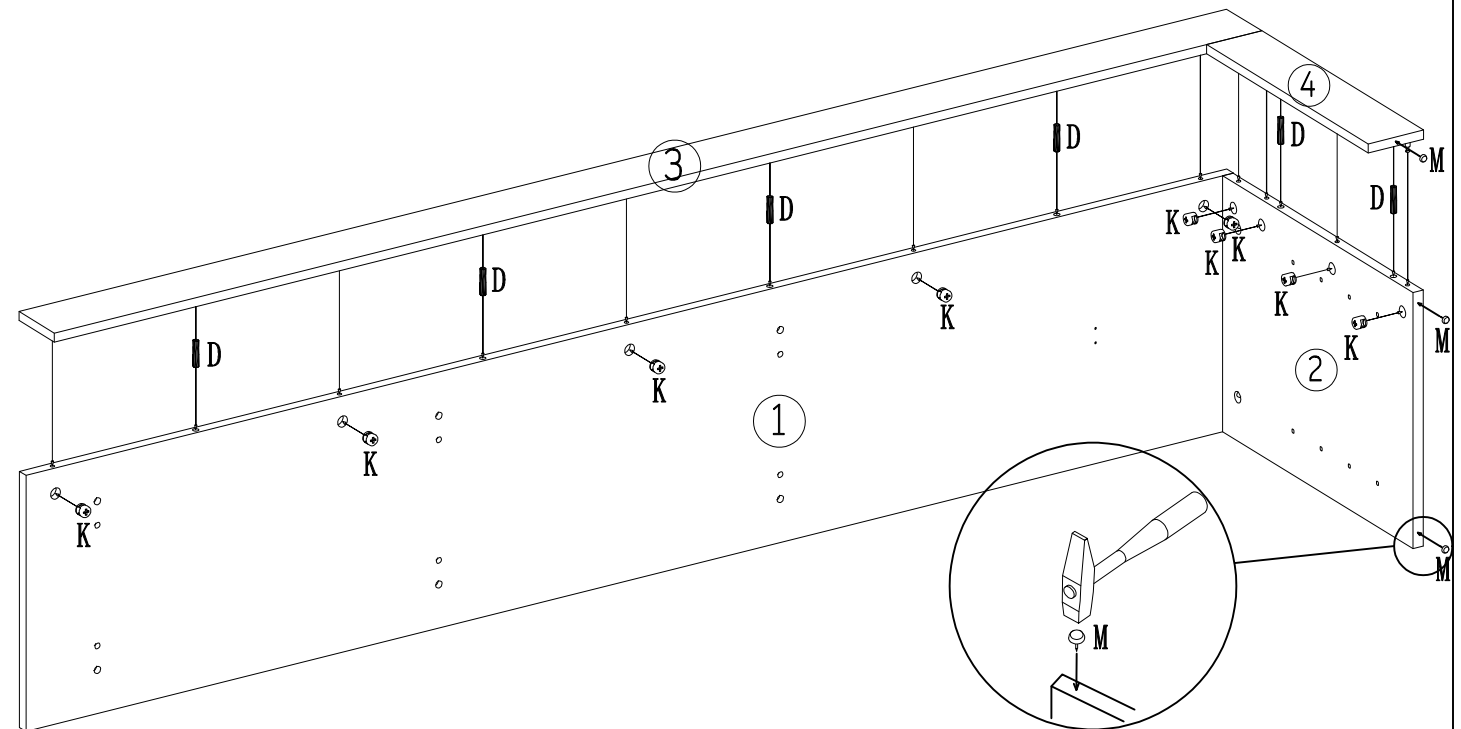
	±8*40mm		ST3.5*12mm		
D	1 PCS	F	4 PCS	W	2 PCS

9



	±15*11mm		±8*40mm
C	2 PCS	D	2 PCS

10

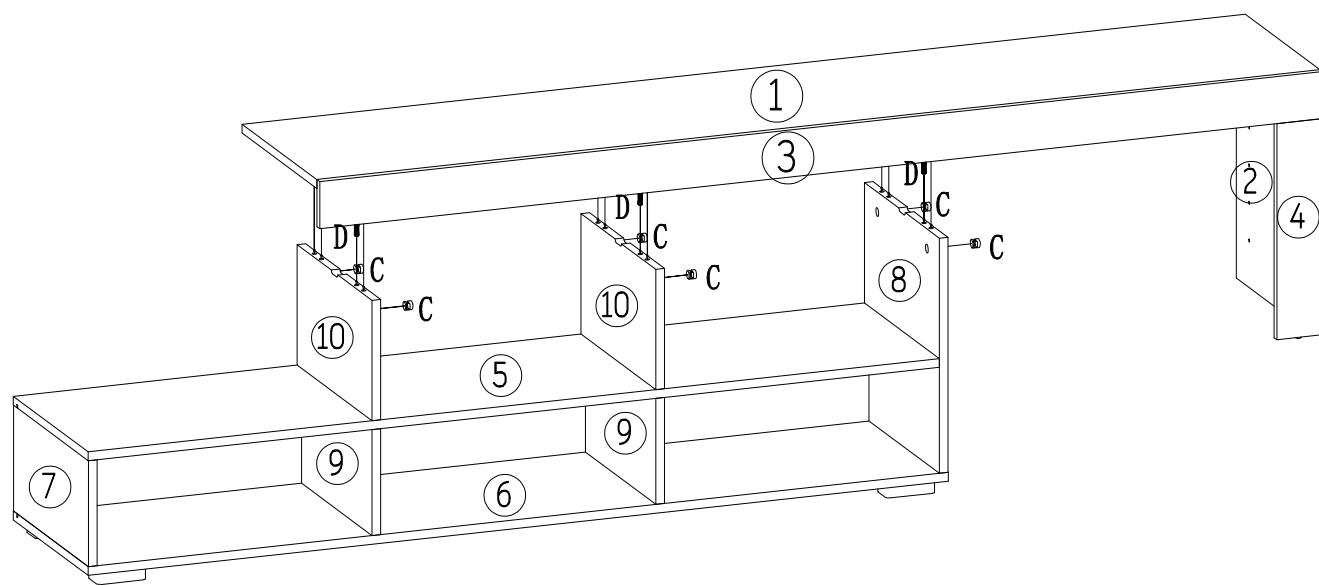


	±8*40mm				
D	6 PCS	K	9 PCS	M	3 PCS

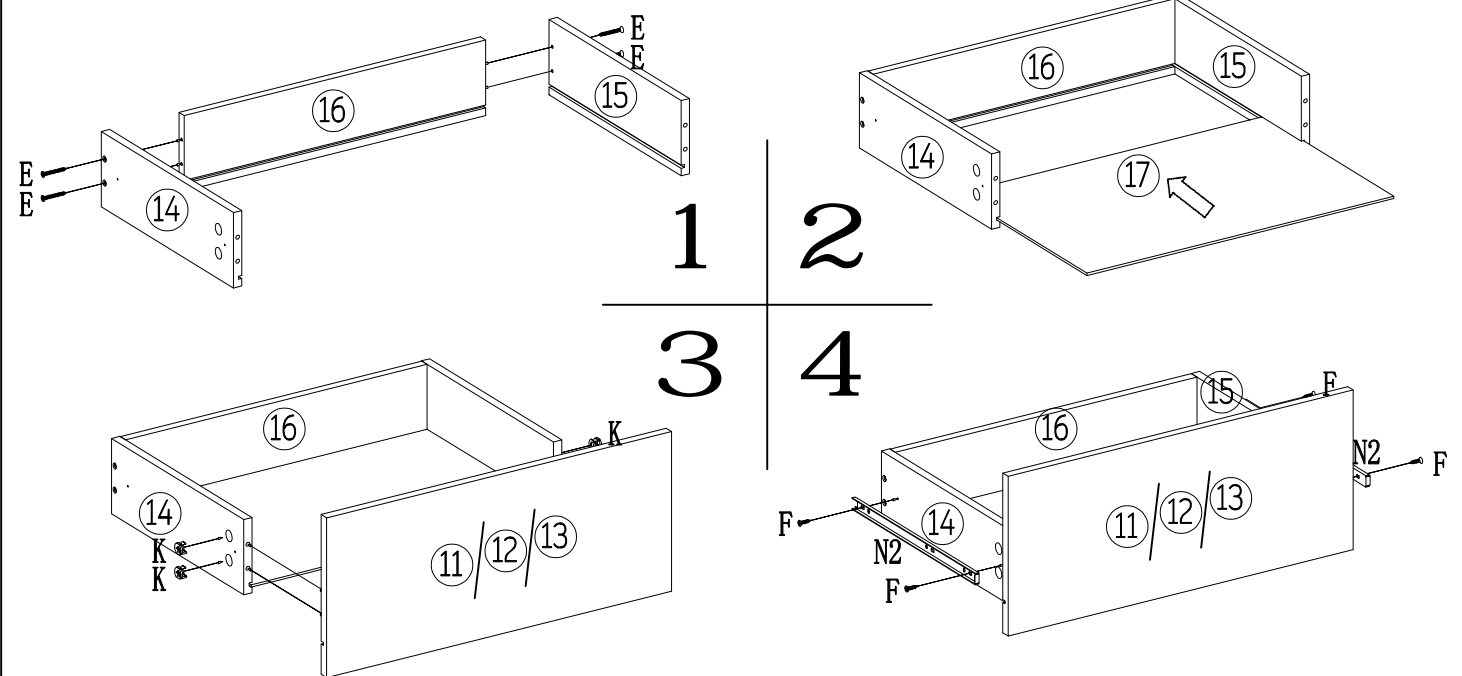
11

3 Drawers

12

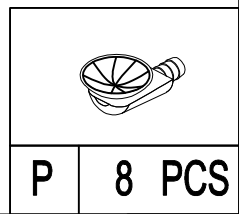
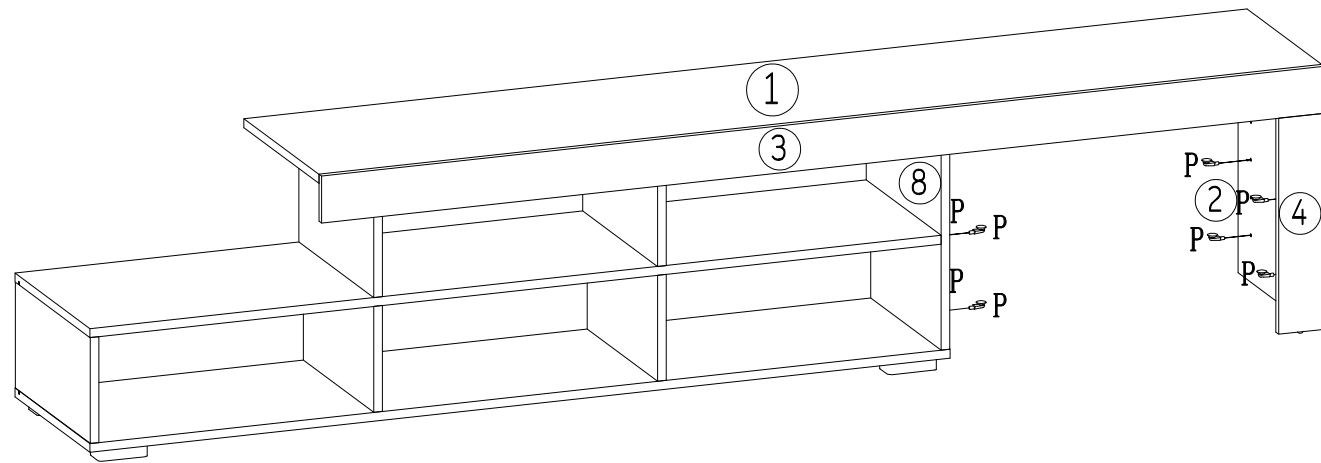


	±15*11mm		±8*40mm
C	6 PCS	D	6 PCS

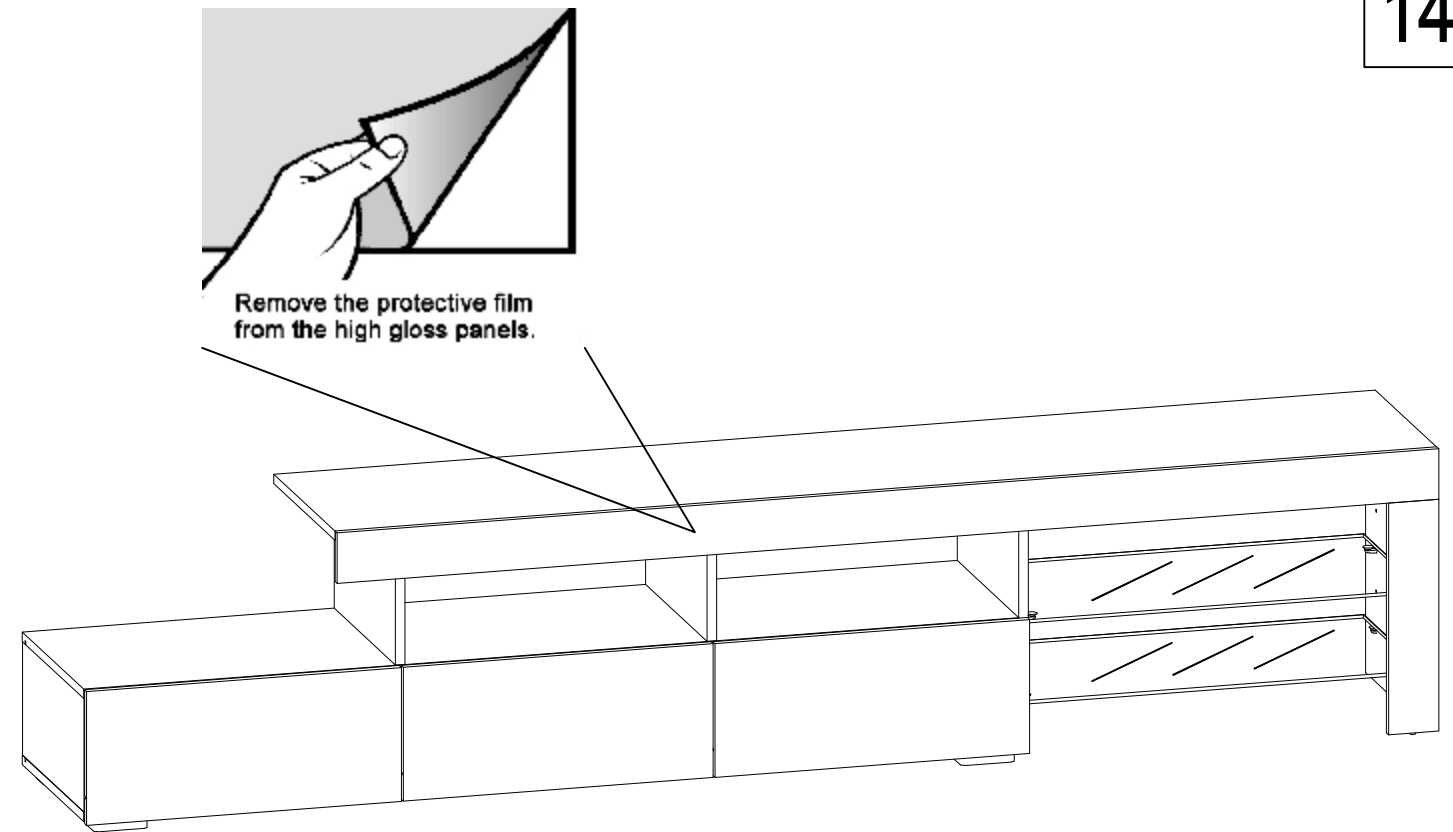


	ST3.5*35mm		ST3.5*14mm				N2
E	12 PCS	F	12 PCS	K	12 PCS	N	6 PCS

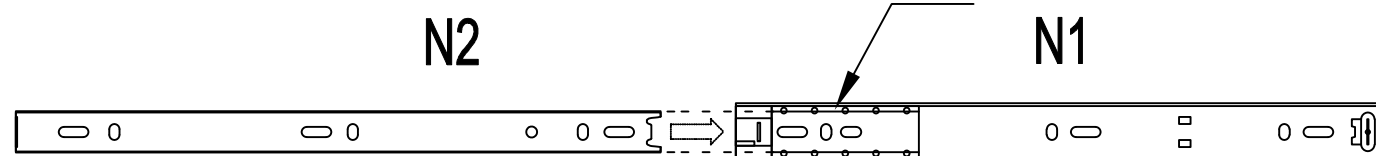
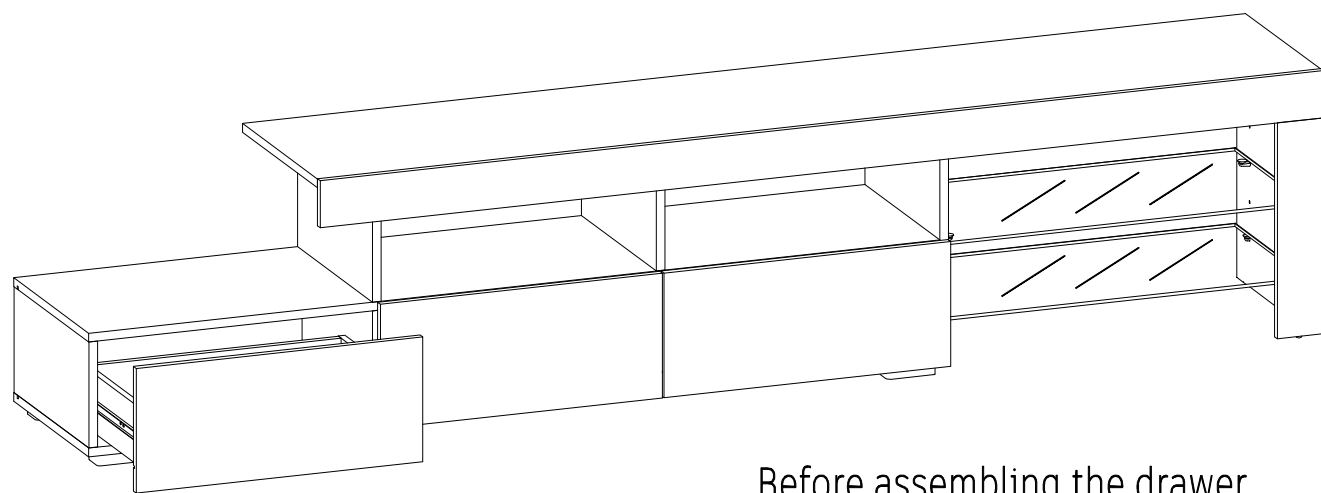
13



14



15

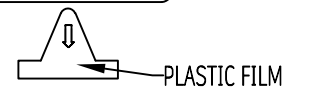
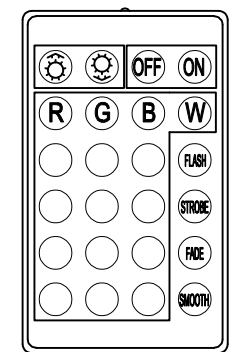


16

LED LIGHTS TROUBLESHOOTING

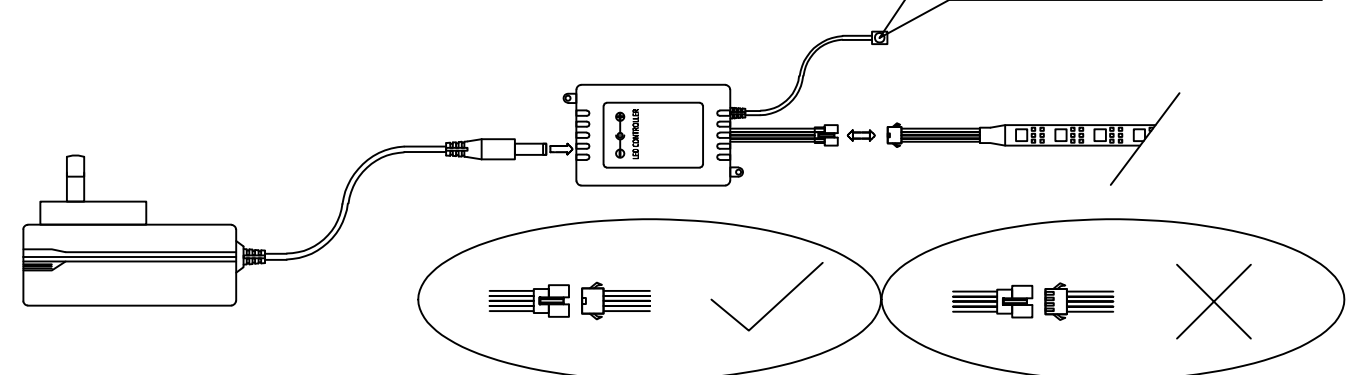
If the LED lights are not working successfully, please check the following:

1. Check the facing of the connectors and ensure that they are as shown in the illustration.
2. Check the remote controller. Remove the plastic film before use.
3. Make sure that the remote controller is within the range of the receiver, and that the transmission signal is not obstructed.



Remove the plastic film from the remote controller.

Please do not block the infrared receiver.



Check the facing of the connectors and ensure that they are aligned correctly.