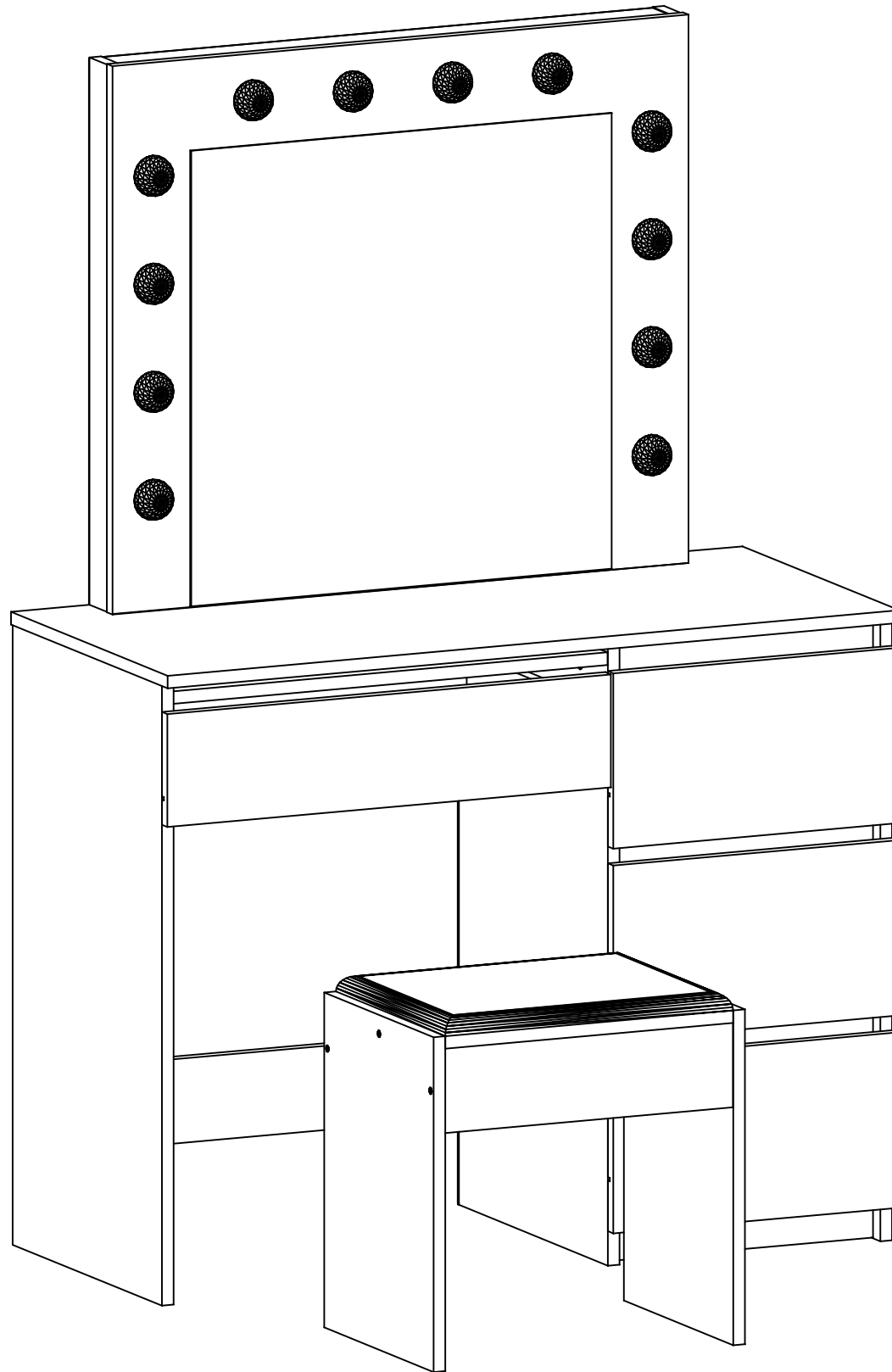
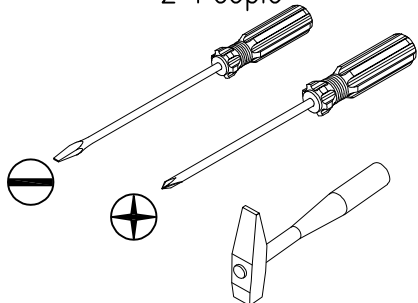
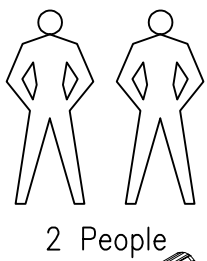
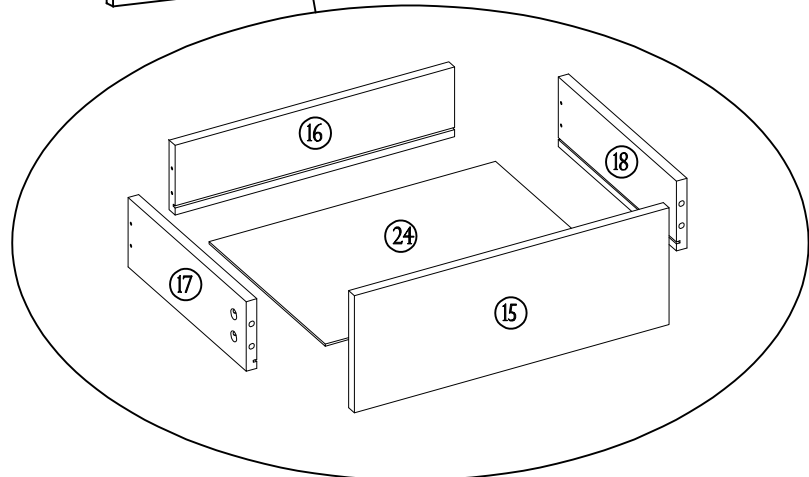
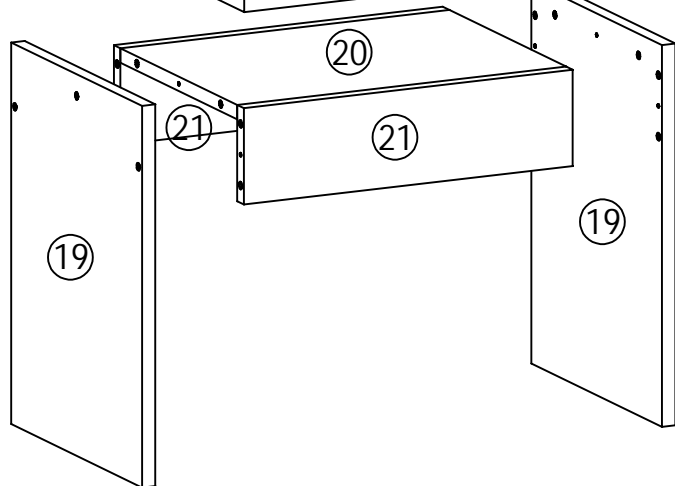
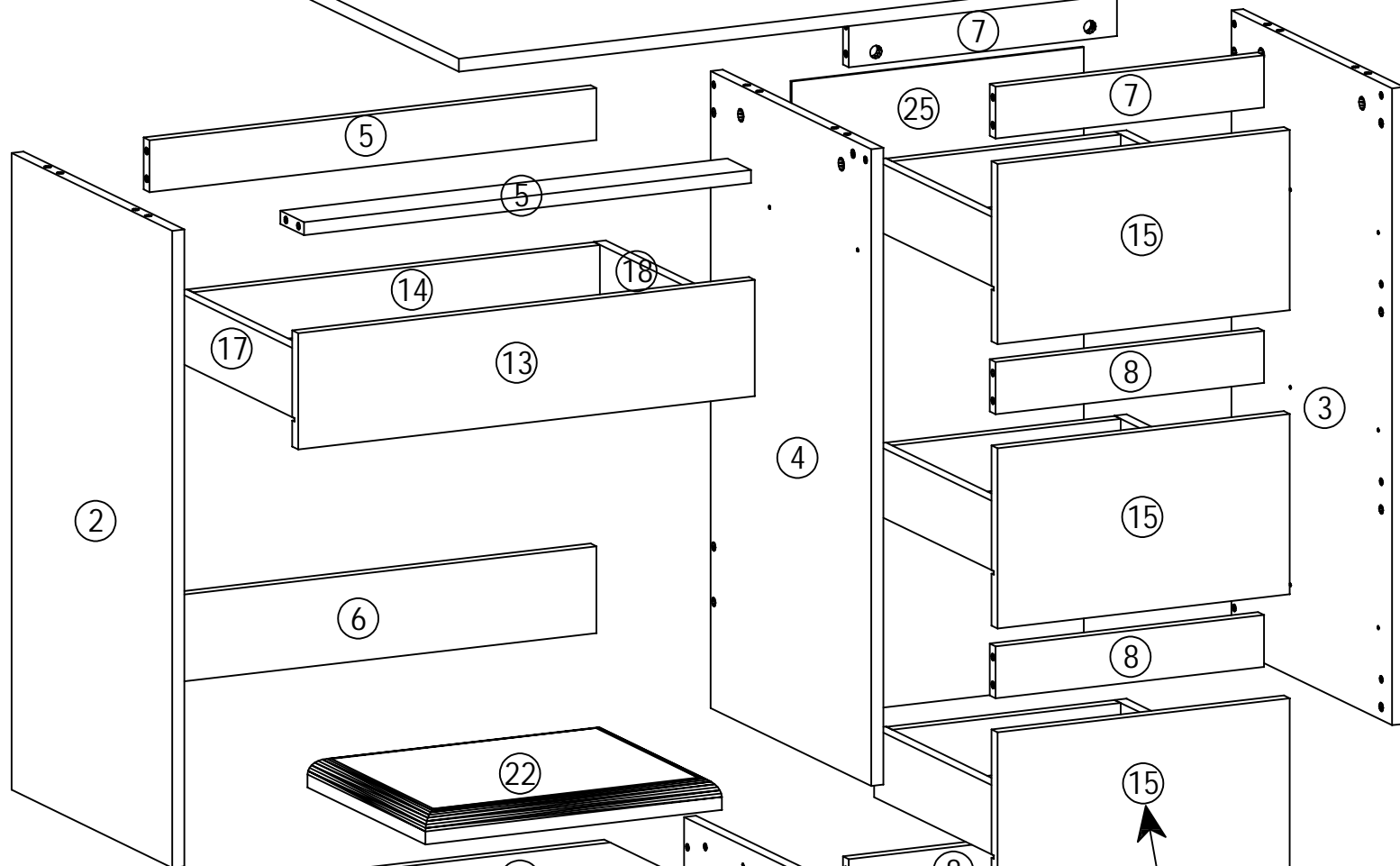
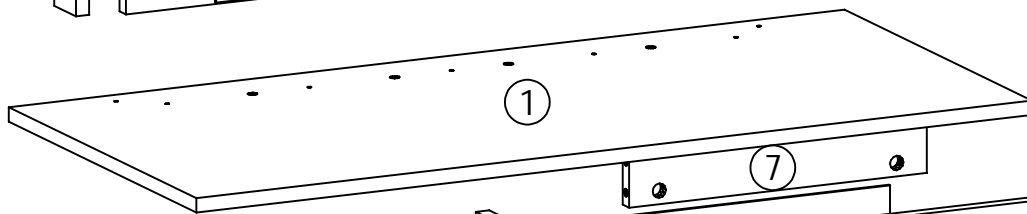
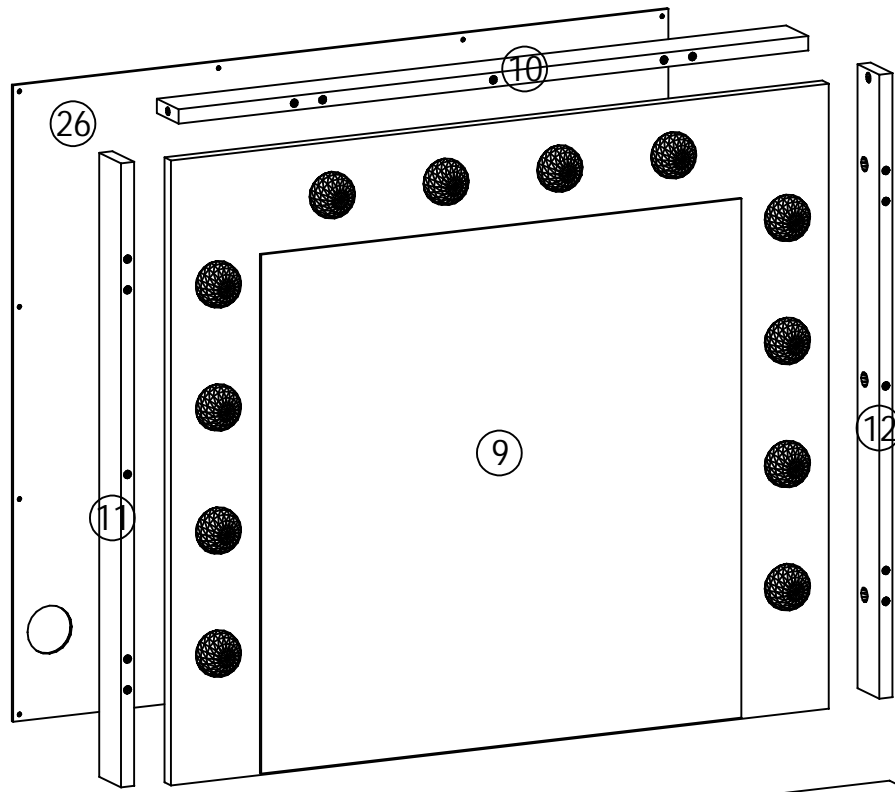


# FURNI-Q-DRESS01-LED-WH



## Warning instructions:

1. Assembly should to be carried out by a competent adult only.
2. Regularly check all parts firmly fixed to ensure the furniture for safe use.
3. Wipe clean only.
4. The warning sticker on the furniture is a mandatory requirement in Australia, and it can be removed by wet cloth.



♠6*38mm	♠15*11mm	♠8*40mm	ST3.5*35mm	ST3.5*14mm		ST3*12mm							
B	53 PCS	C	53 PCS	D	44 PCS	E	31 PCS	F	34 PCS	G	10 PCS	H	20 PCS

			♠8*60mm					♠12mm					
J	4 PCS	K	2 PCS	L	2 PCS	M	1 PCS	N	4 PCS	P	6 PCS	Q	1 PCS

# Assembly checklist



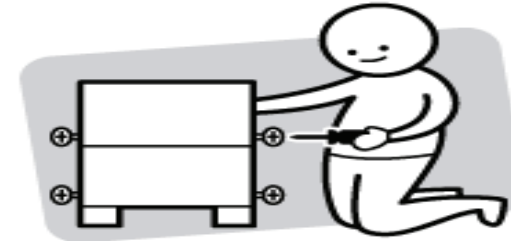
Read through the instructions carefully before you begin.



Make sure you have all the required tools. Do not use power tools.



Identify and lay out all of the components before you begin assembly.



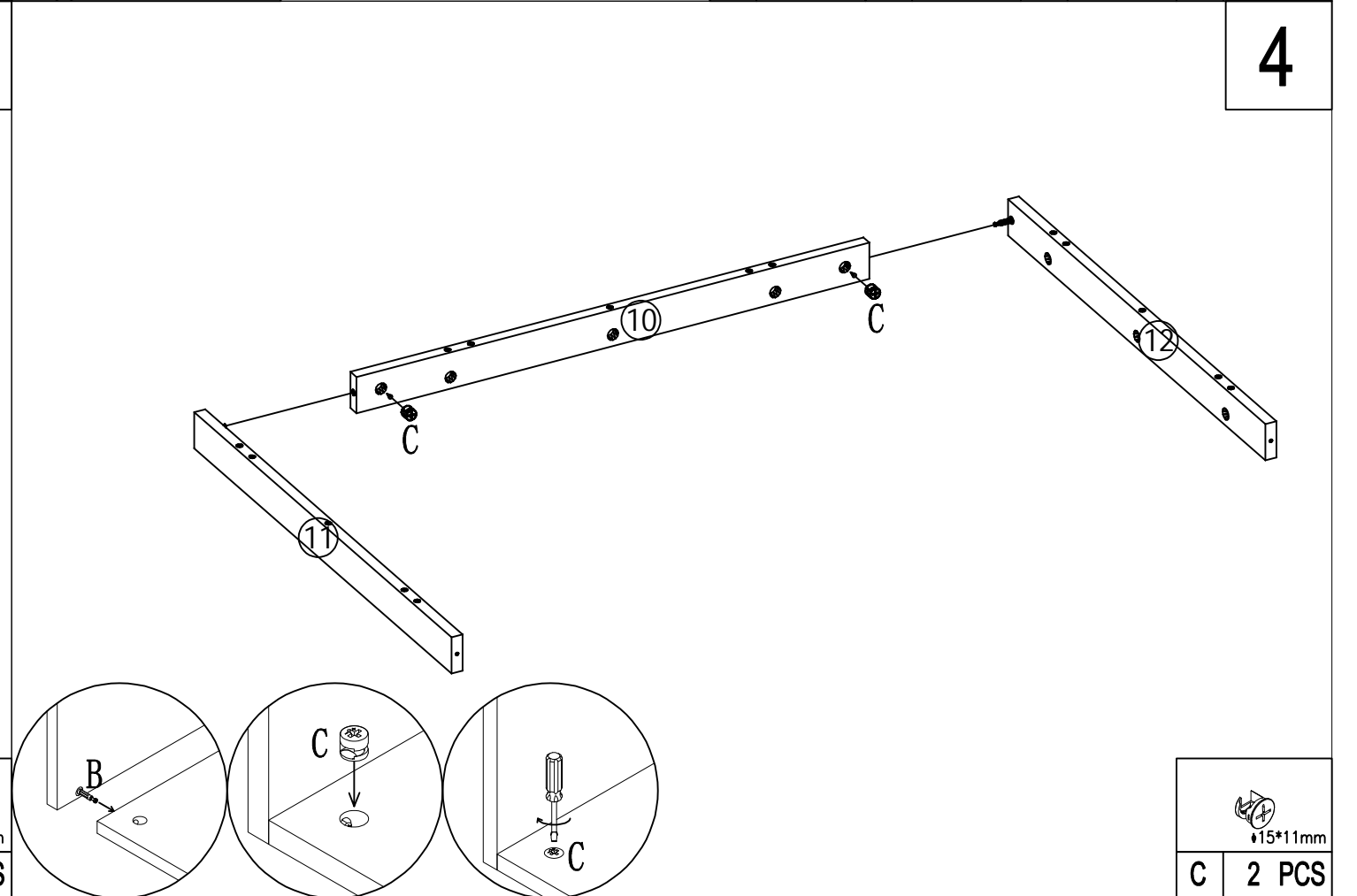
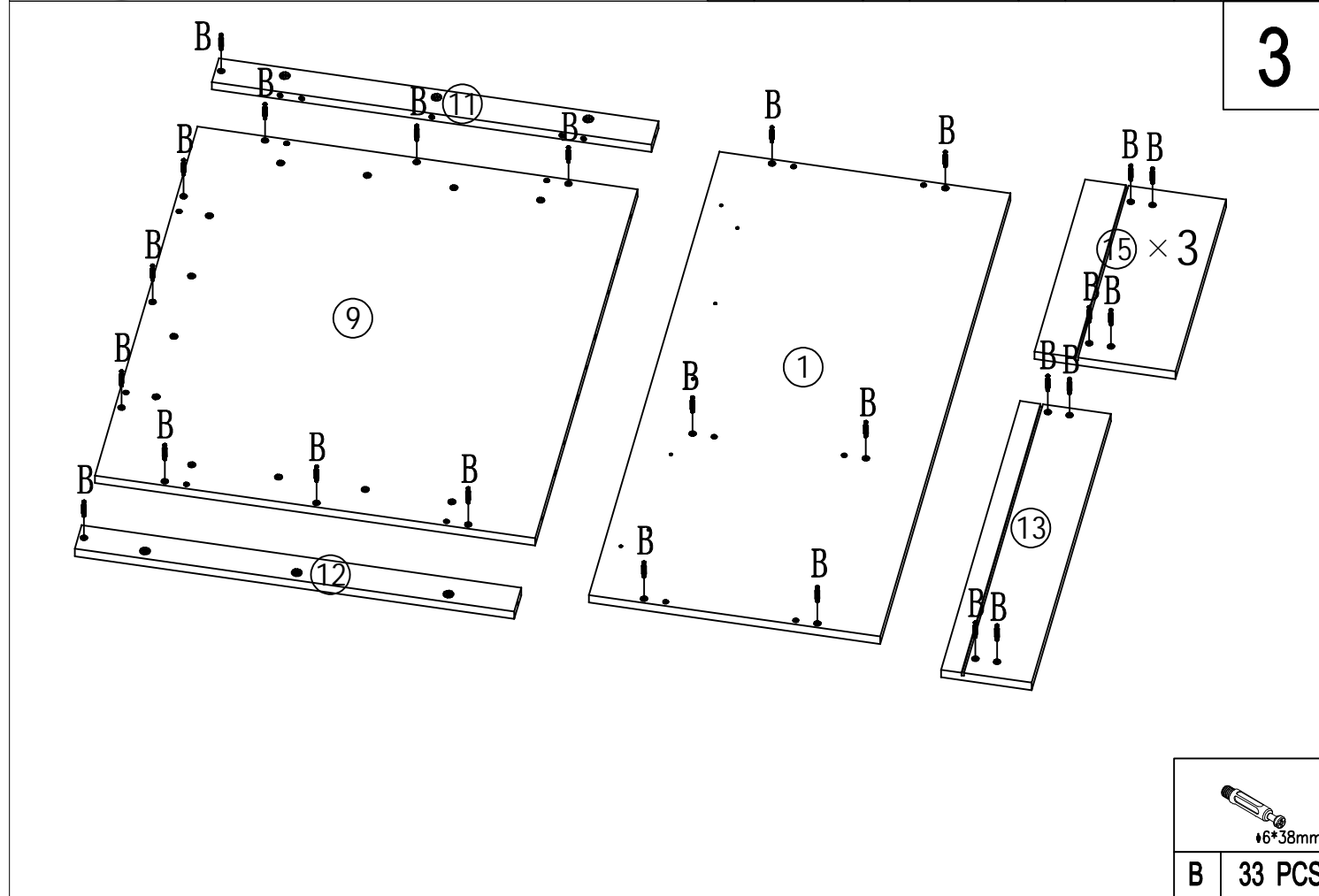
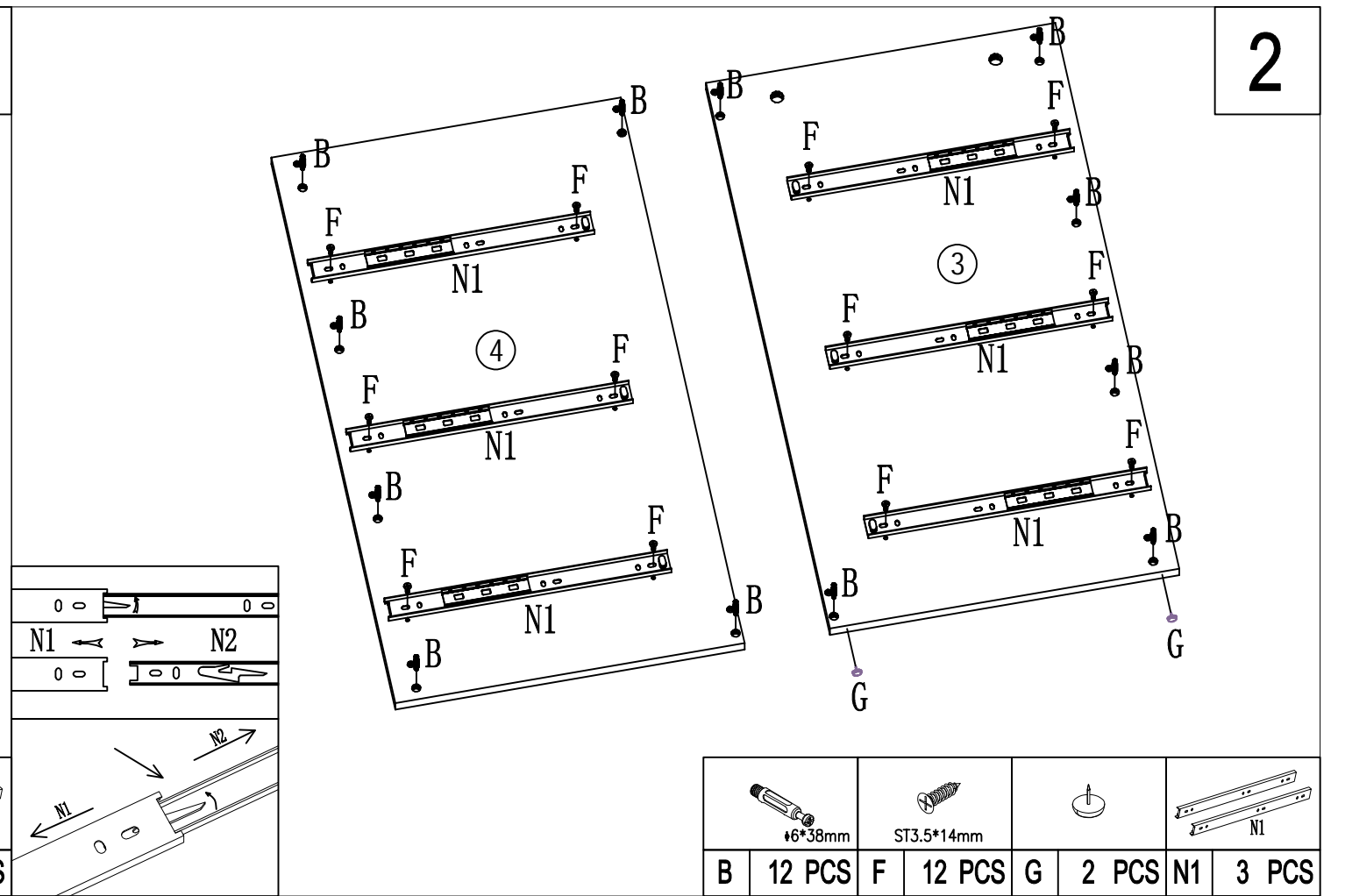
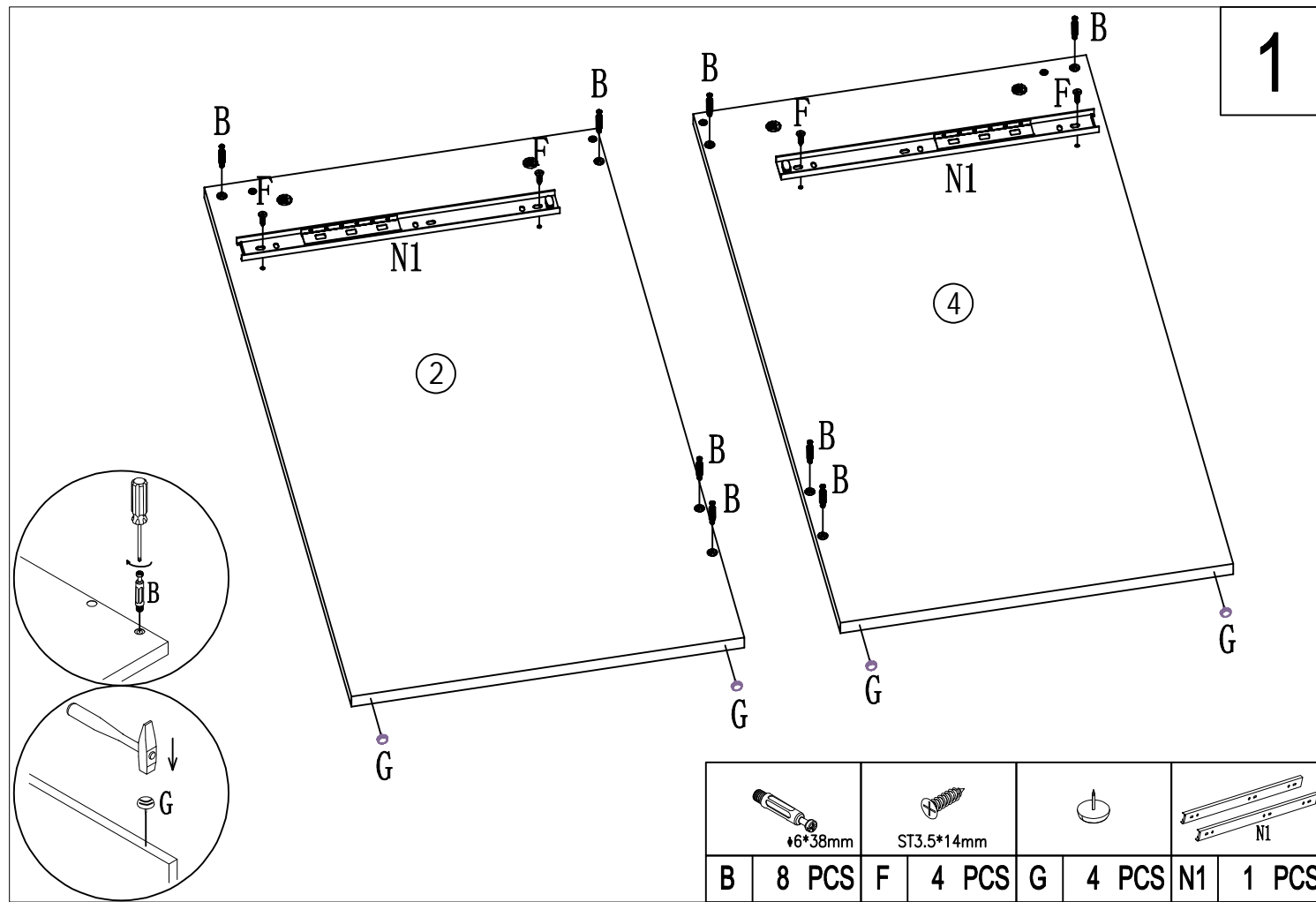
Do not fully tighten all screws until step/ process finished.

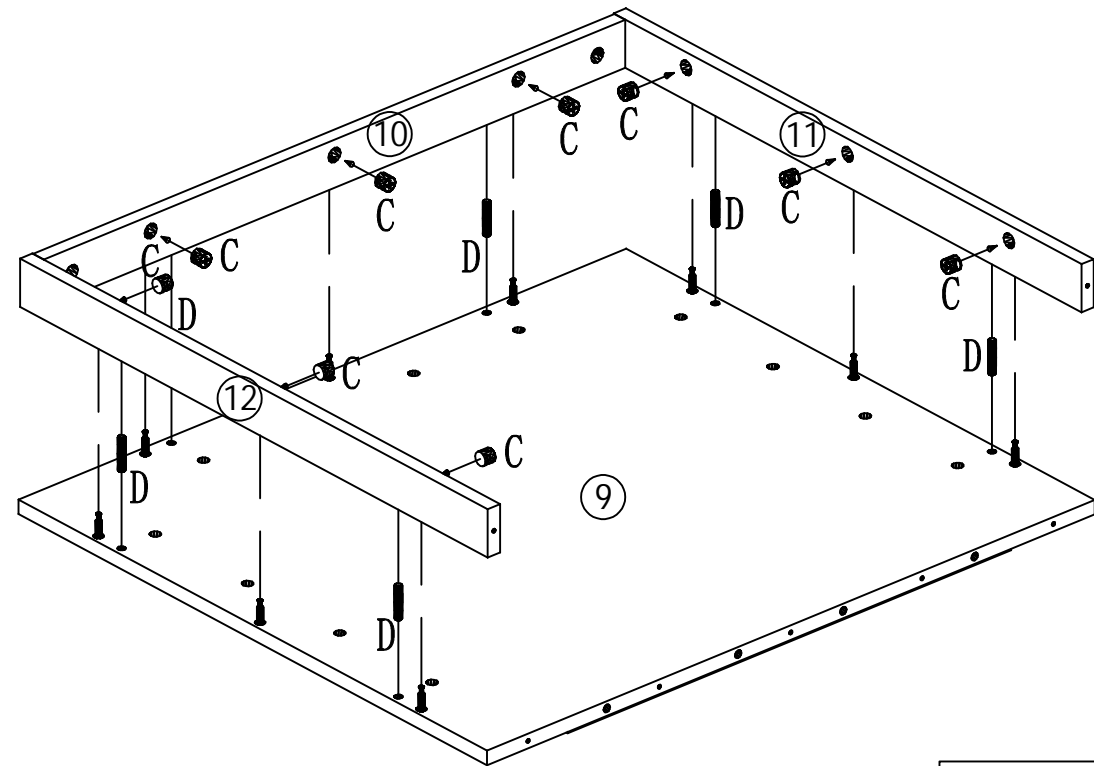
## Useful Information

! Never use power tools, they can damage your components or hardware if used incorrectly.

! The most common mistakes made during assembly are using the wrong hardware or getting components back to front.

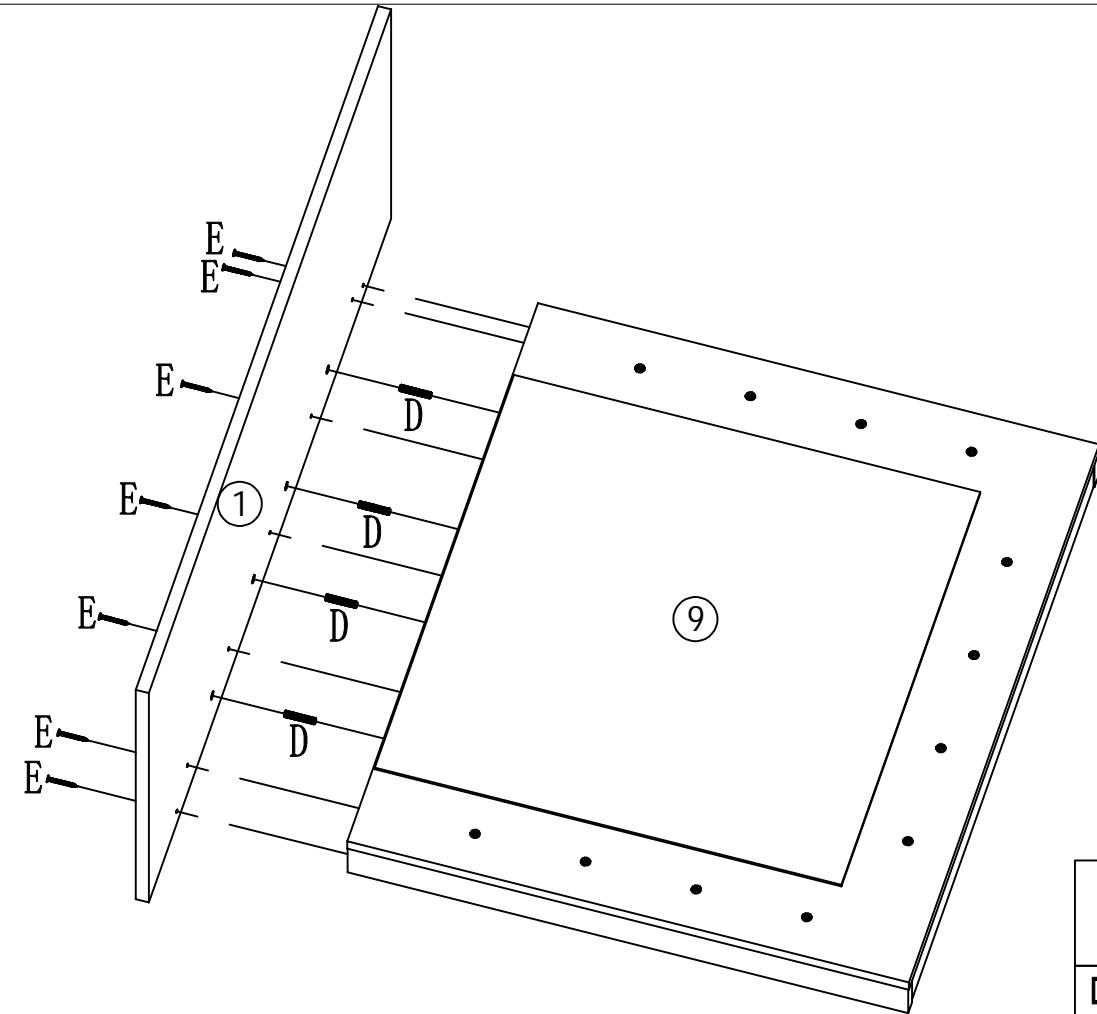
! Always use a soft surface (such as carpet or cardboard) when assembling your product to avoid scratching or damaging the surface of the product.





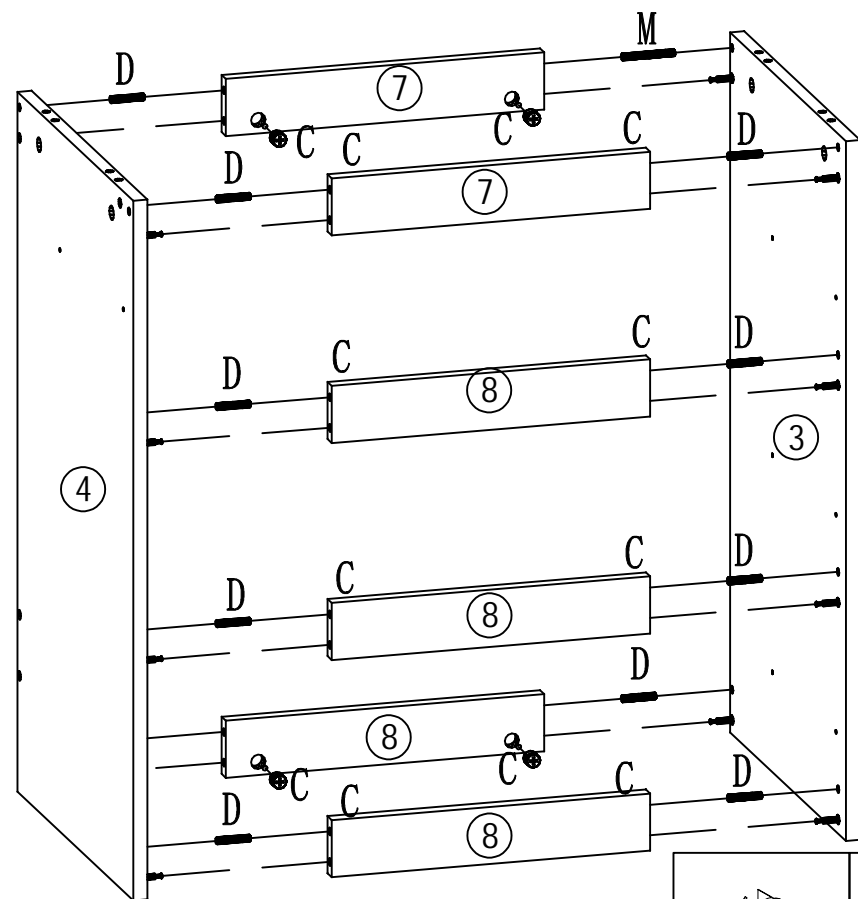
5

±15*11mm	±8*40mm
C 9 PCS	D 6 PCS



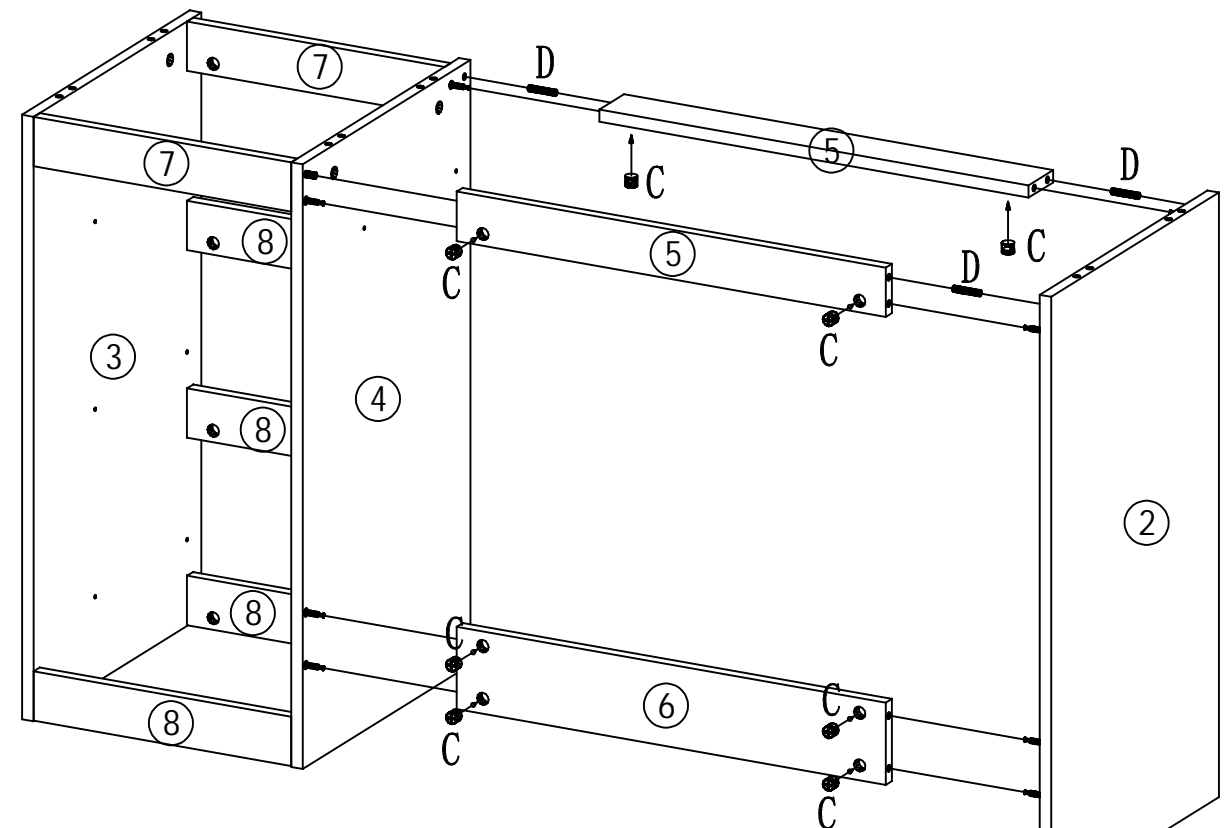
6

±8*40mm	ST3.5*35mm
D 4 PCS	E 7 PCS



7

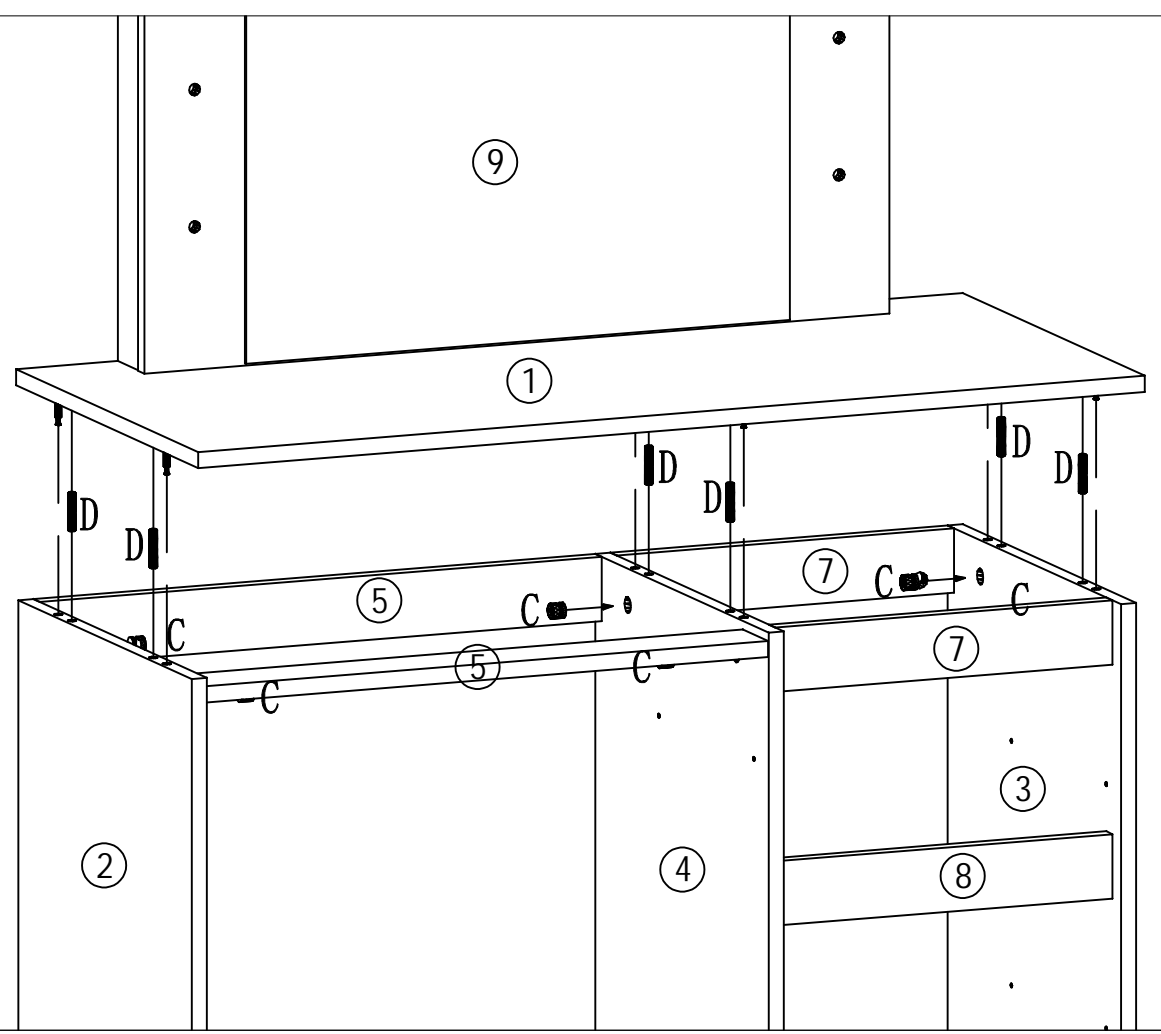
±15*11mm	±8*40mm	±8*60mm
C 12 PCS	D 12 PCS	M 1 PCS



8

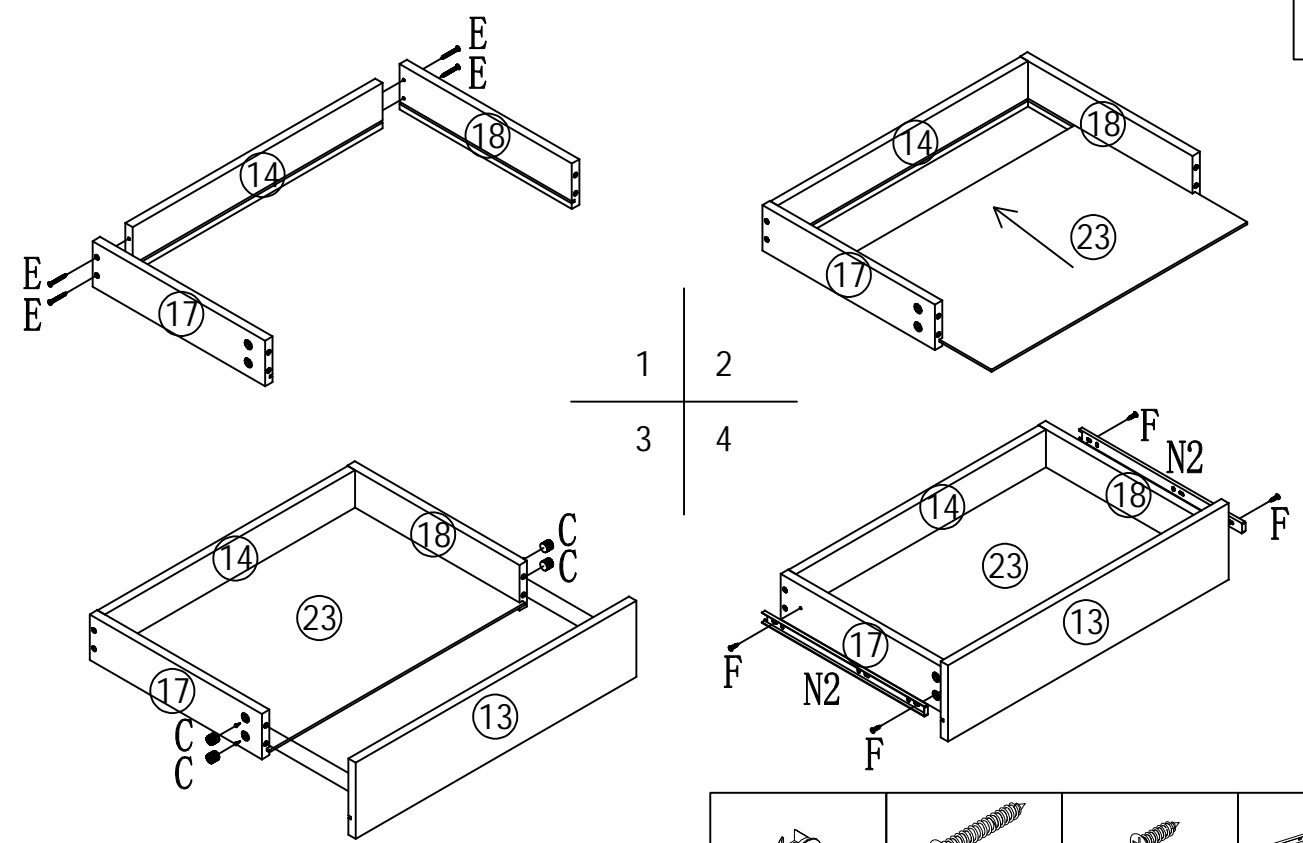
±15*11mm	±8*40mm
C 8 PCS	D 4 PCS

9



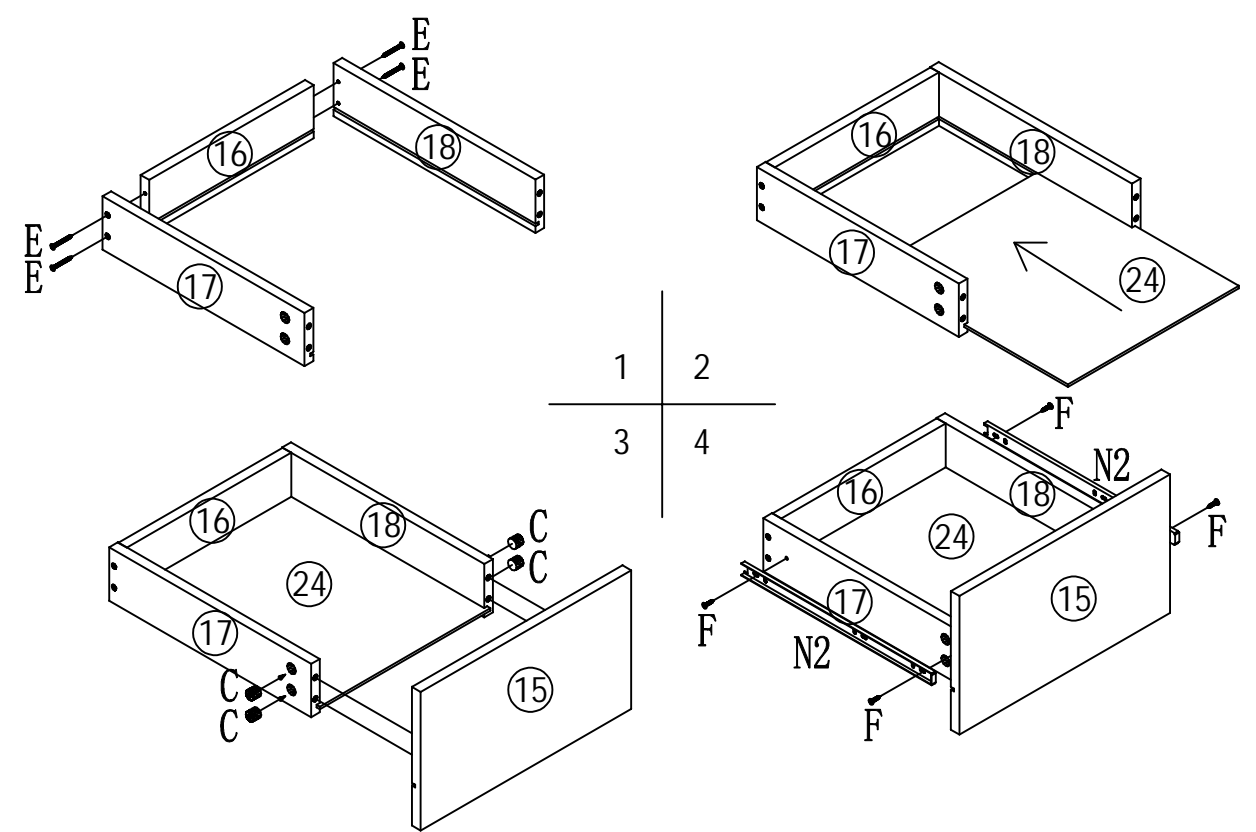
	±15*11mm
C	6 PCS
	±8*40mm
D	6 PCS

10



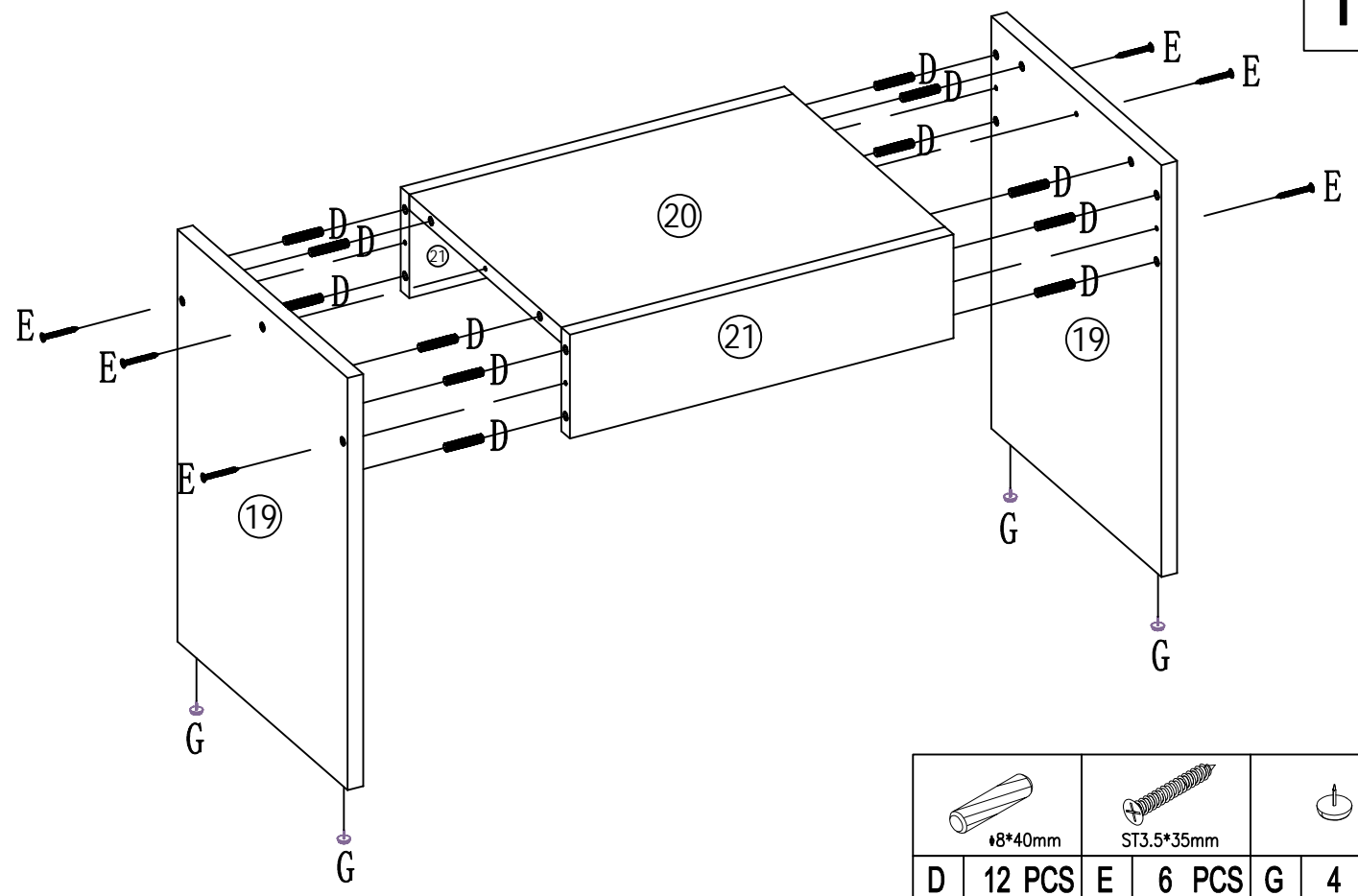
	±15*11mm		ST3.5*35mm		ST3.5*14mm		N2
C	4 PCS	E	4 PCS	F	4 PCS	N2	1 PCS

11



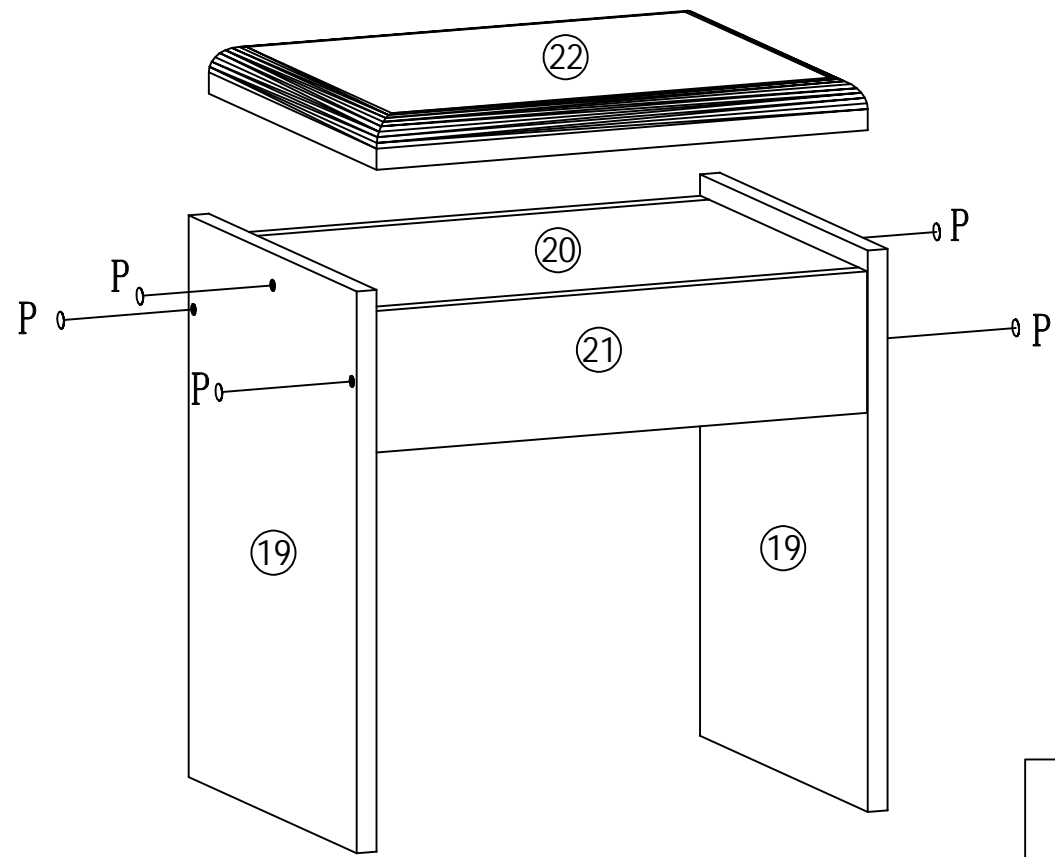
	±15*11mm		ST3.5*35mm		ST3.5*14mm		N2
C	12 PCS	E	12 PCS	F	12 PCS	N2	3 PCS


12



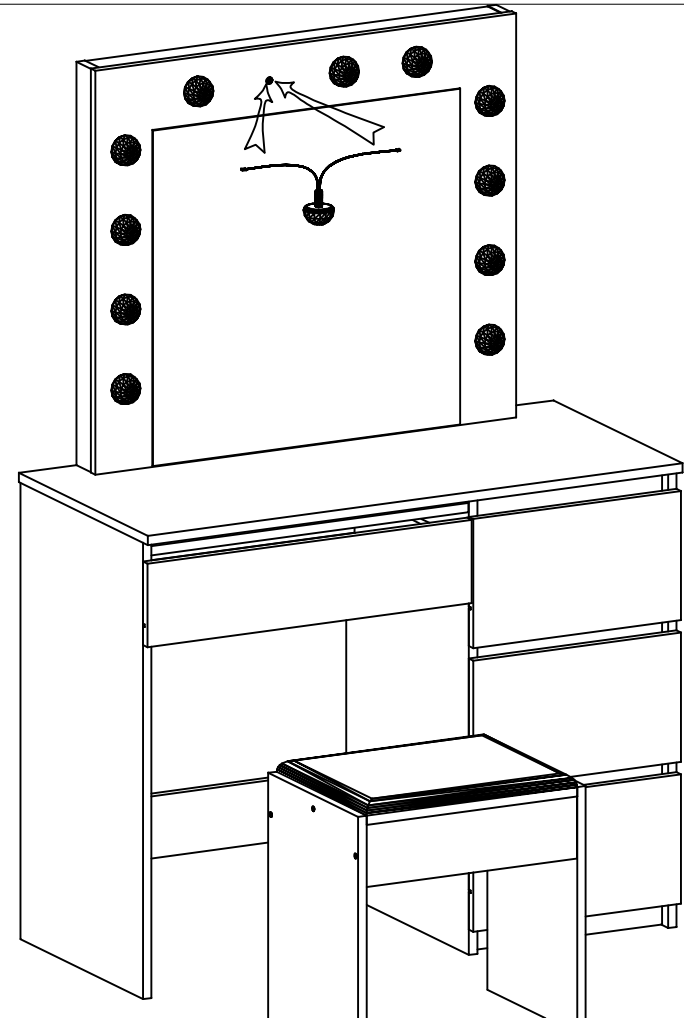
	±8*40mm		ST3.5*35mm		
D	12 PCS	E	6 PCS	G	4 PCS

13

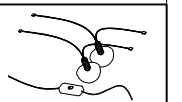


	
#12mm	
P	6 PCS

14

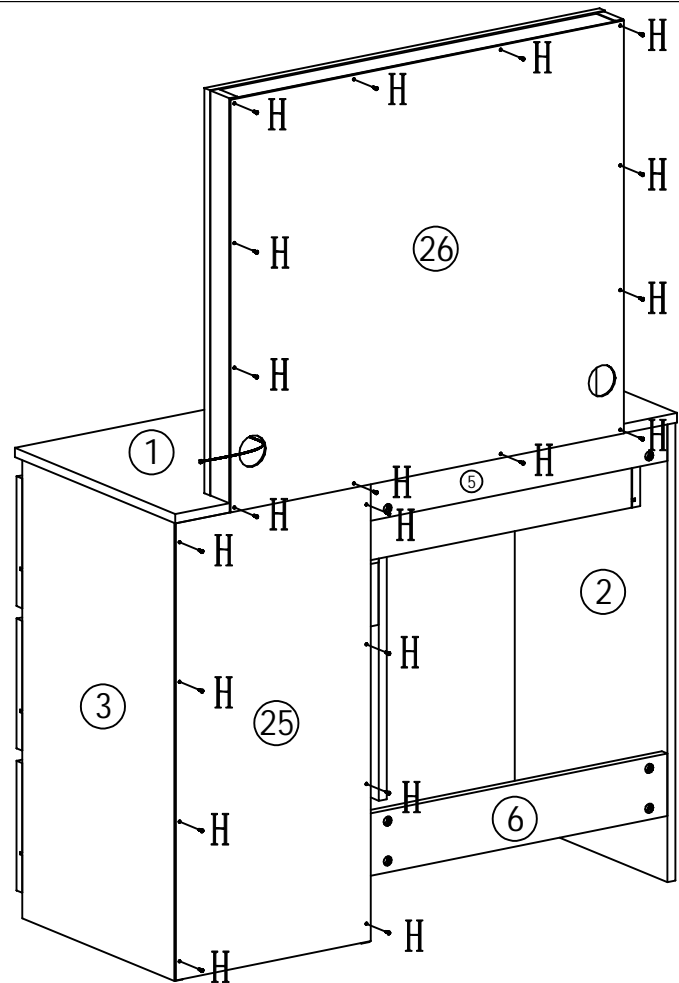



12 BULBS  
+  
CONTROLLER



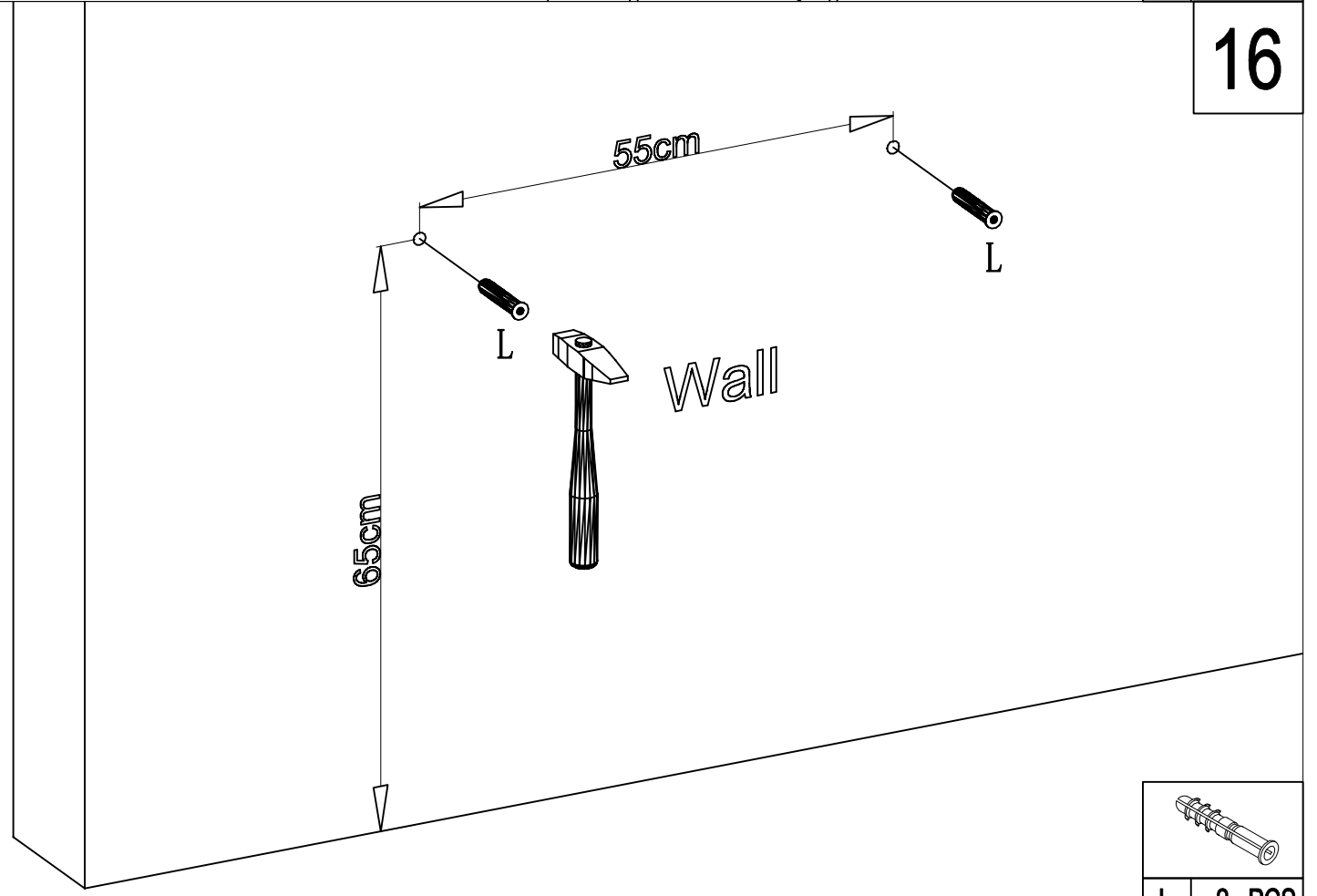
Q	1 PCS
---	-------

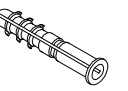
15



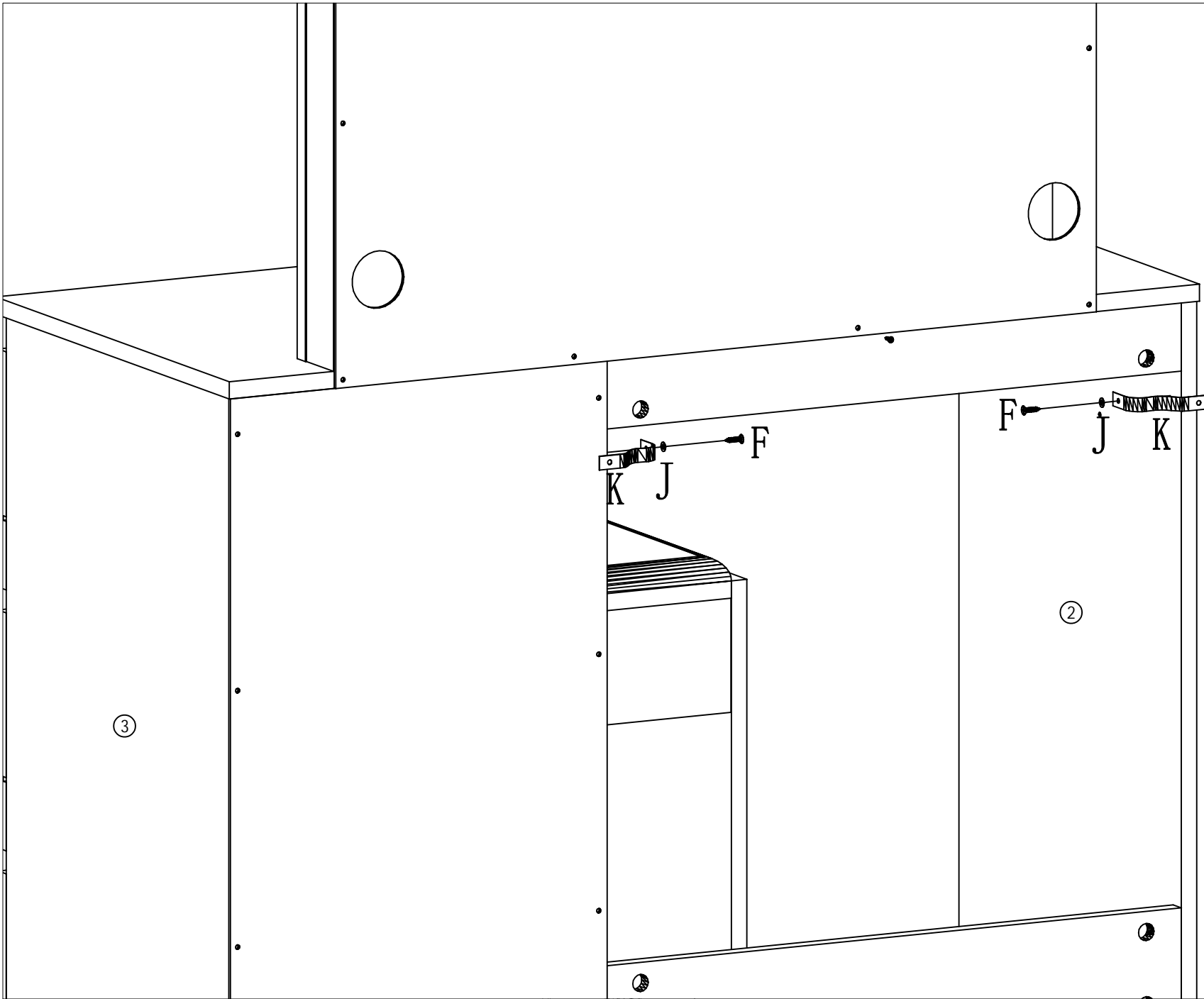
	
ST3*12mm	
H	20 PCS

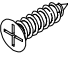

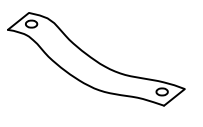
16



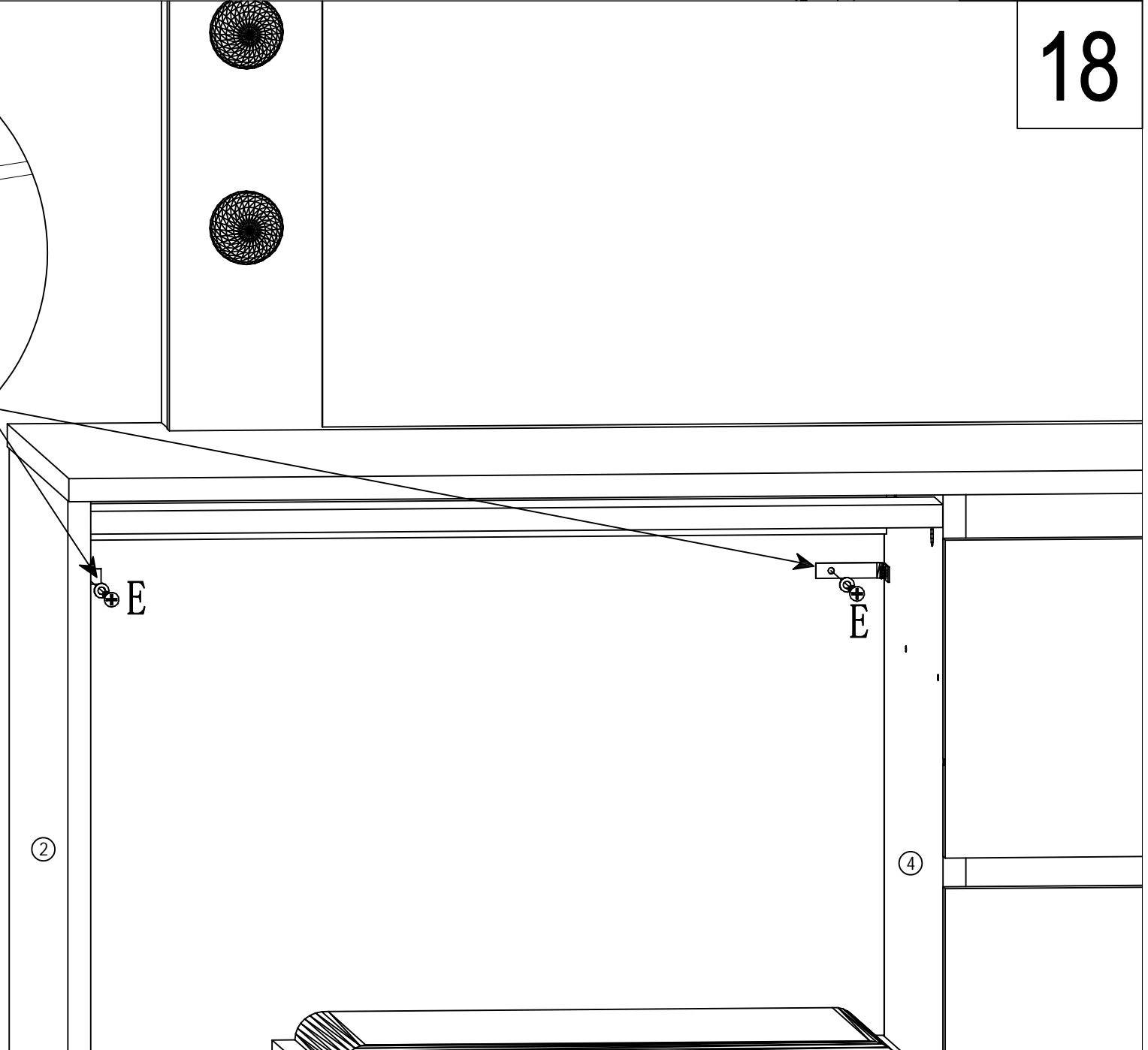
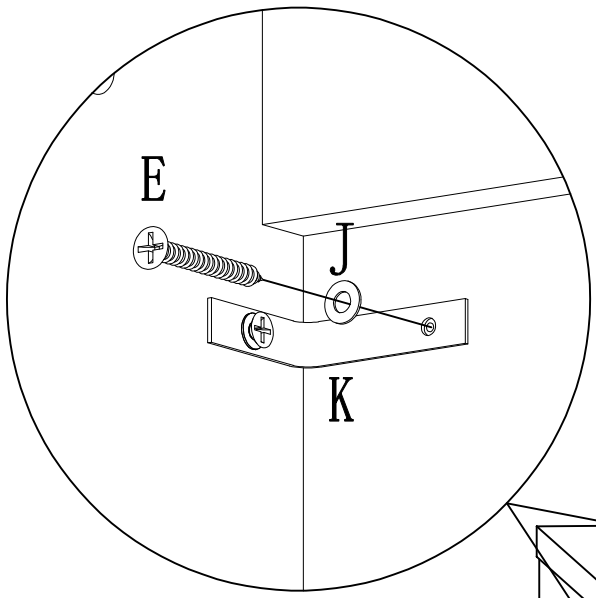
	
L	2 PCS

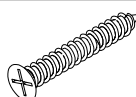

17



	
ST3.5*14mm	
F	2 PCS
	
J	2 PCS
	
K	2 PCS

18



	
ST3.5*35mm	
E	2 PCS
	
J	2 PCS