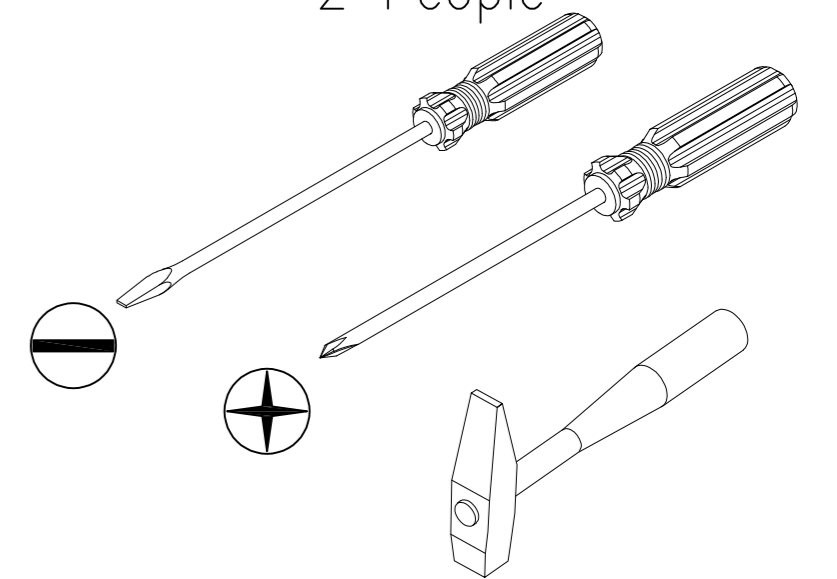
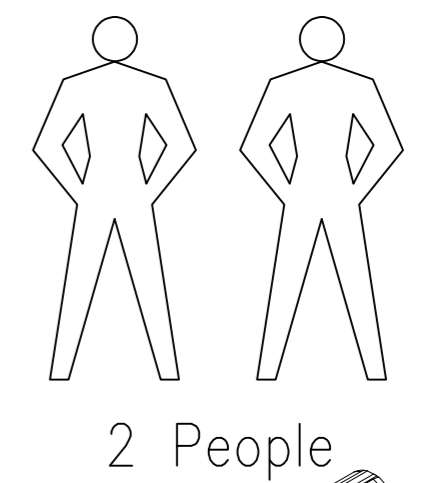
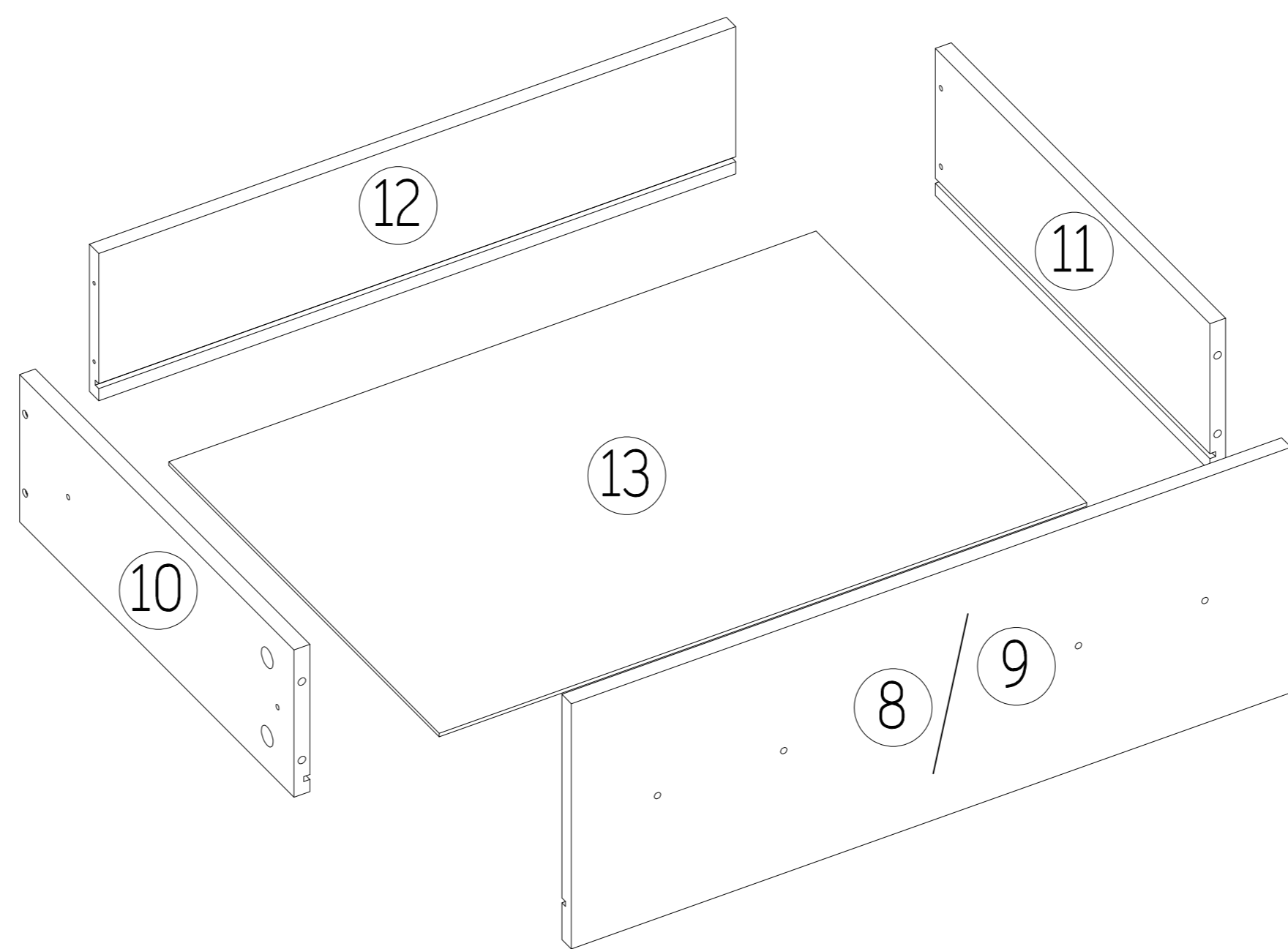
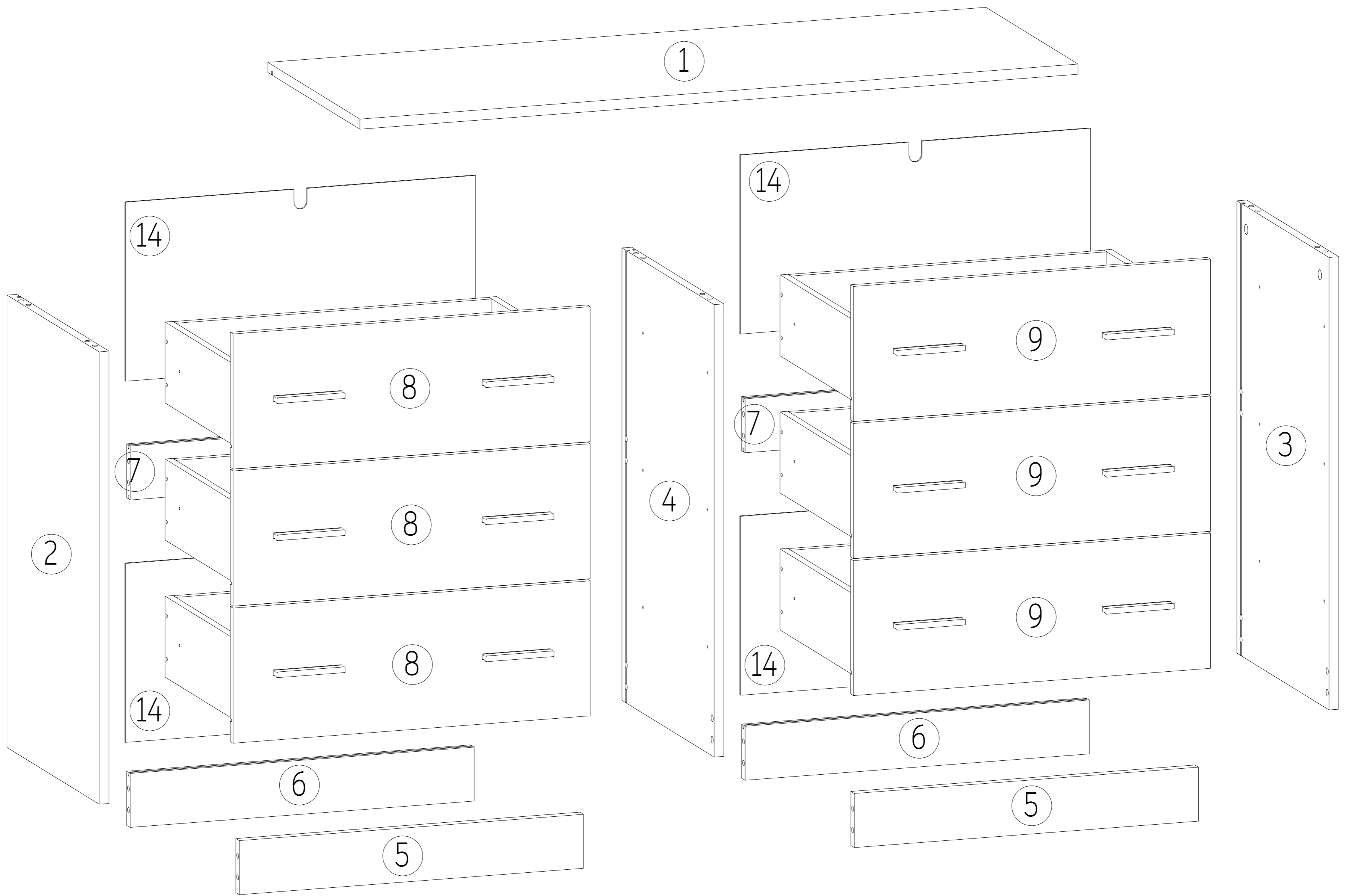


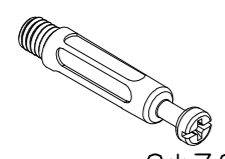
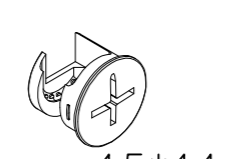
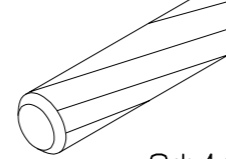


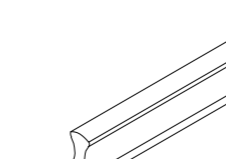


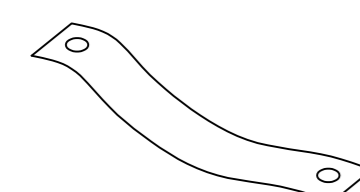
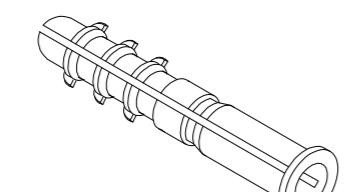
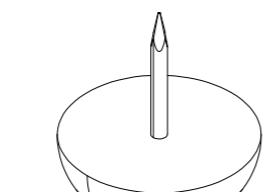
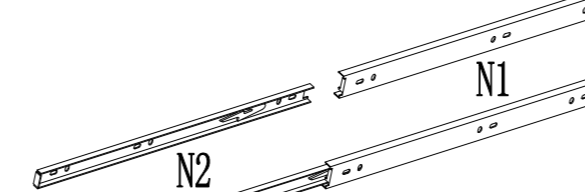
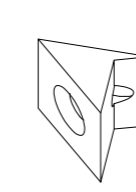
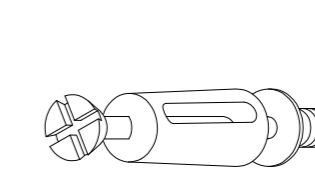
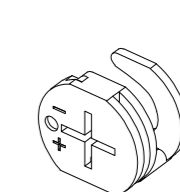
FURNI-Q-CDR-01-BK



Warning instructions:

1. Assembly should to be carried out by a competent adult only.
2. Regularly check all parts firmly fixed to ensure the furniture for safe use.
3. Wipe clean only.
4. The warning sticker on the furniture is a mandatory requirement in Australia, and it can be removed by wet cloth.



 φ6*38mm	 φ15*11mm	 φ8*40mm	 ST3.5*30mm	 ST3.5*12mm		 M4*14mm	
B 30 PCS	C 30 PCS	D 6 PCS	E 26 PCS	F 66 PCS	G 12 PCS	H 24 PCS	J 4 PCS
			 N1 N2				
K 2 PCS	L 2 PCS	M 6 PCS	N 12 PCS		R 16 PCS	S 24 PCS	T 24 PCS

Assembly checklist



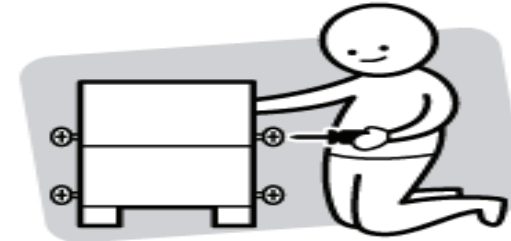
Read through the instructions carefully before you begin.



Make sure you have all the required tools. Do not use power tools.



Identify and lay out all of the components before you begin assembly.



Do not fully tighten all screws until step/ process finished.

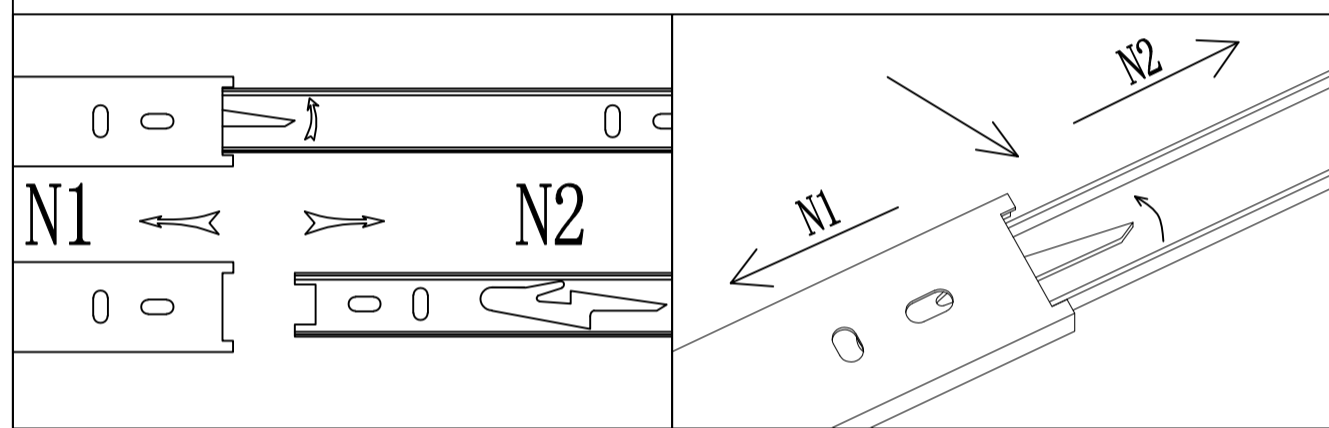
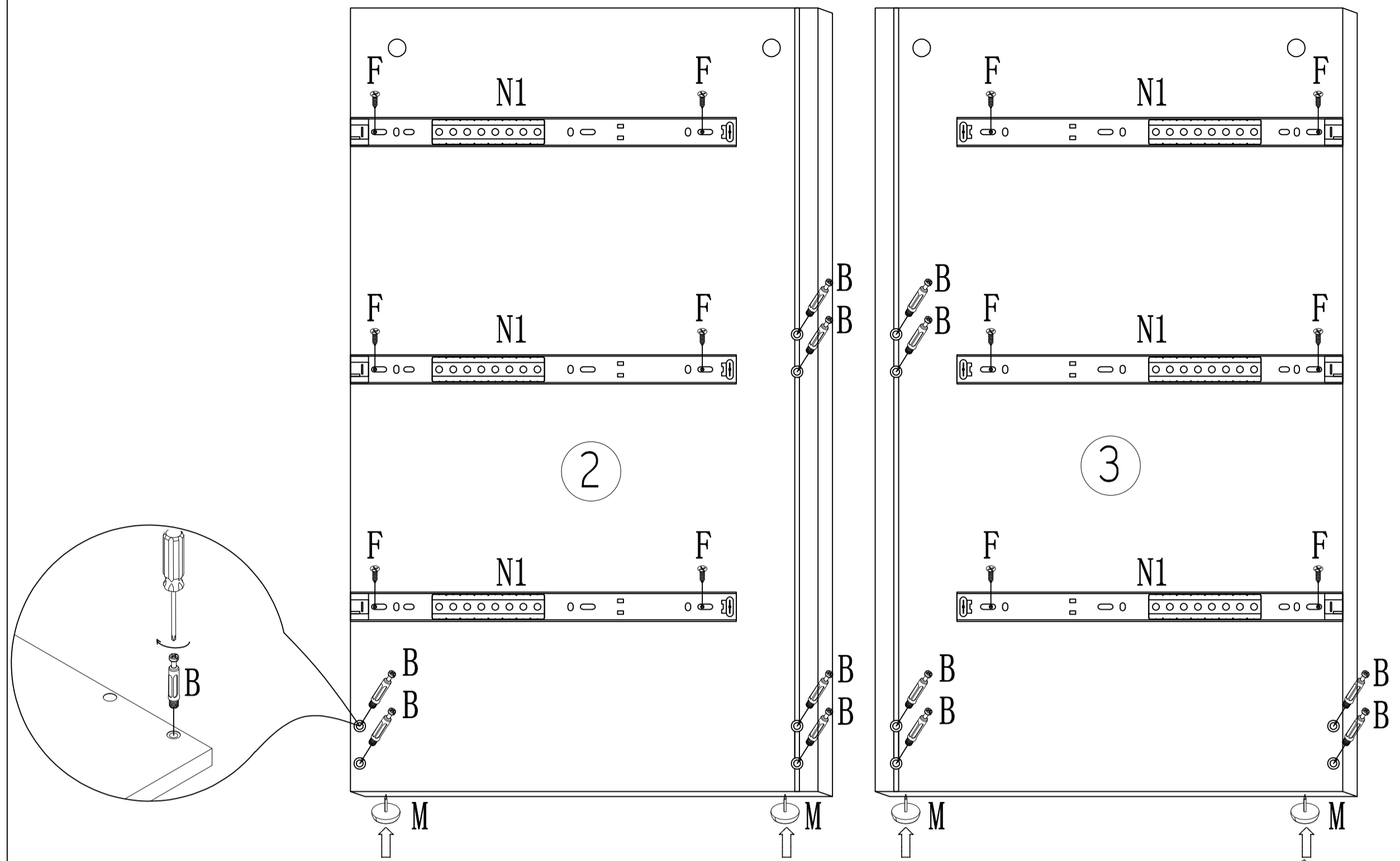
Useful Information

! Never use power tools, they can damage your components or hardware if used incorrectly.

! The most common mistakes made during assembly are using the wrong hardware or getting components back to front.

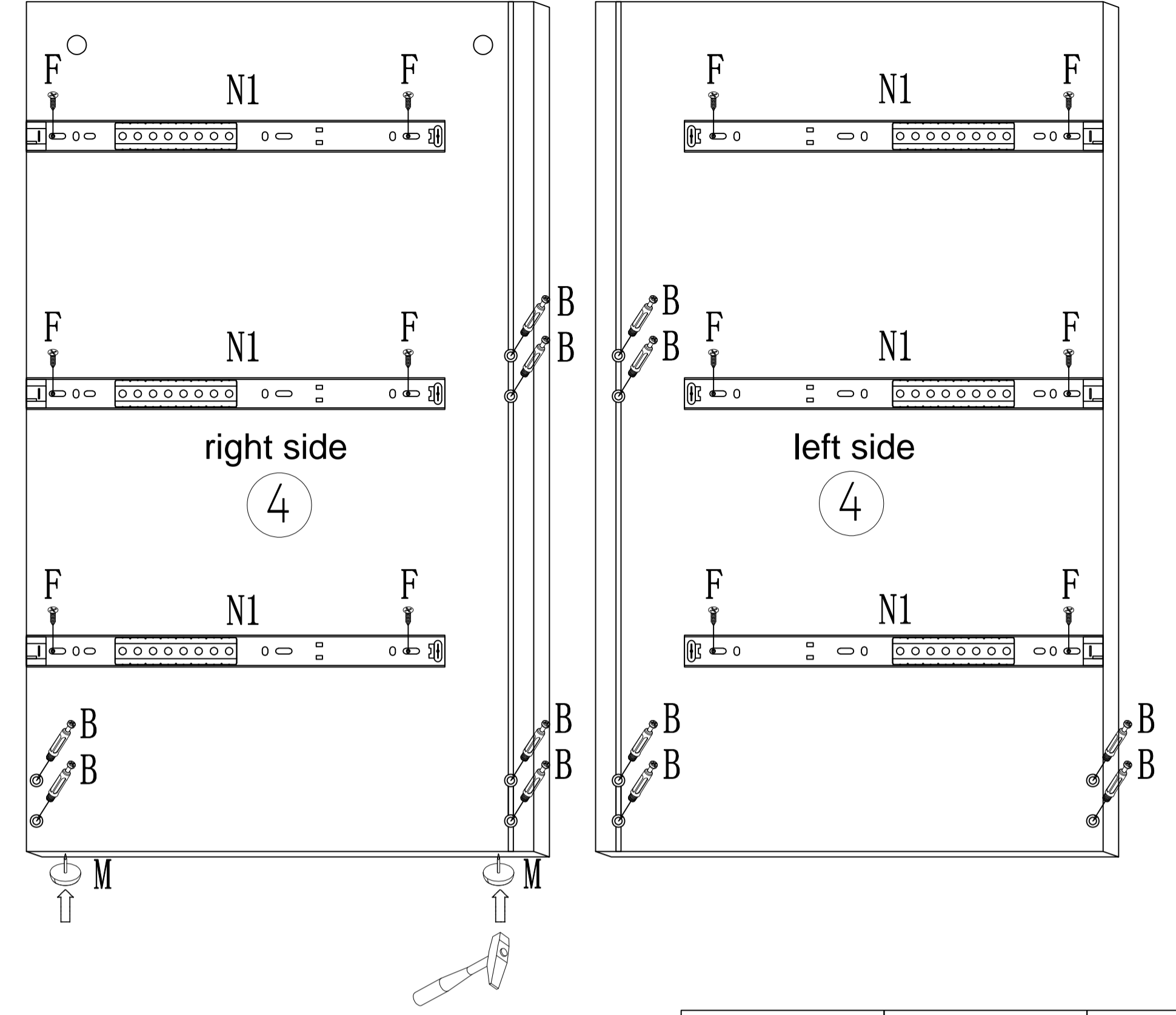
! Always use a soft surface (such as carpet or cardboard) when assembling your product to avoid scratching or damaging the surface of the product.

1



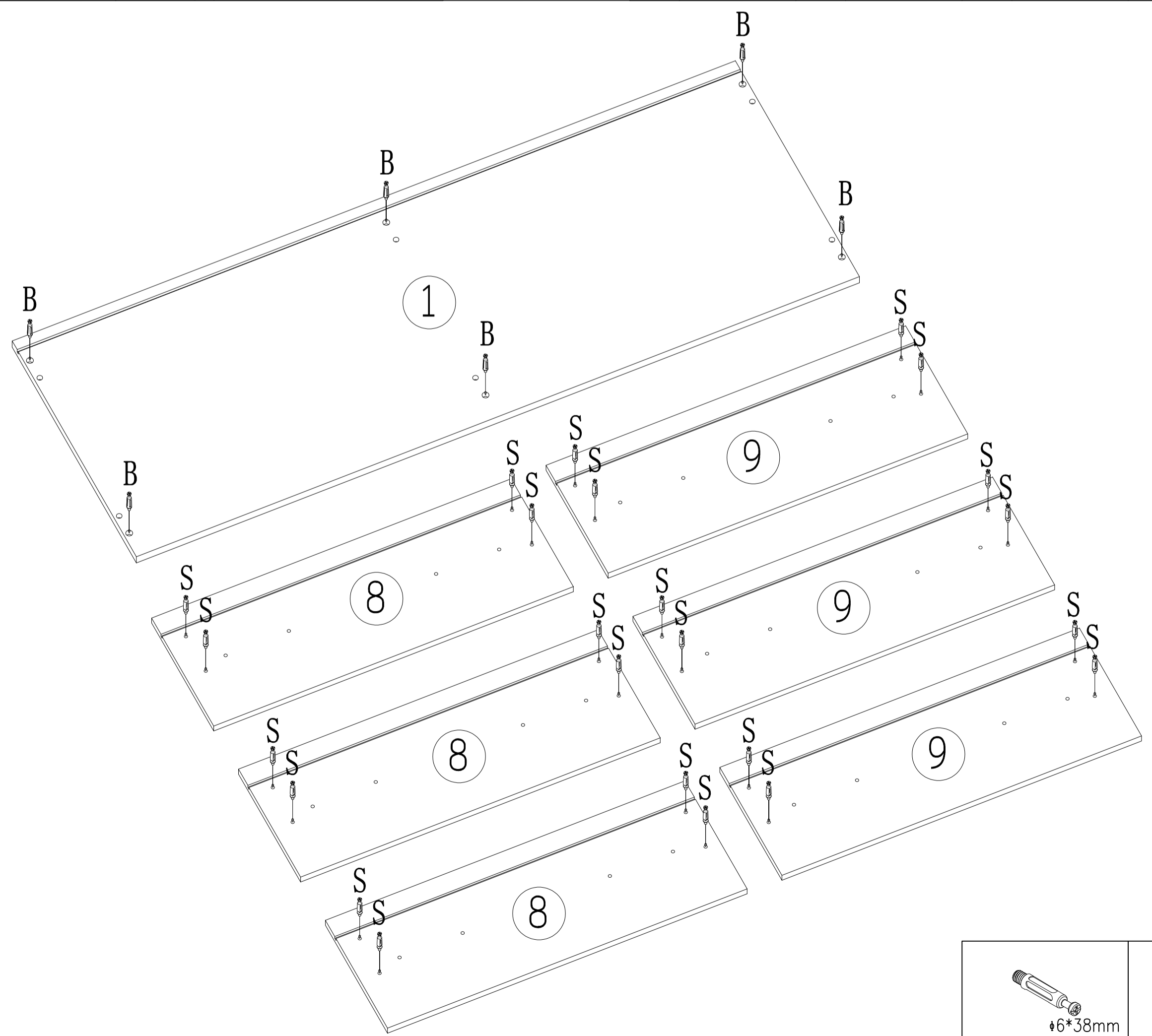
±6*38mm	ST3.5*12mm	N1	
B 12 PCS	F 12 PCS	N 6 PCS	M 4 PCS

2



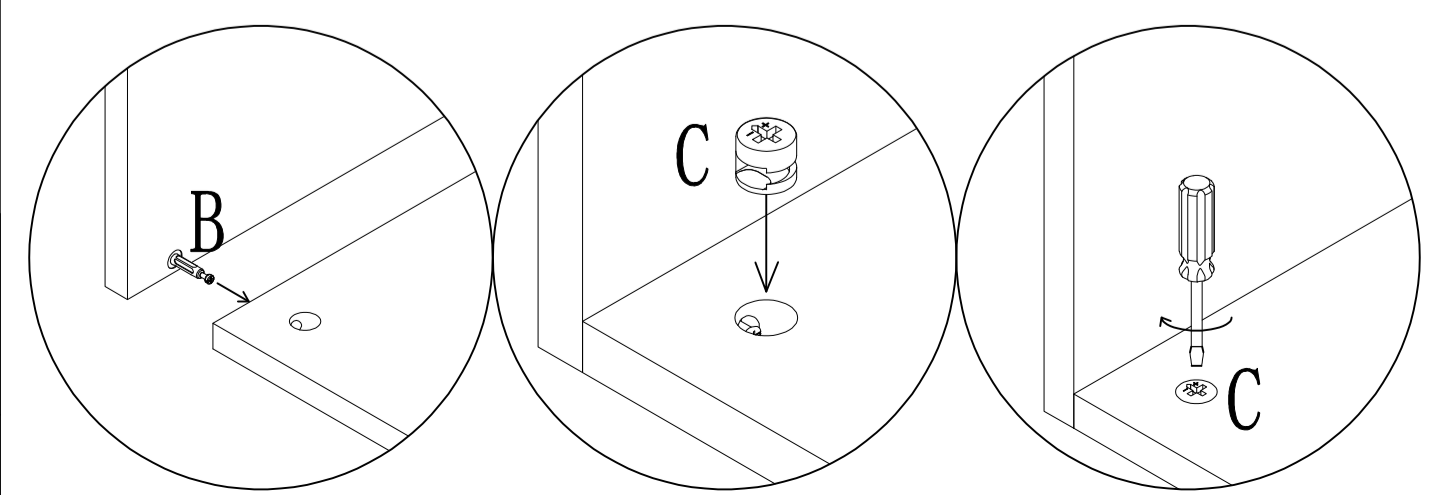
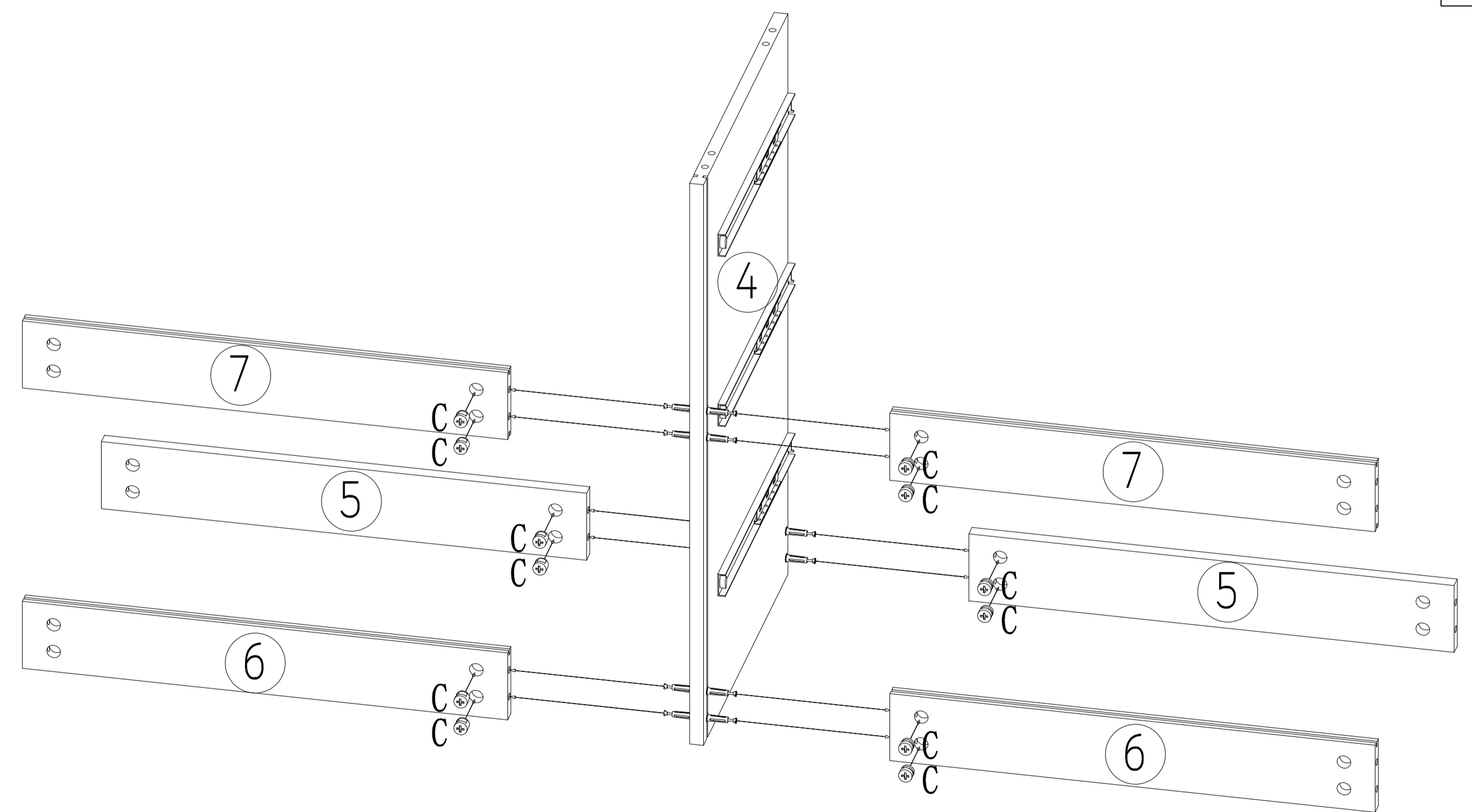
±6*38mm	ST3.5*12mm	N1	
B 12 PCS	F 12 PCS	N 6 PCS	M 2 PCS

3



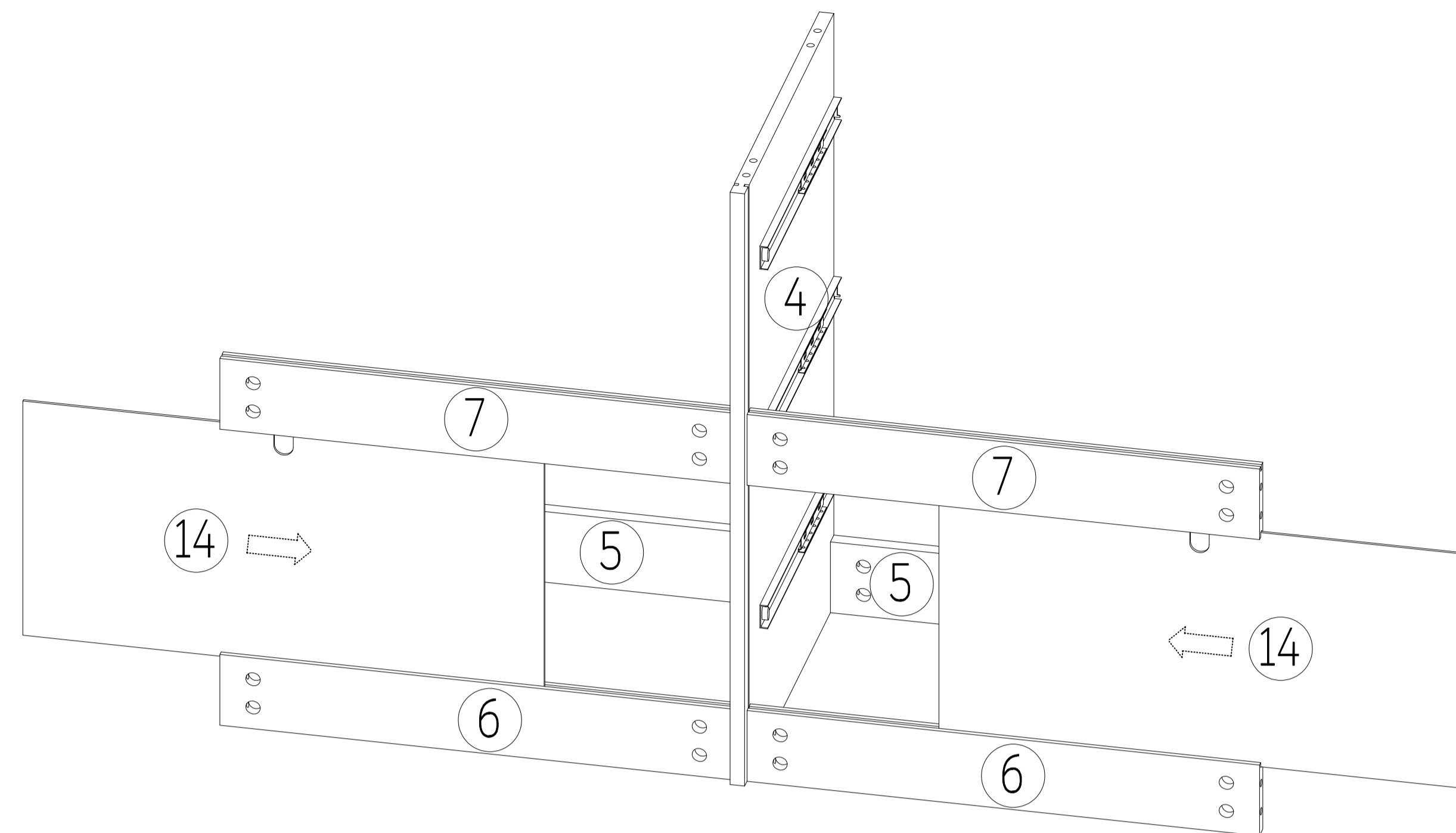
±6*38mm	
B 6 PCS	S 24 PCS

4

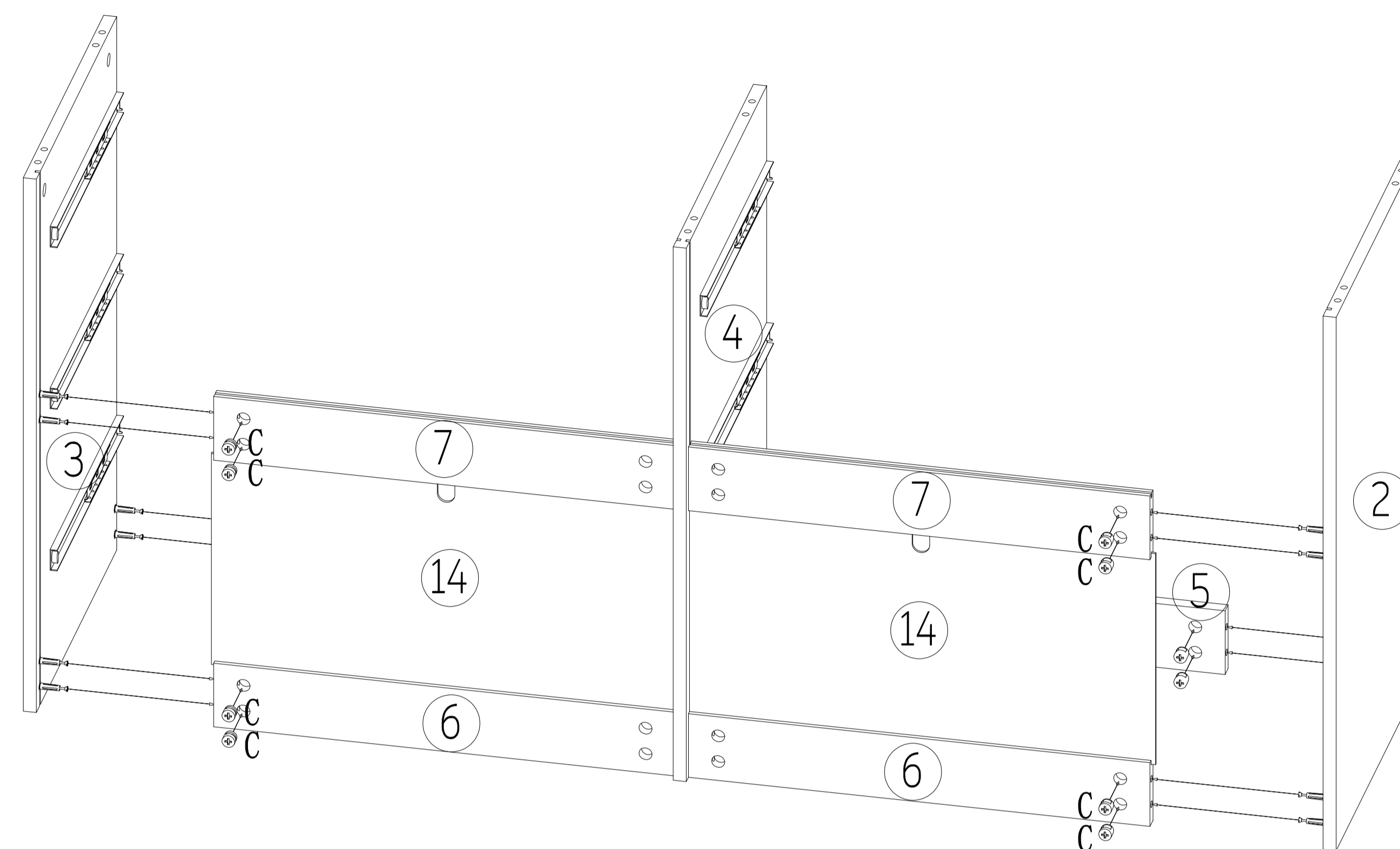



±15*11mm
C 12 PCS

5

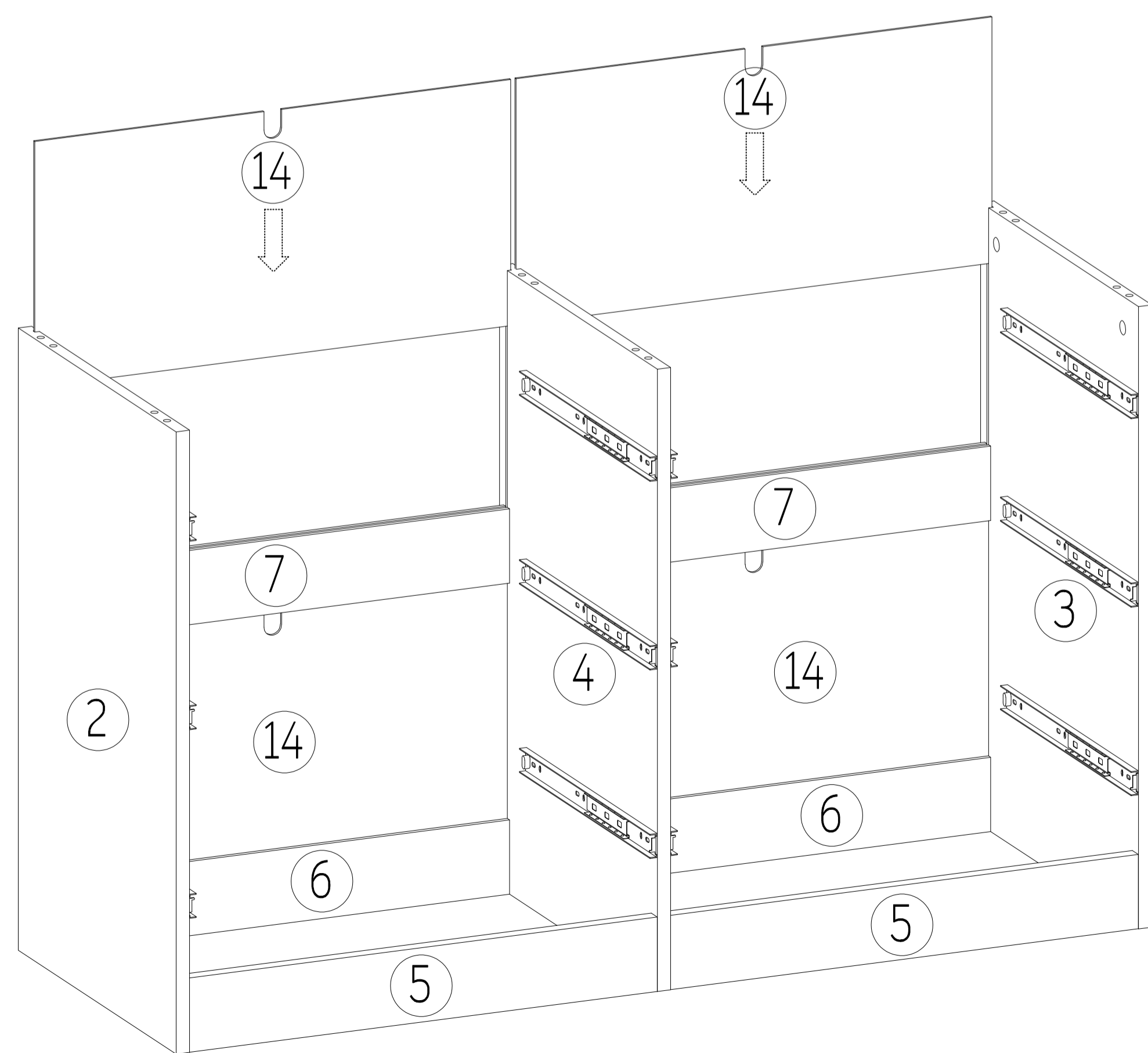


6

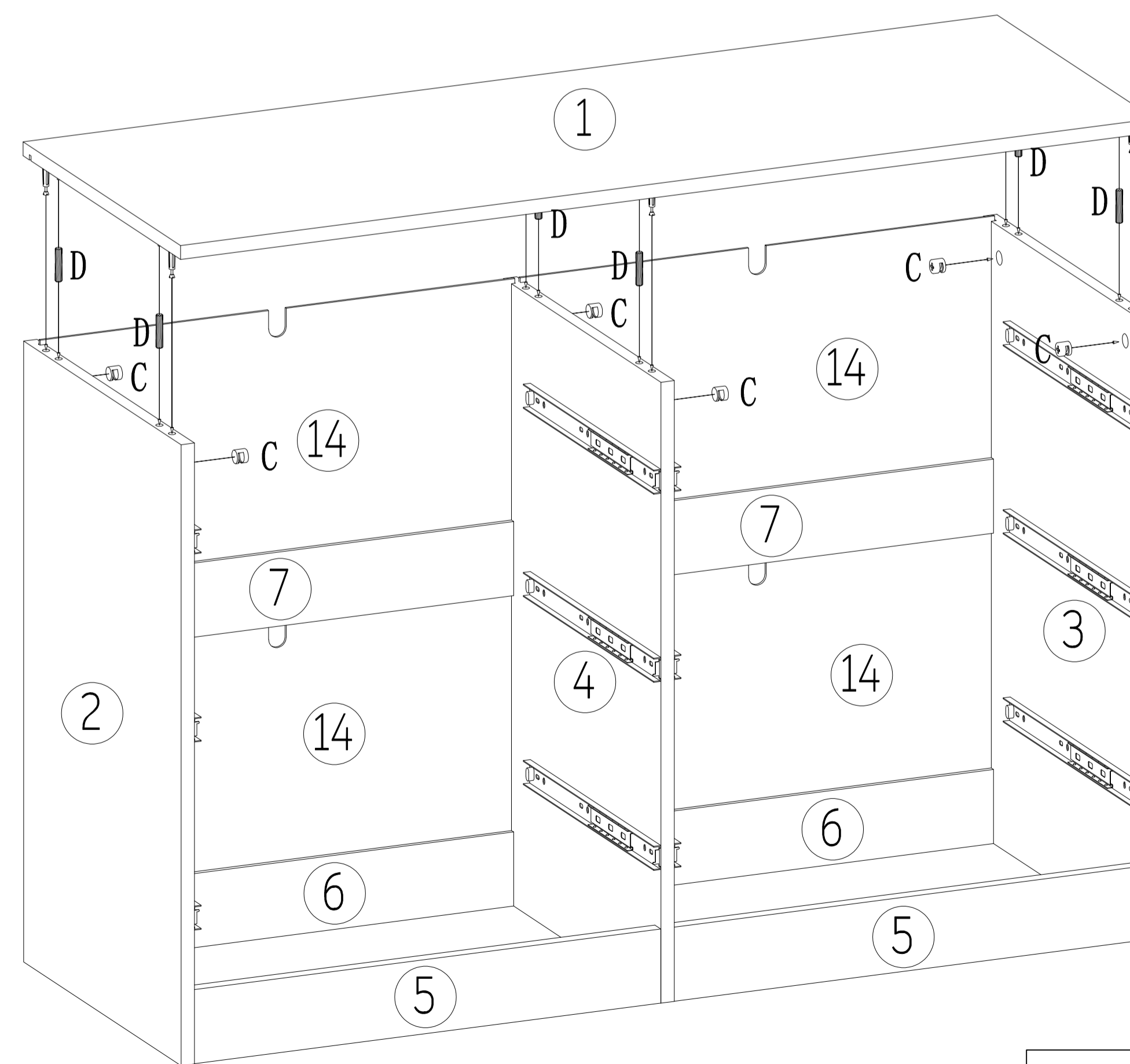


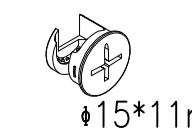
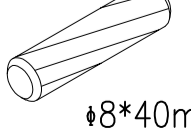
	±15*11mm
C	12 PCS

7



8



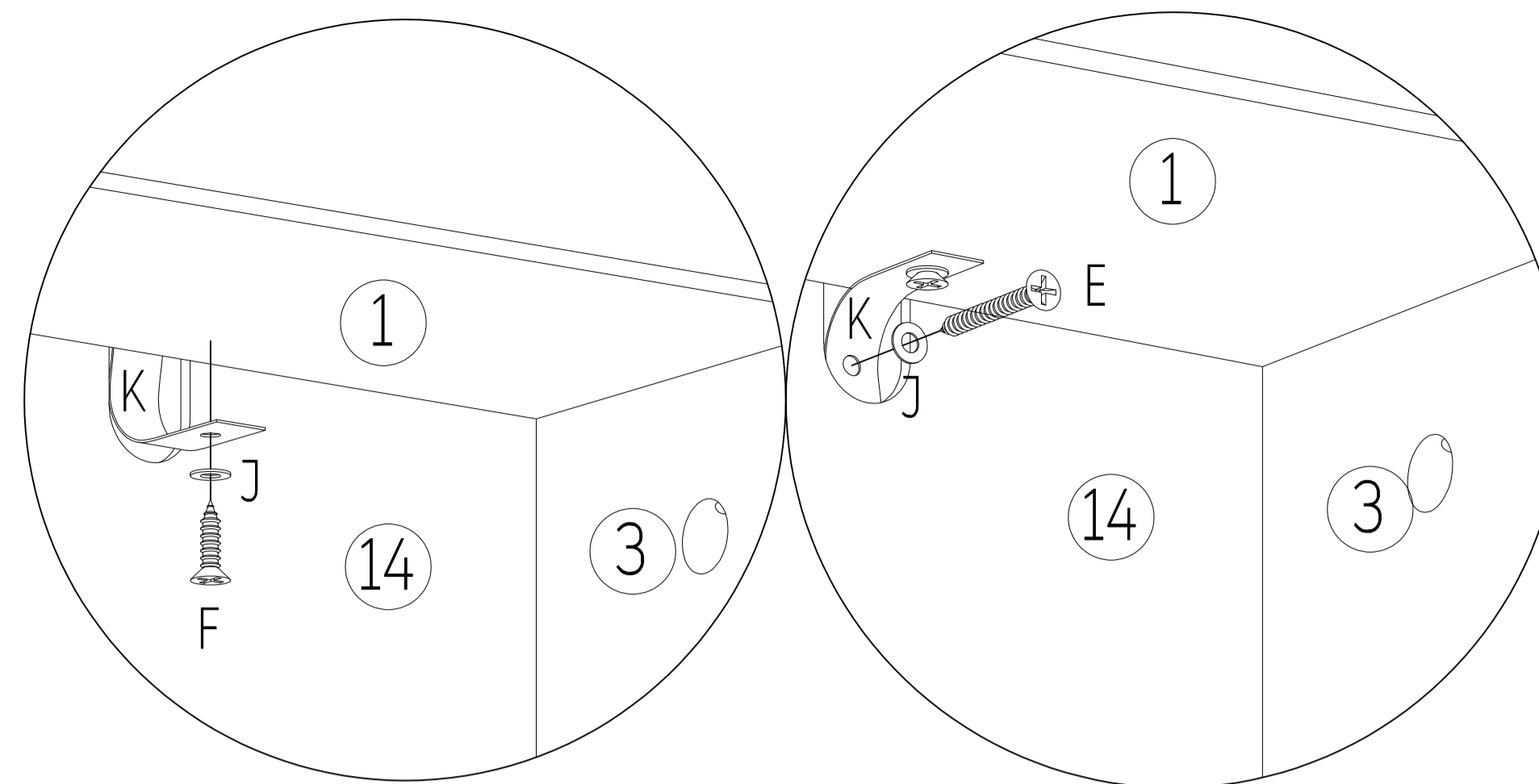
	±15*11mm		±8*40mm
C	6 PCS	D	6 PCS

9



	ST3.5*12mm	F	16 PCS		R	16 PCS
--	------------	---	--------	--	---	--------

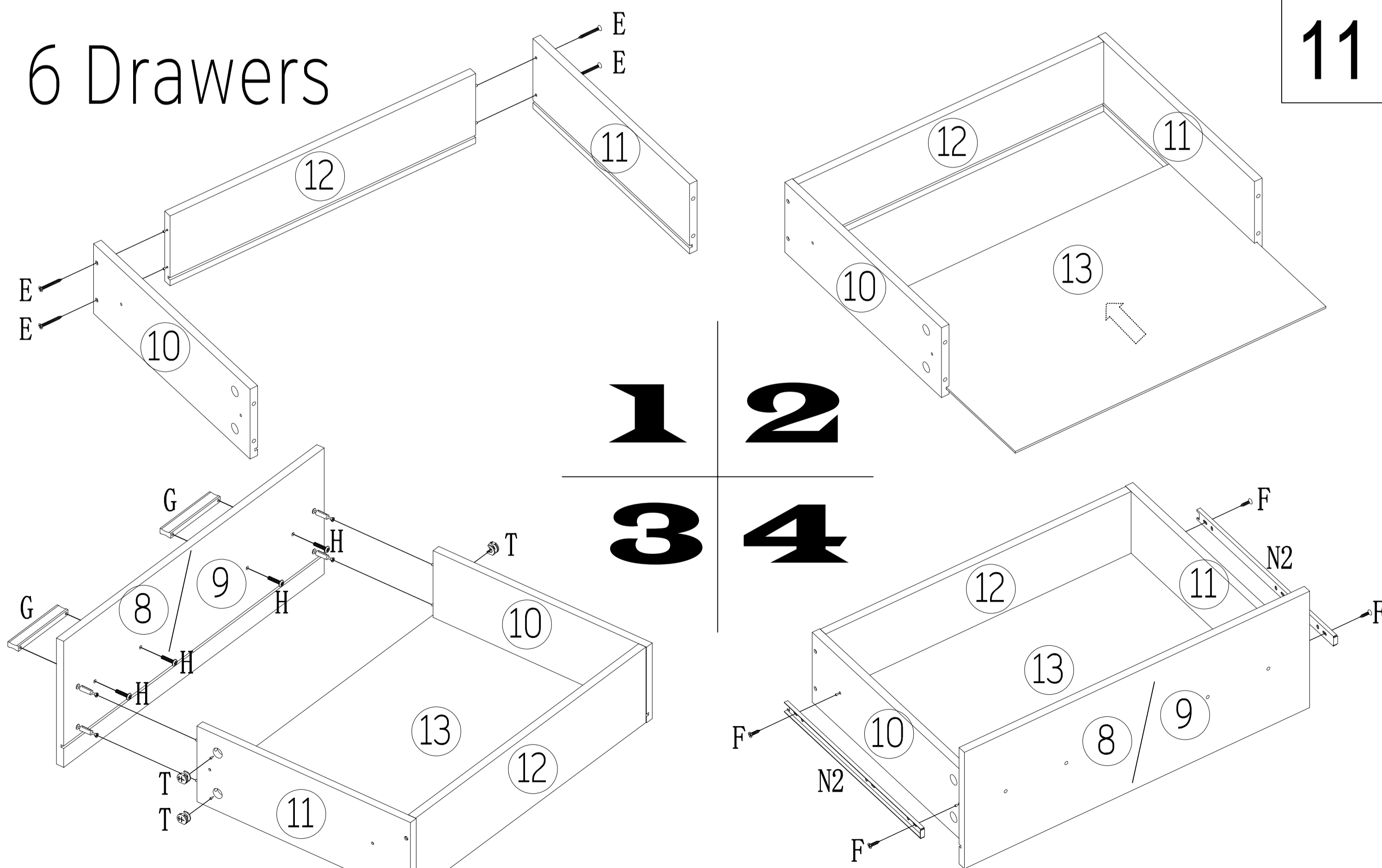
10



	ST3.5*30mm	E	2 PCS
	ST3.5*12mm	F	2 PCS
		J	4 PCS
		K	2 PCS
		L	2 PCS

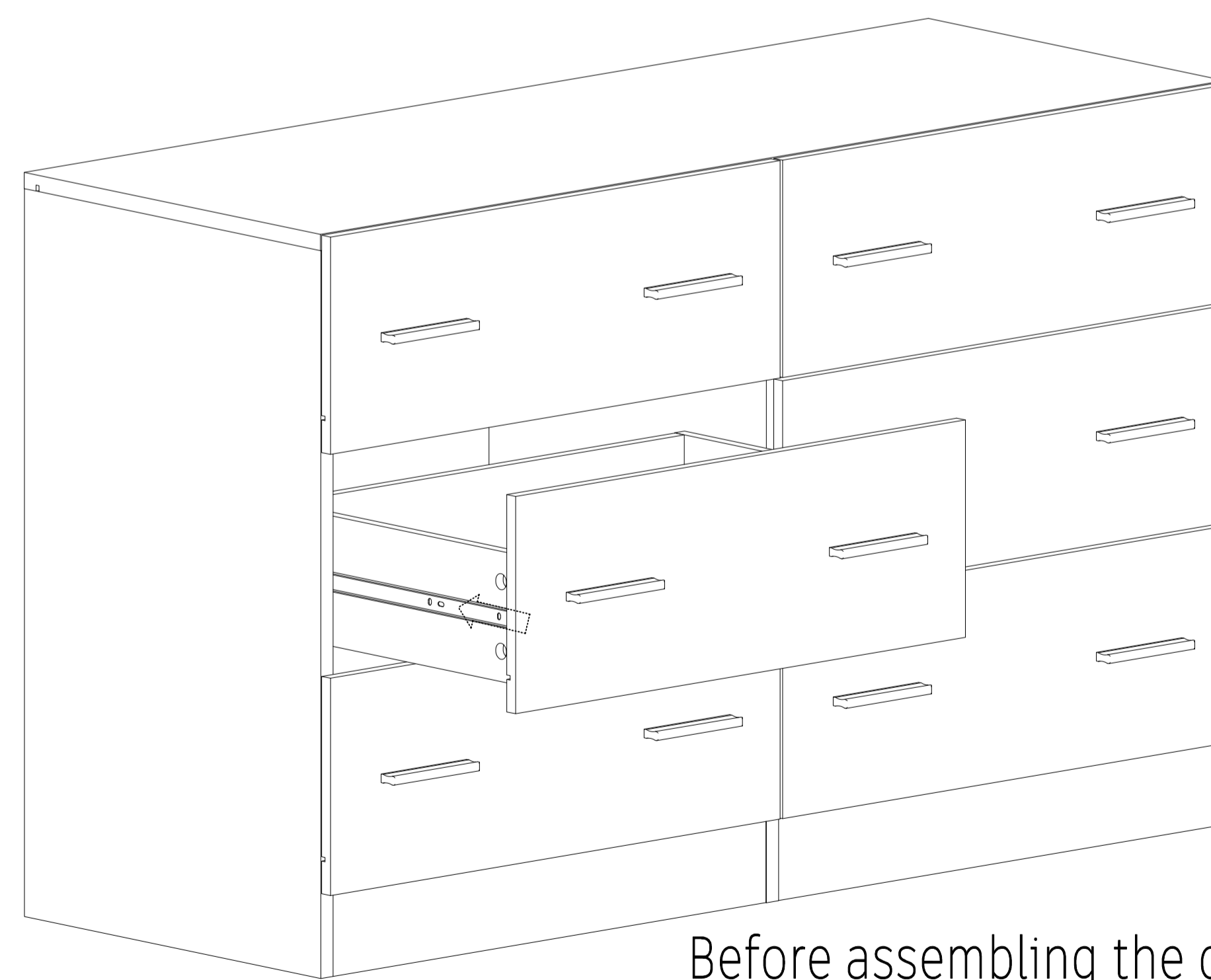
6 Drawers

11



	ST3.5*30mm	E	24 PCS		ST3.5*12mm	F	24 PCS		G	12 PCS		M4*14mm	H	24 PCS		N2	N	12 PCS		T	24 PCS
--	------------	---	--------	--	------------	---	--------	--	---	--------	--	---------	---	--------	--	----	---	--------	--	---	--------

12



Before assembling the drawer, ensure that the pulley of the slide rail is located at the front end of the slide rail

