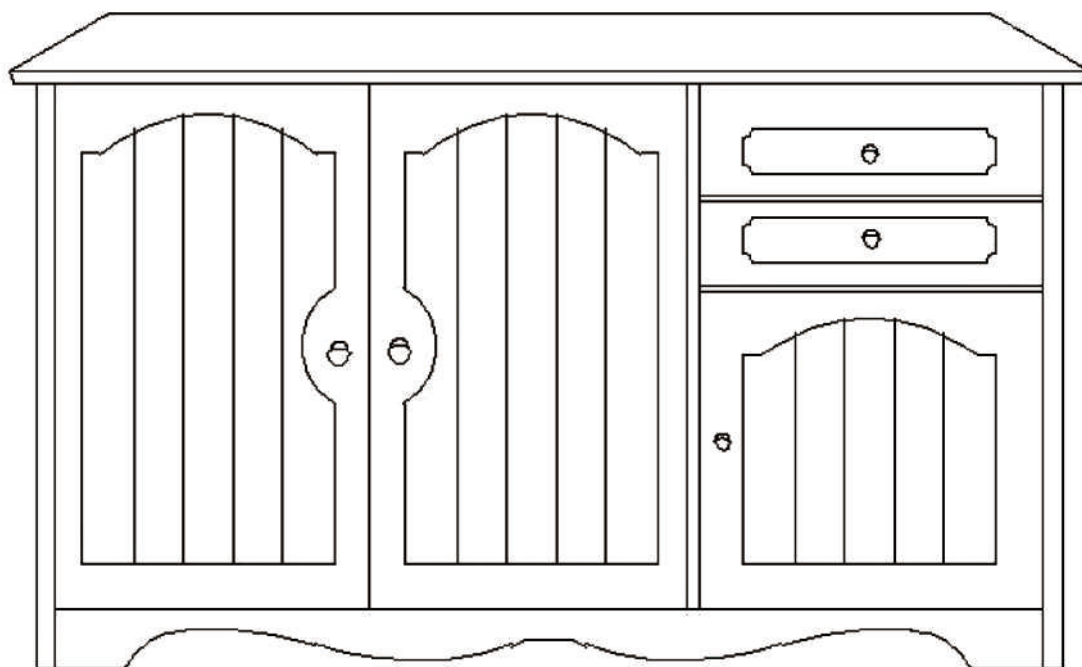
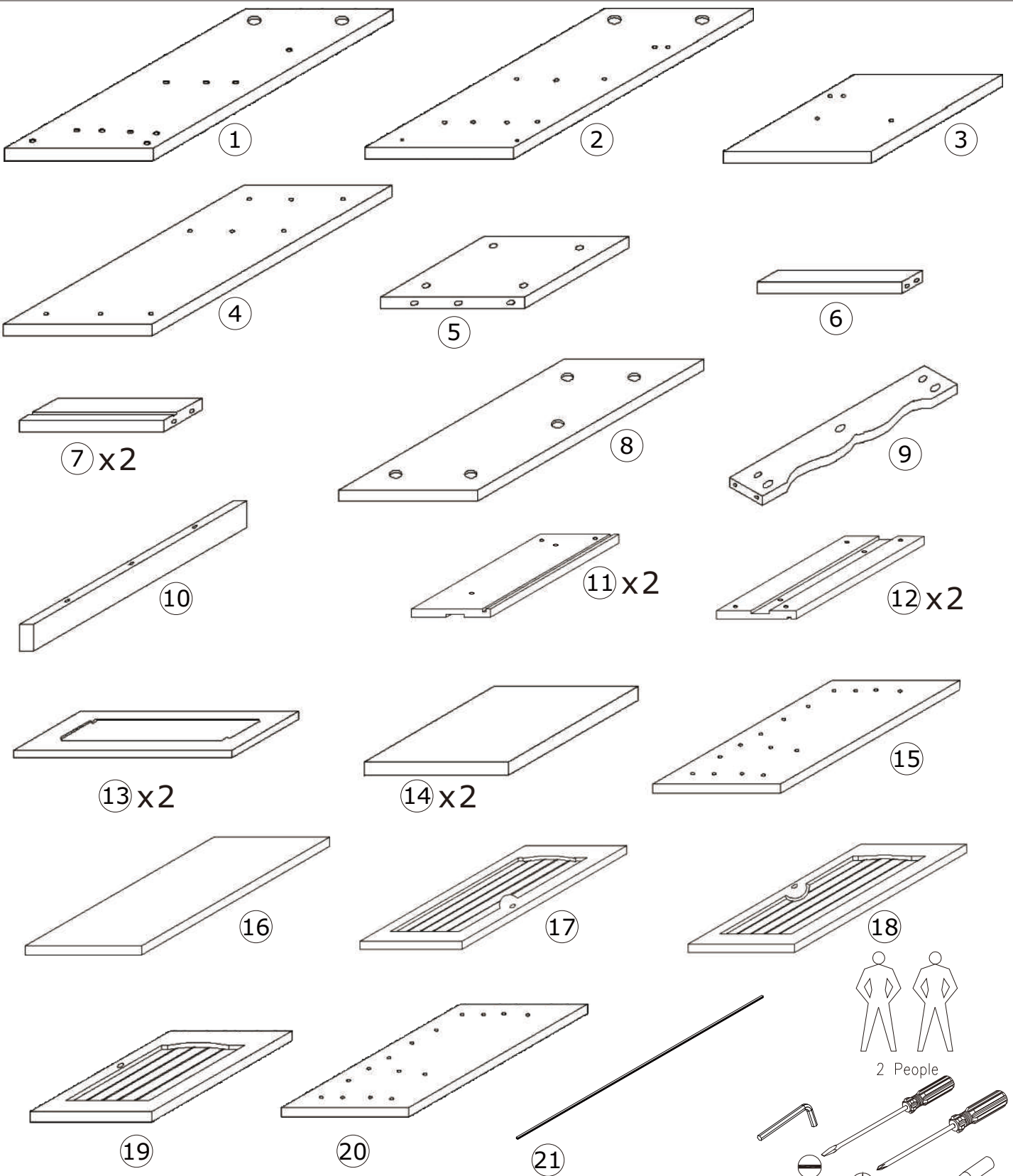


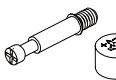
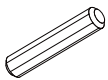
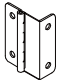


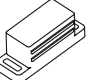
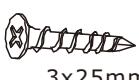










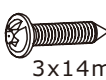
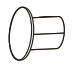
FURNI-P-MED-03-WH



Warning instructions:

1. Assembly should to be carried out by a competent adult only.
2. Regularly check all parts firmly fixed to ensure the furniture for safe use.
3. Wipe clean only.
4. The warning sticker on the furniture is a mandatory requirement in Australia, and it can be removed by wet cloth.



			 3x12mm			 3x25mm
a 25PCS	b 18PCS	c 6PCS	d 30PCS	e 5PCS	f 2PCS	g 16PCS
				 4x10mm	 3x12mm	 4x16mm
h 1PCS	i 4PCS	j 2PCS	k 1PCS	l 2PCS	m 36PCS	n 3PCS
		 3x14mm	 3x14mm			
o 2PCS	p 4PCS	q 2PCS	r 6PCS	s 4PCS		

Assembly checklist



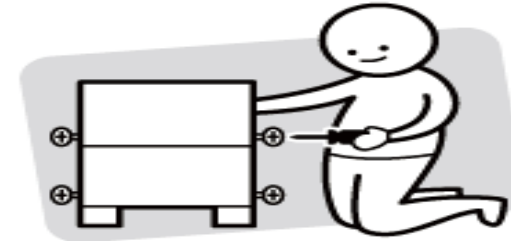
Read through the instructions carefully before you begin.



Make sure you have all the required tools. Do not use power tools.



Identify and lay out all of the components before you begin assembly.



Do not fully tighten all screws until step/ process finished.

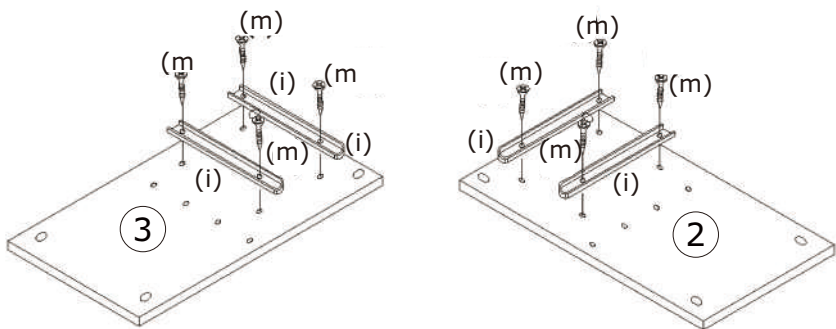
Useful Information

! Never use power tools, they can damage your components or hardware if used incorrectly.

! The most common mistakes made during assembly are using the wrong hardware or getting components back to front.

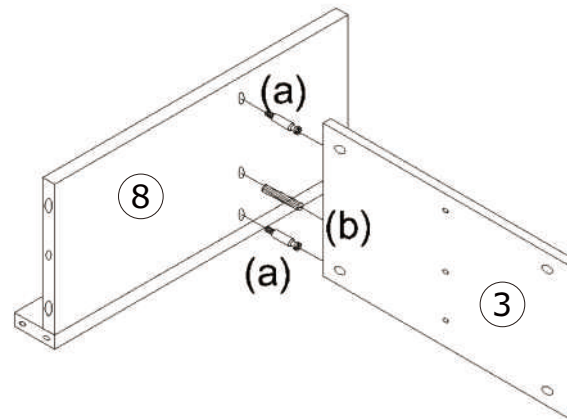
! Always use a soft surface (such as carpet or cardboard) when assembling your product to avoid scratching or damaging the surface of the product.

1



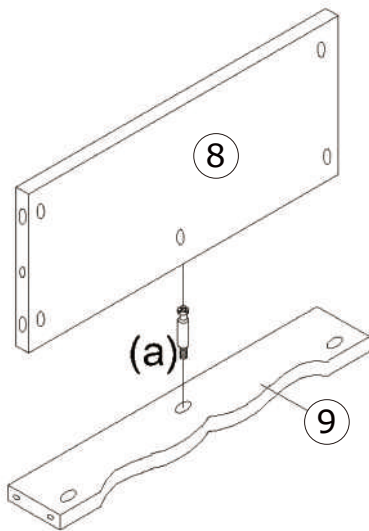
i 4PCS	m 8PCS

3



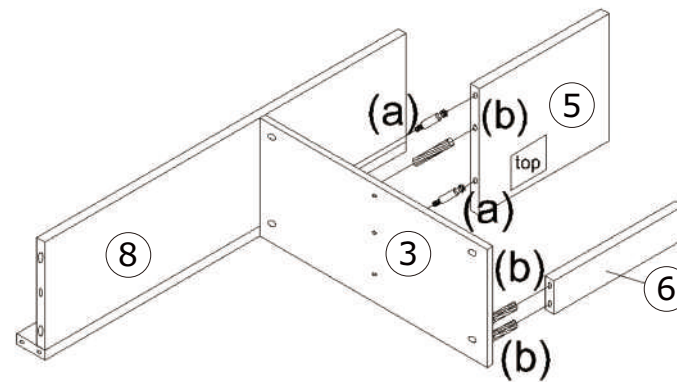
a 2PCS	b 2PCS

2

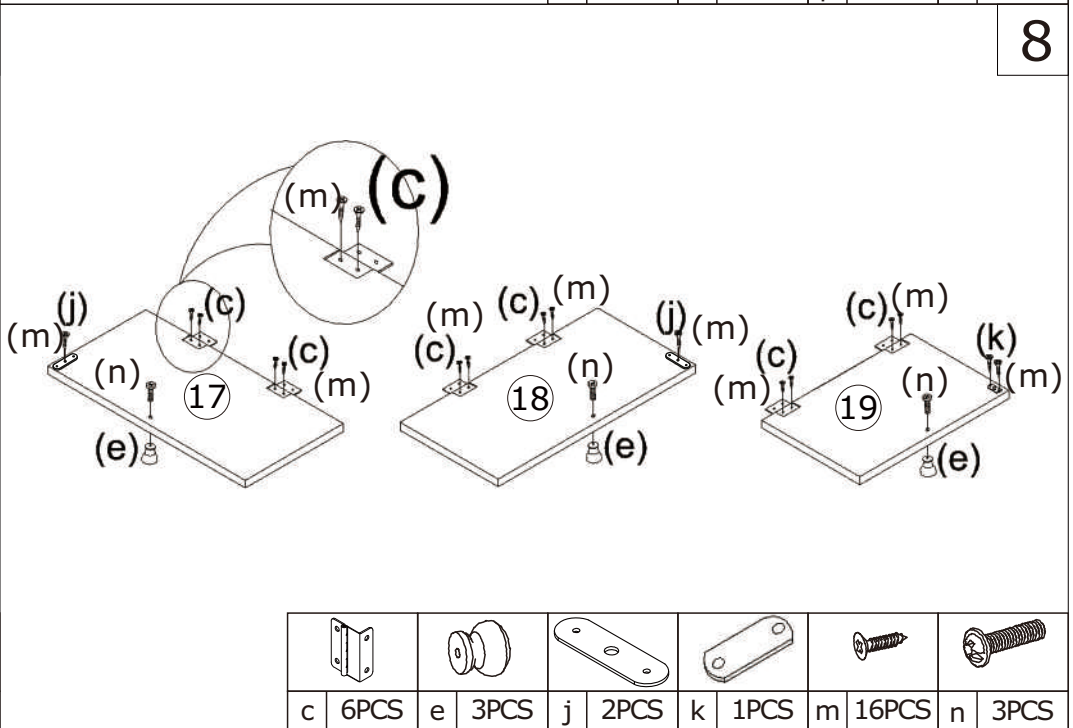
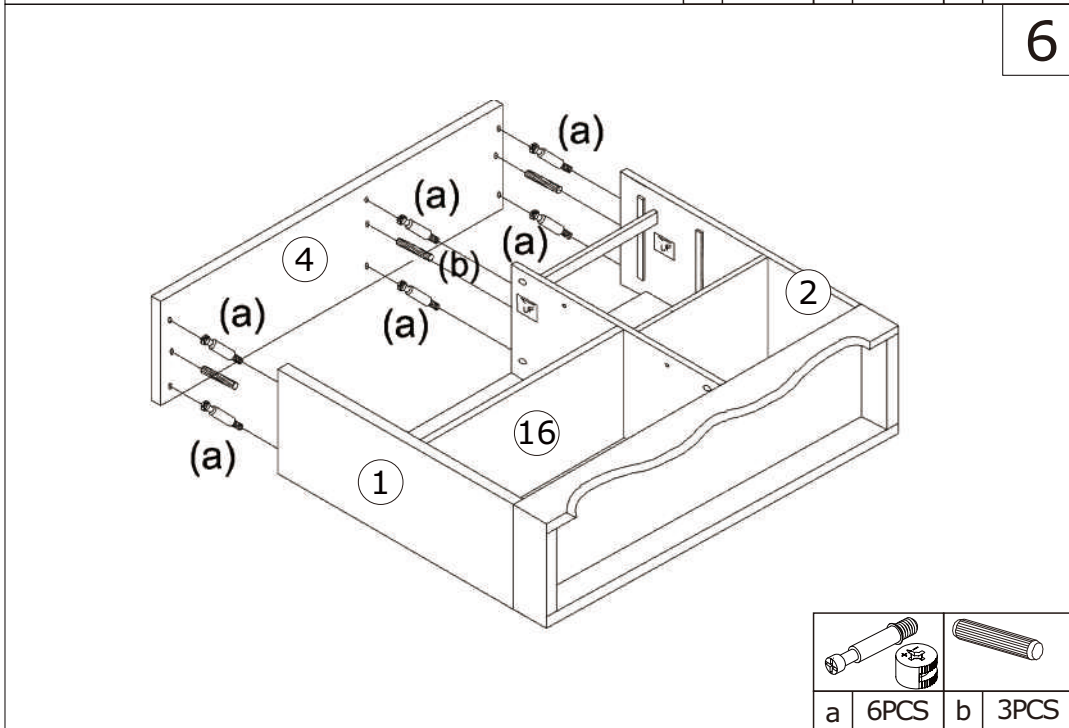
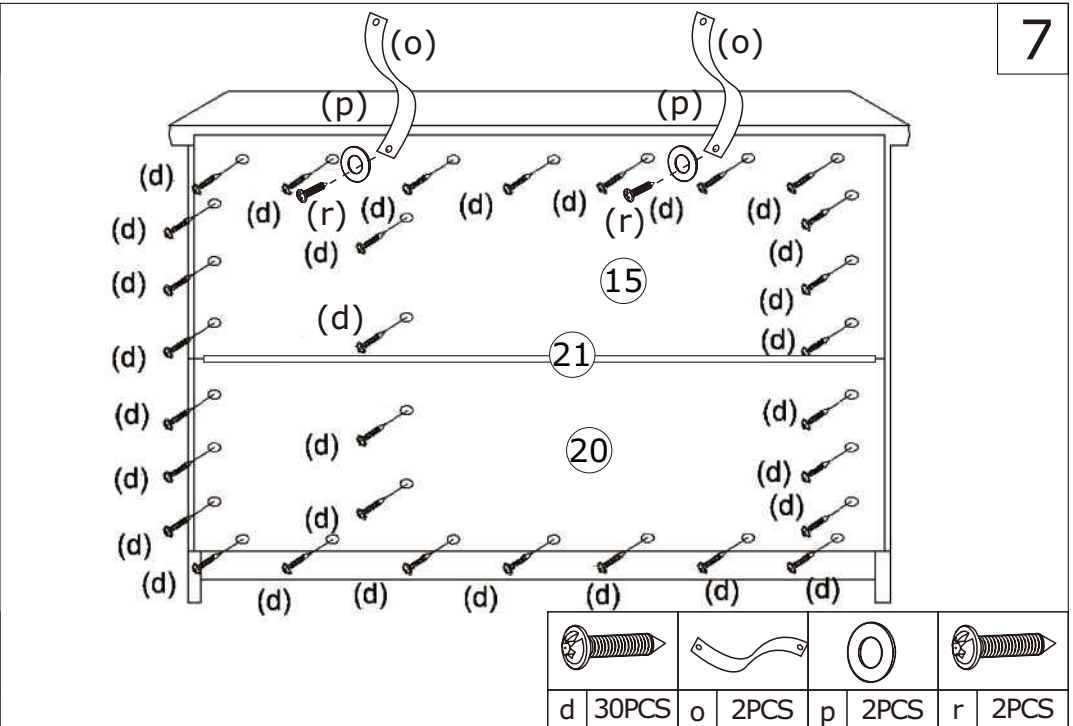
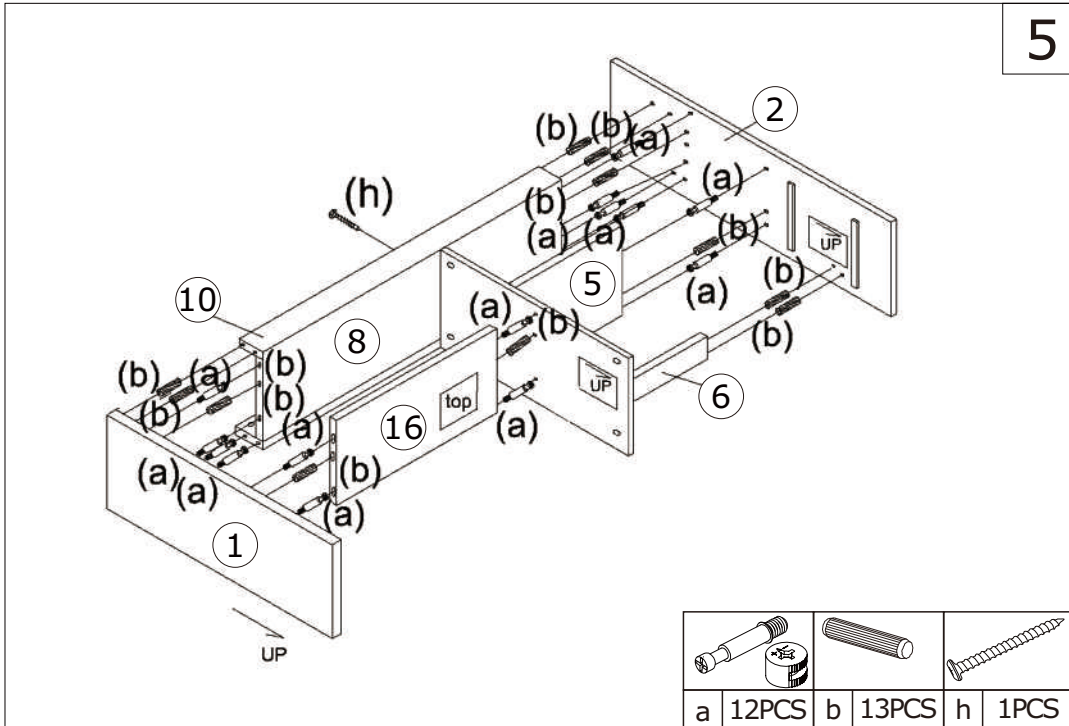


a 1PCS

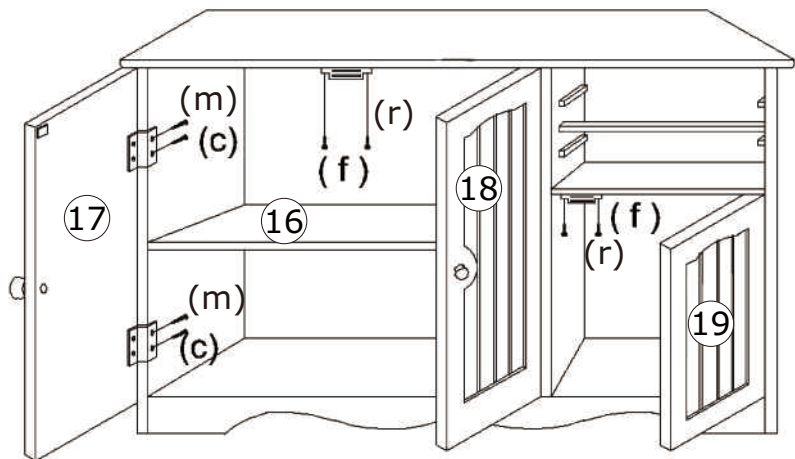
4



a 2PCS	b 3PCS

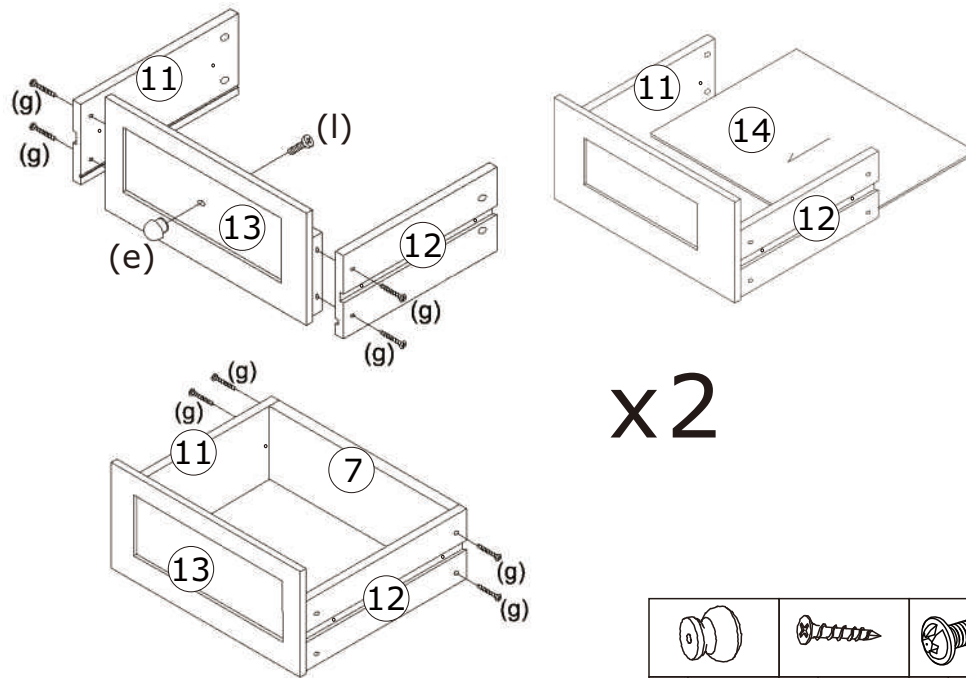


9



f 2PCS	m 12PCS	r 4PCS

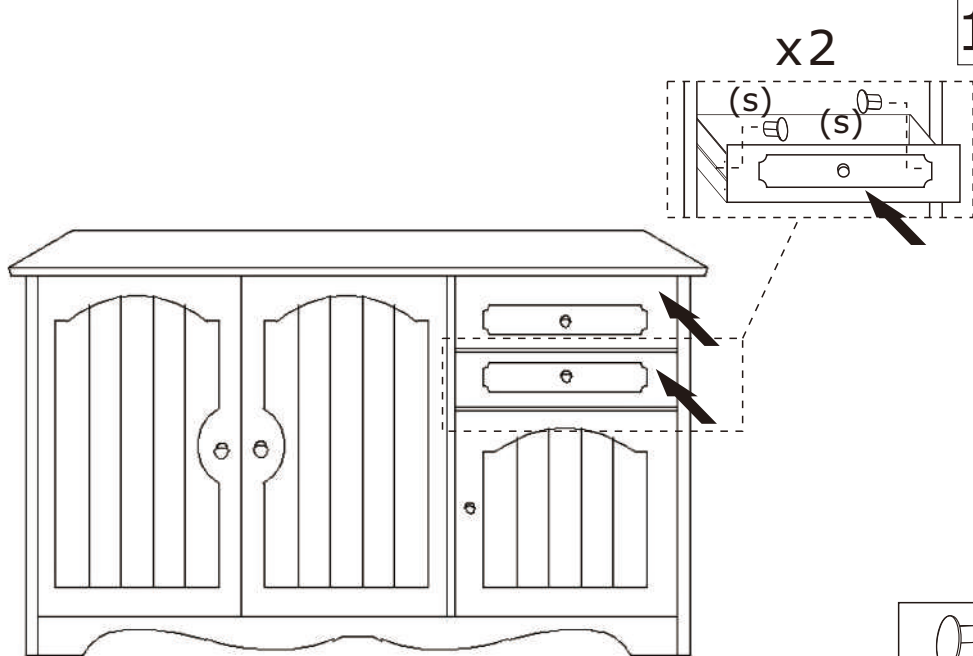
11



x2

e 2PCS	g 16PCS	l 2PCS

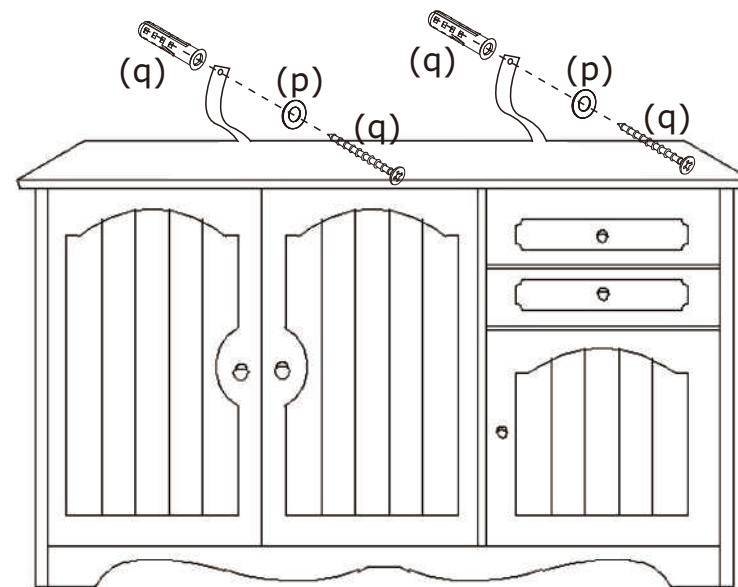
10



x2

s 4PCS

12



p 2PCS	q 2PCS