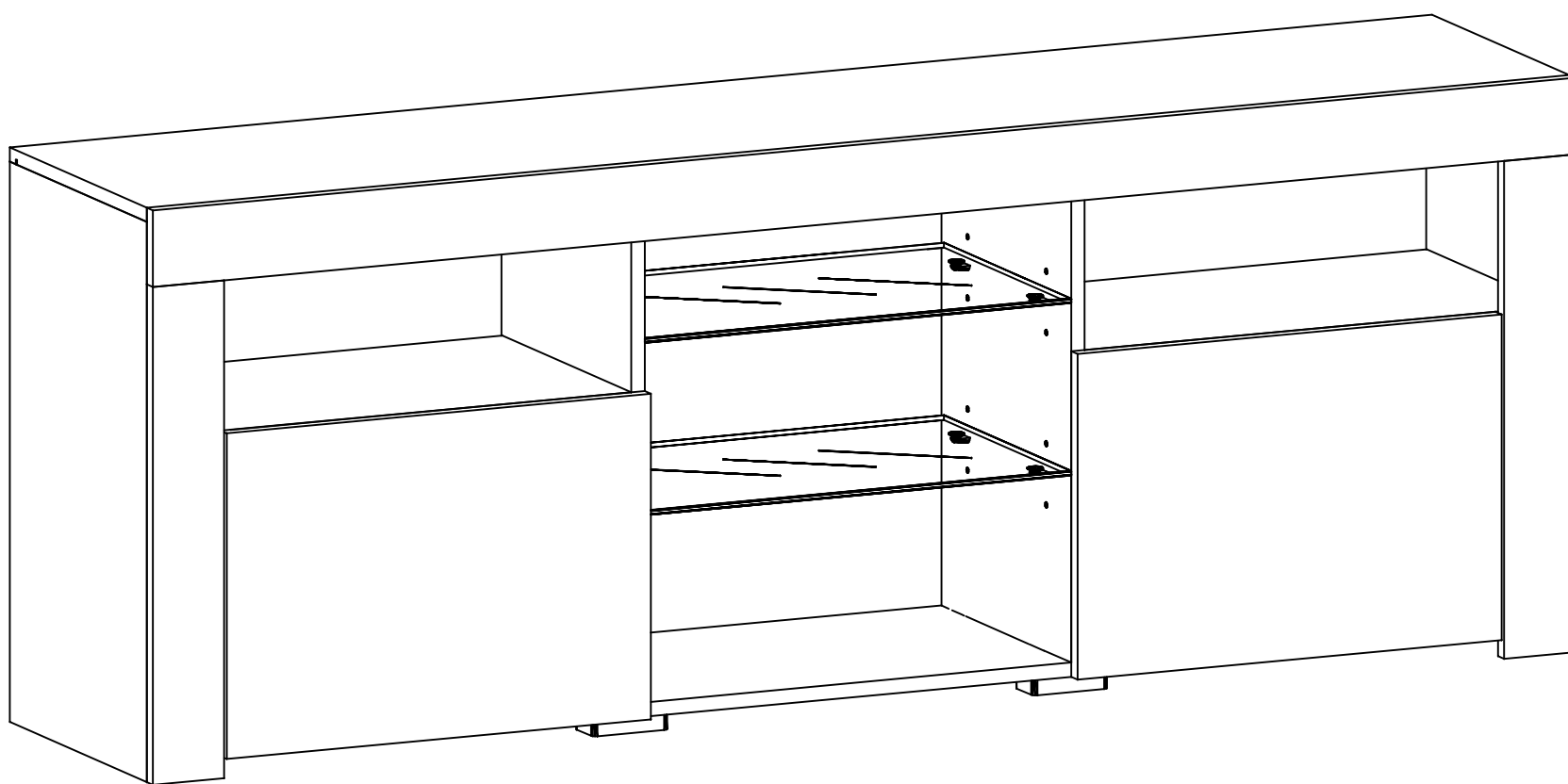
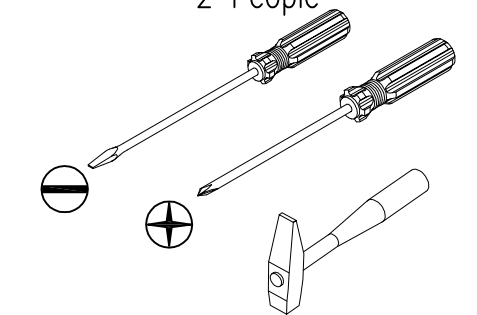
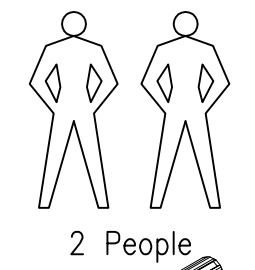
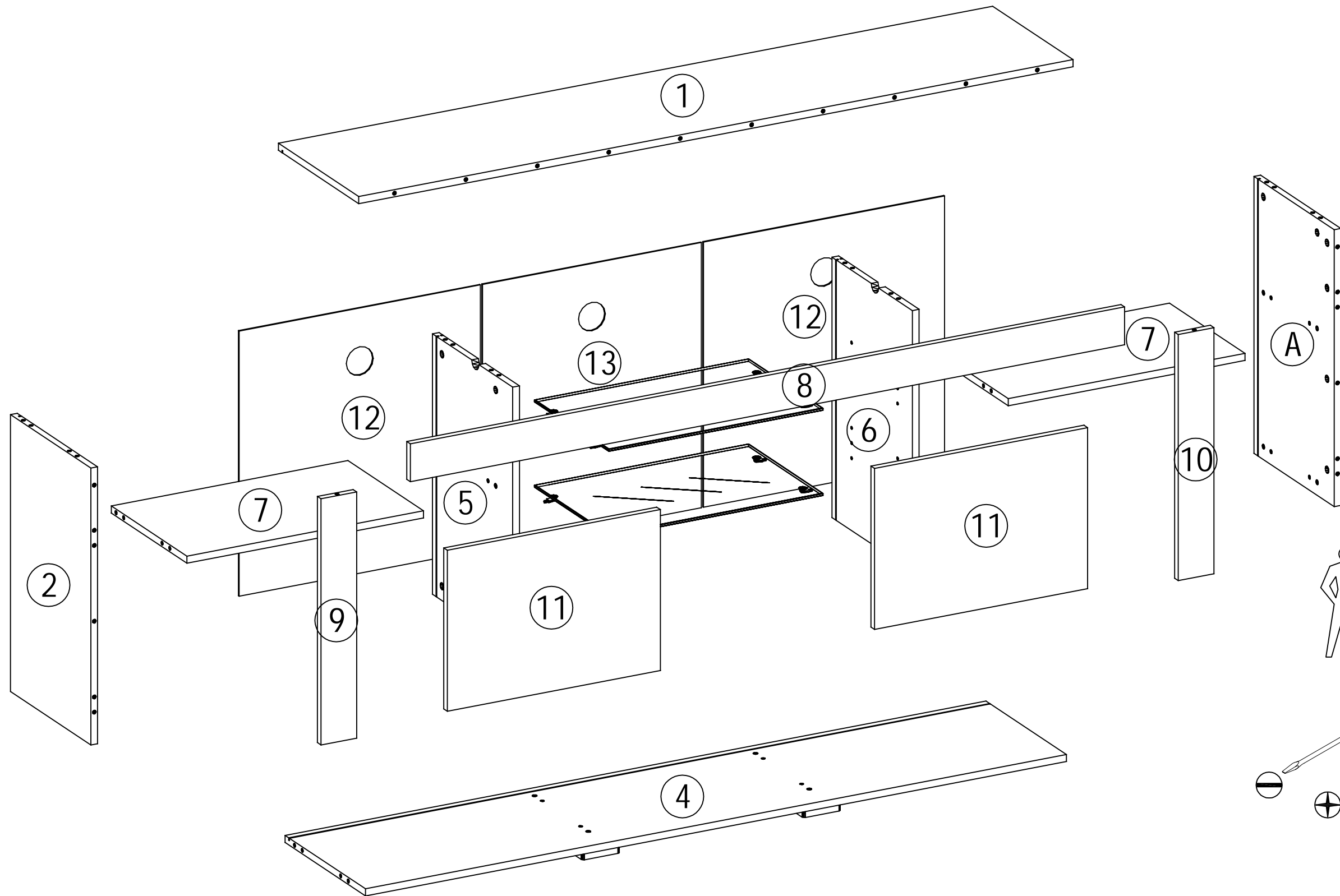


# FURNI-O-LED-TV160



## Warning instructions:

1. Assembly should to be carried out by a competent adult only.
2. Regularly check all parts firmly fixed to ensure the furniture for safe use.
3. Wipe clean only.
4. The warning sticker on the furniture is a mandatory requirement in Australia, and it can be removed by wet cloth.



<b>B</b>   38 PCS	<b>C</b>   38 PCS	<b>D</b>   34 PCS	<b>E</b>   2 PCS	<b>F</b>   42 PCS	<b>G</b>   8 PCS	<b>H</b>   4 PCS	<b>J</b>   4 PCS	<b>K</b>   2 PCS	
<b>L</b>   2 PCS	<b>M</b>   8 PCS	<b>N</b>   4 PCS	<b>P</b>   6 PCS	<b>Q</b>   2 PCS	<b>R</b>   12 PCS	<b>S</b>   3 PCS	<b>T</b>   6 PCS	<b>U</b>   1 PCS	<b>W</b>   4 PCS

# Assembly checklist



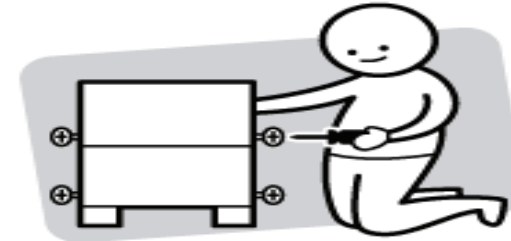
Read through the instructions carefully before you begin.



Make sure you have all the required tools. Do not use power tools.



Identify and lay out all of the components before you begin assembly.



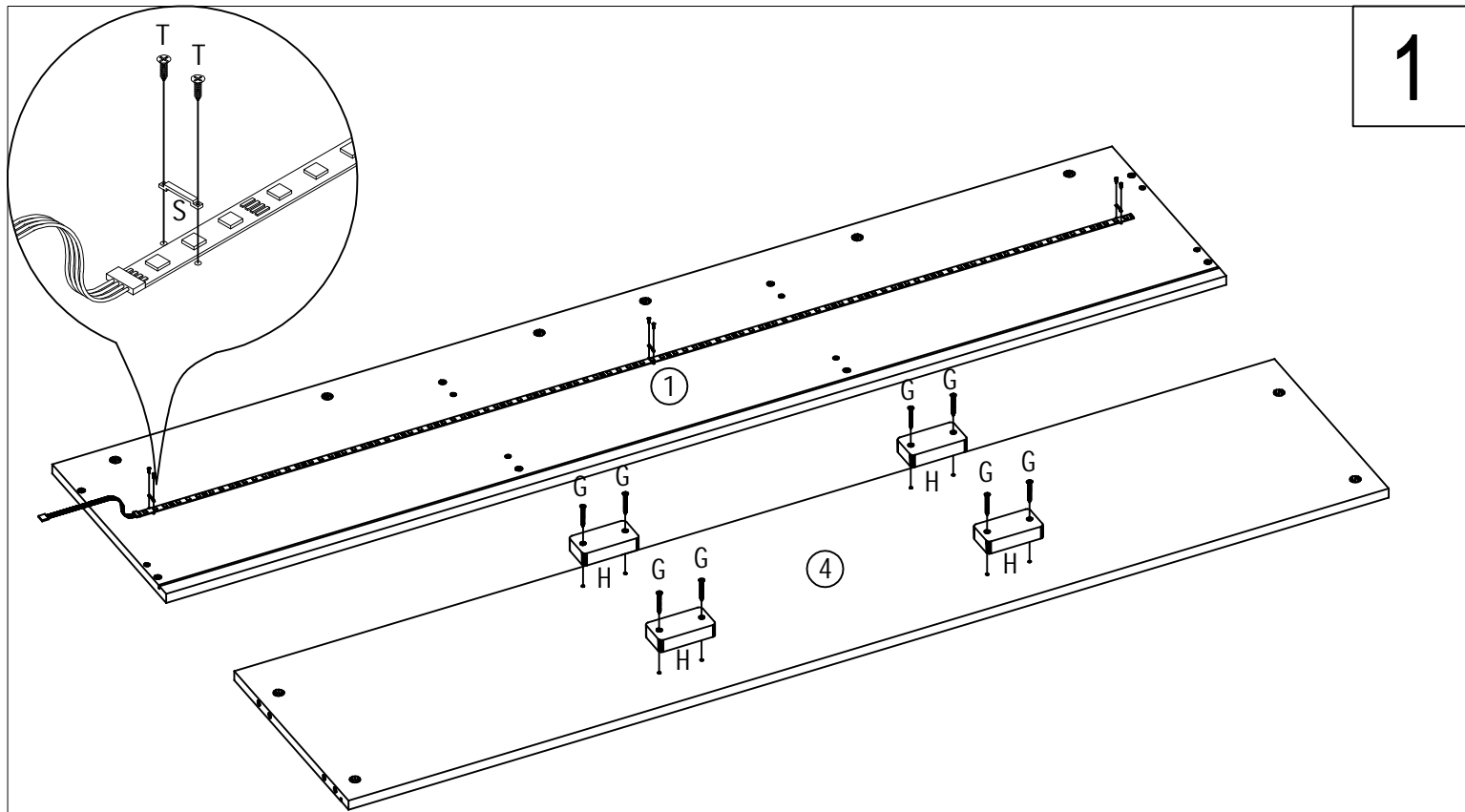
Do not fully tighten all screws until step/ process finished.

## Useful Information

! Never use power tools, they can damage your components or hardware if used incorrectly.

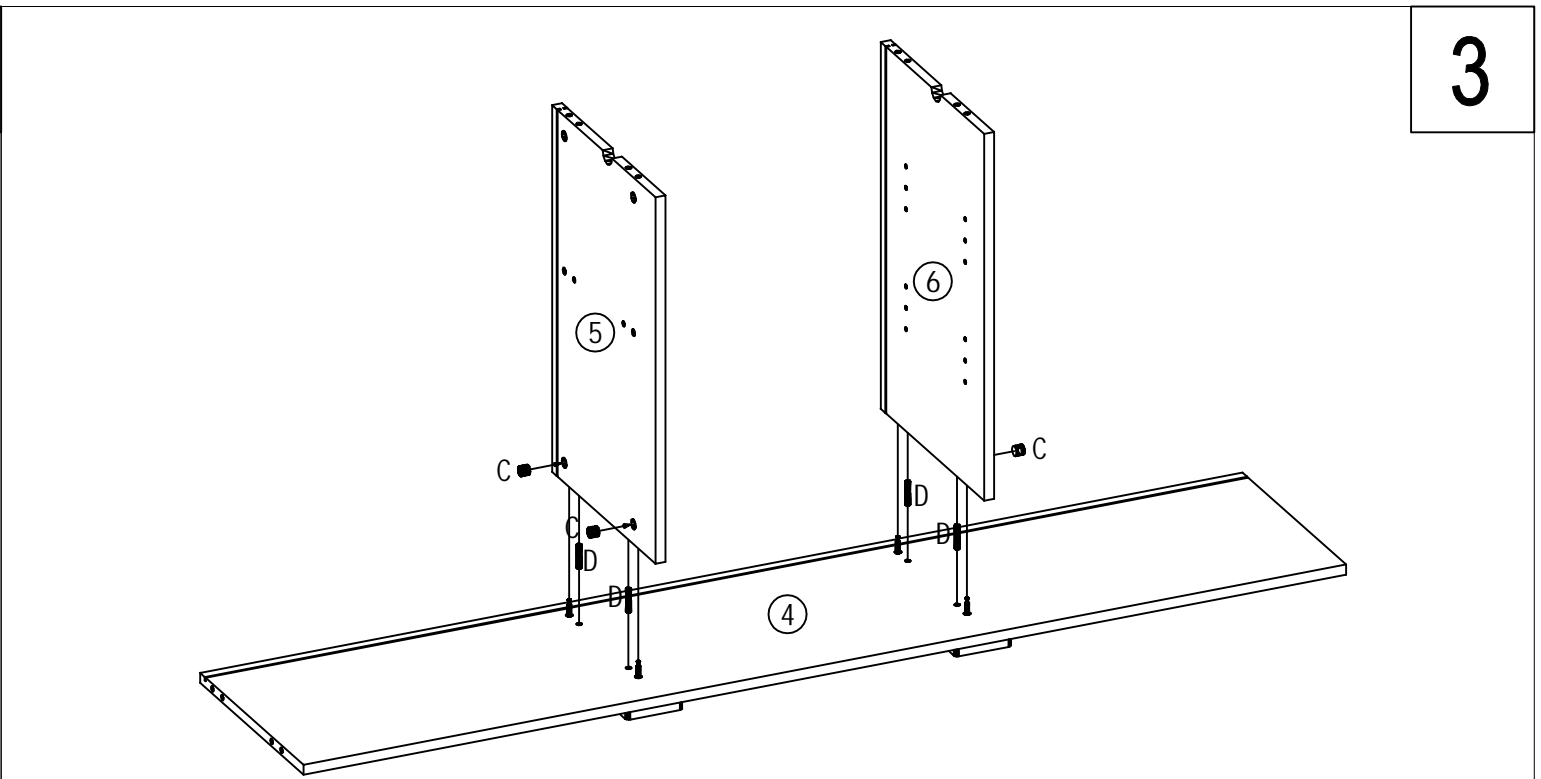
! The most common mistakes made during assembly are using the wrong hardware or getting components back to front.

! Always use a soft surface (such as carpet or cardboard) when assembling your product to avoid scratching or damaging the surface of the product.

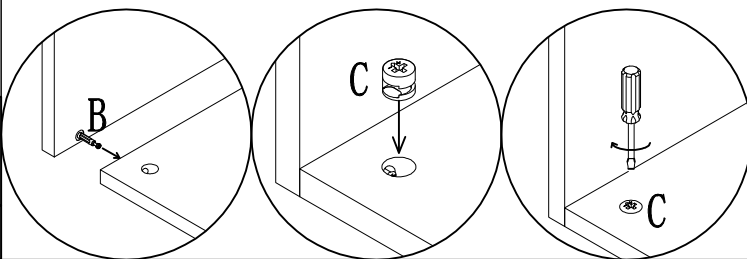


1

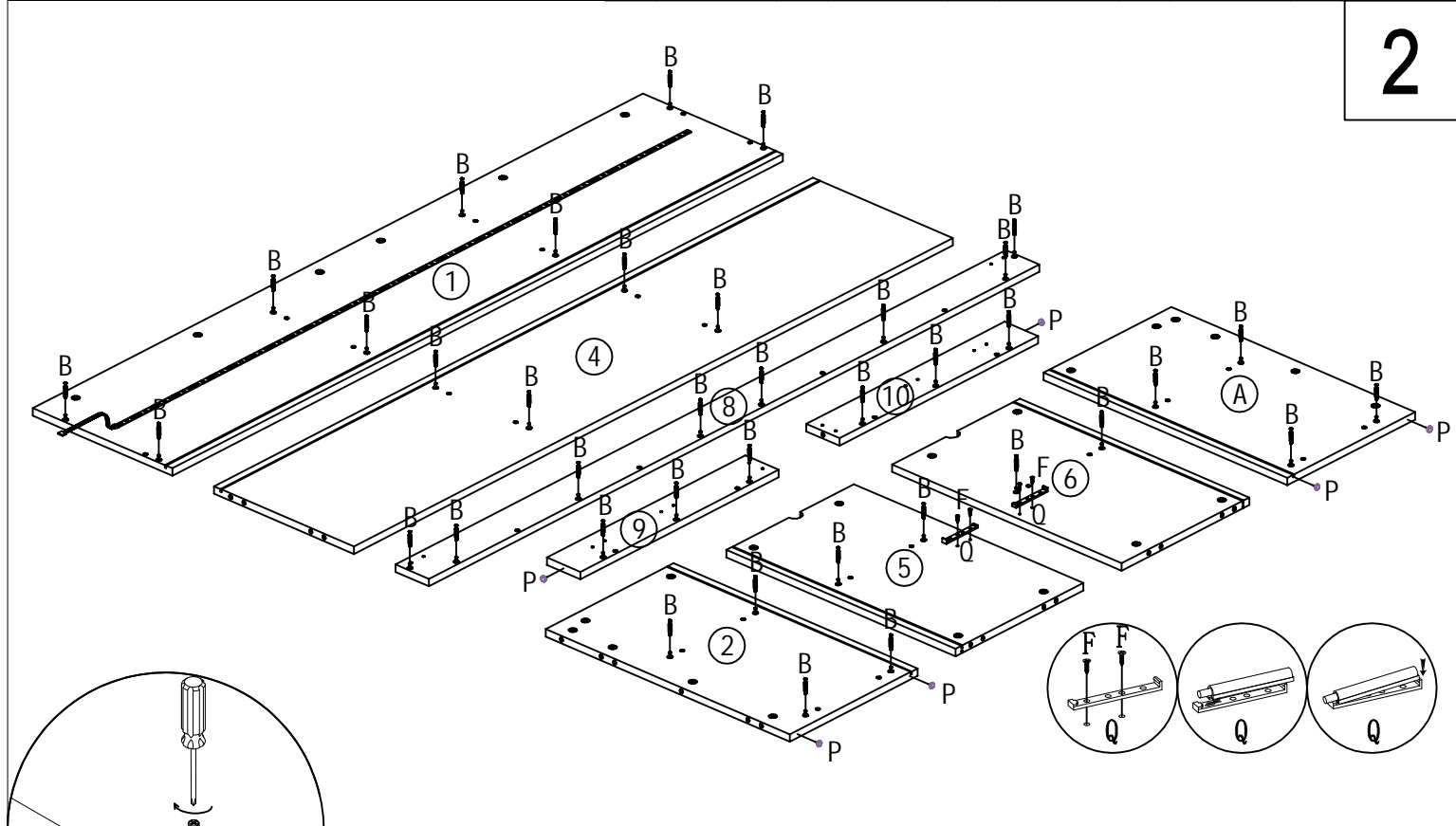
G 8 PCS	H 4 PCS	S 3 PCS	T 6 PCS	U 1 PCS



3

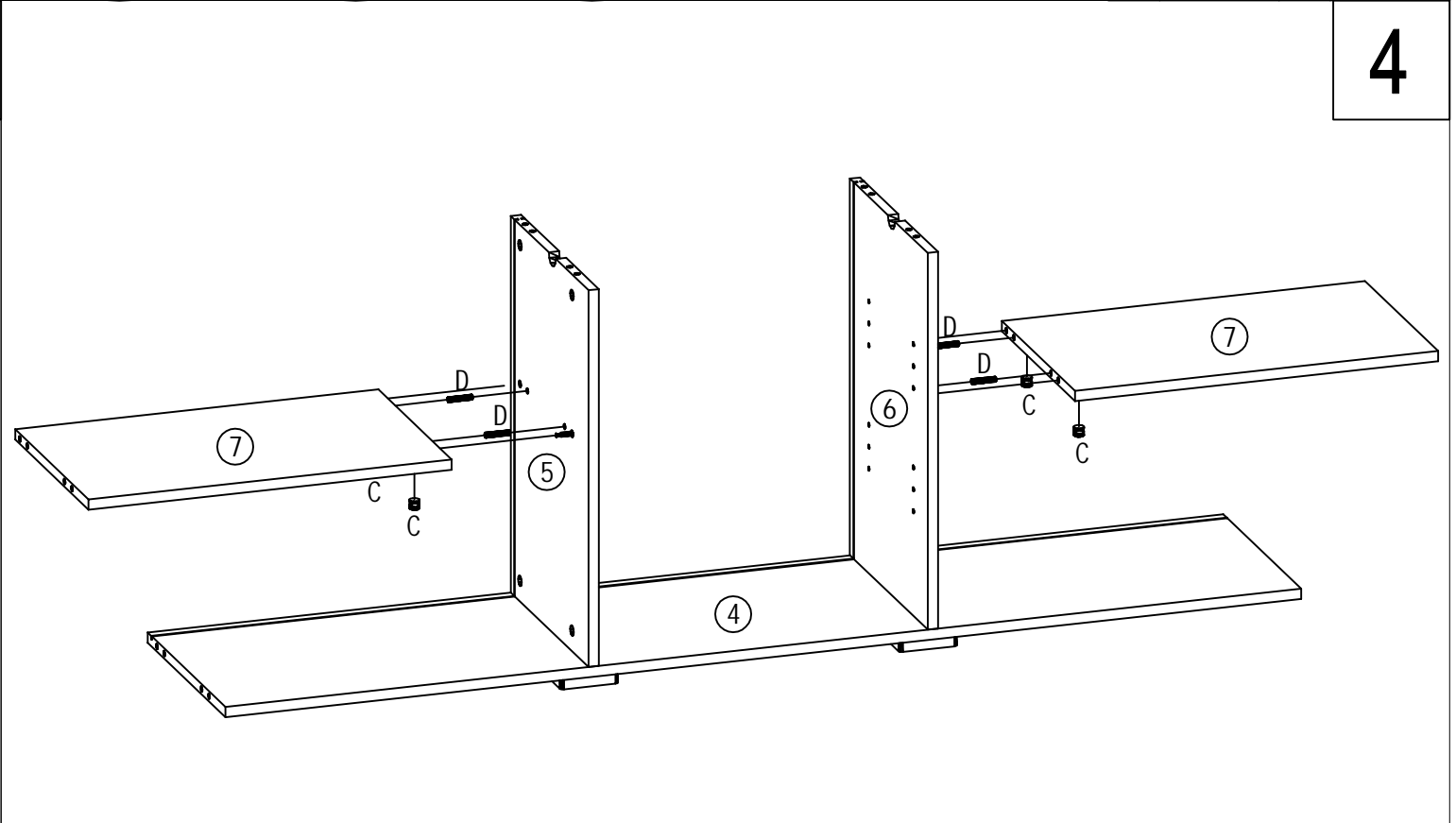


C 4 PCS	D 4 PCS



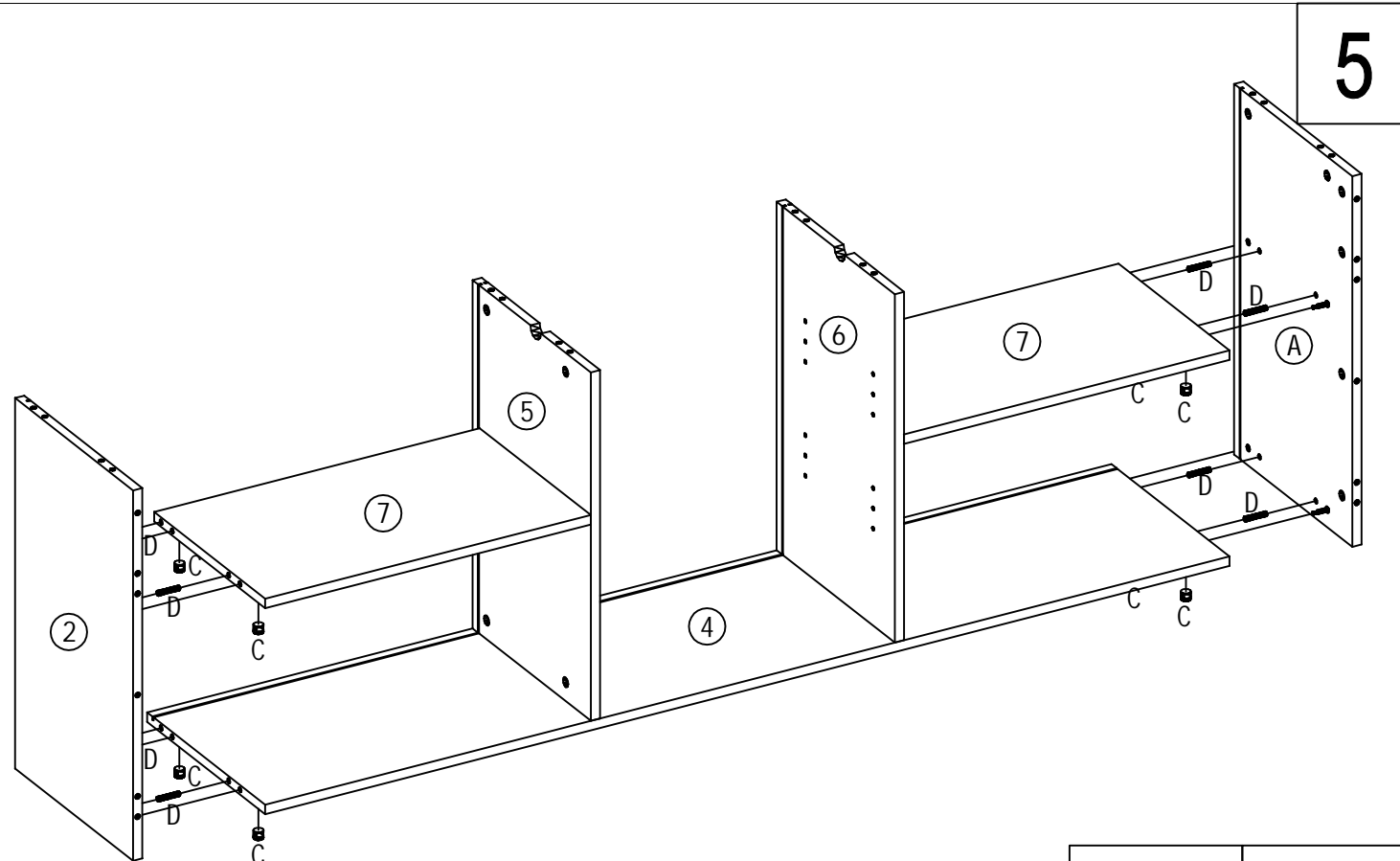
2

B 38 PCS	F 4 PCS	P 6 PCS	Q 2 PCS



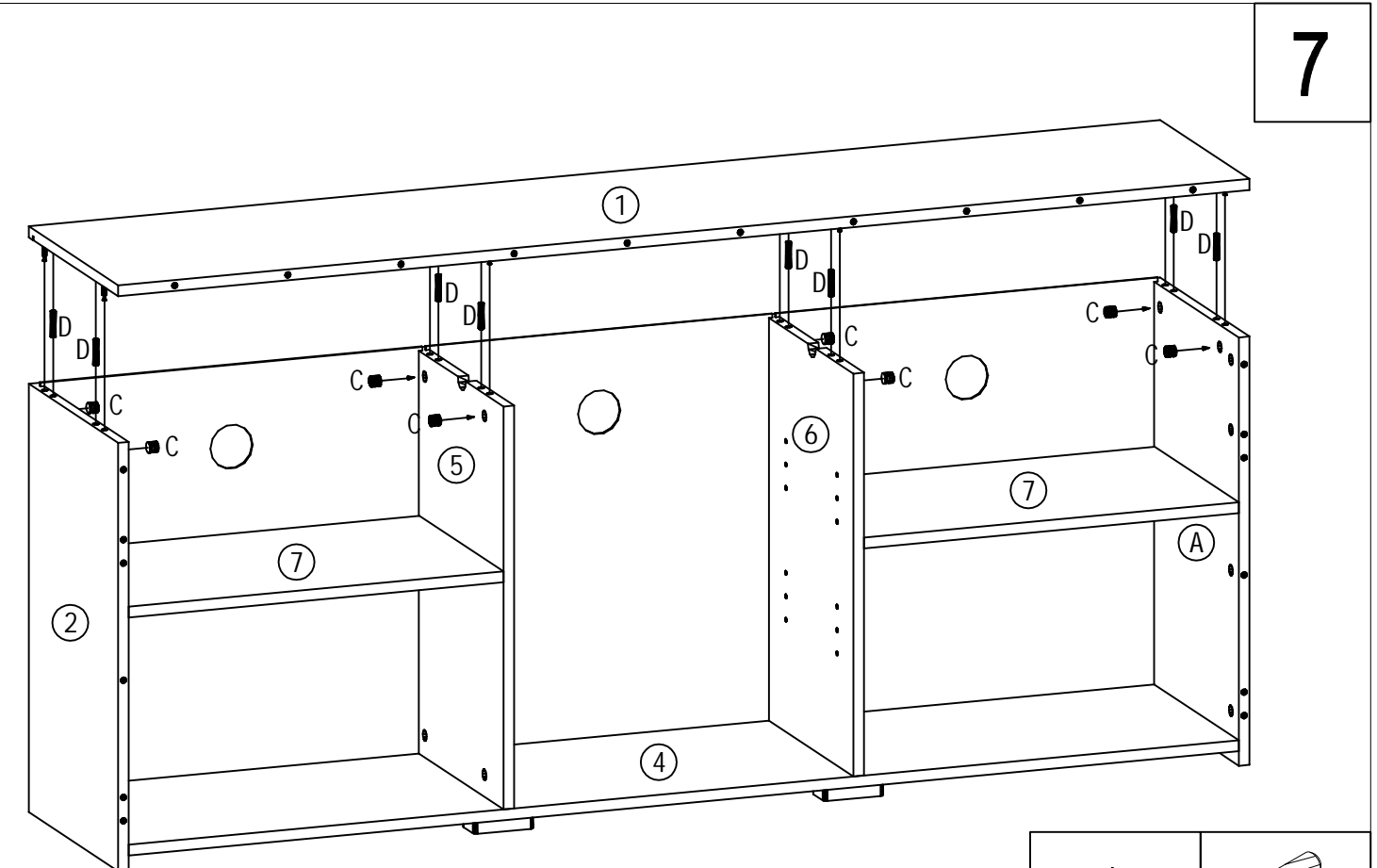
4

C 4 PCS	D 4 PCS



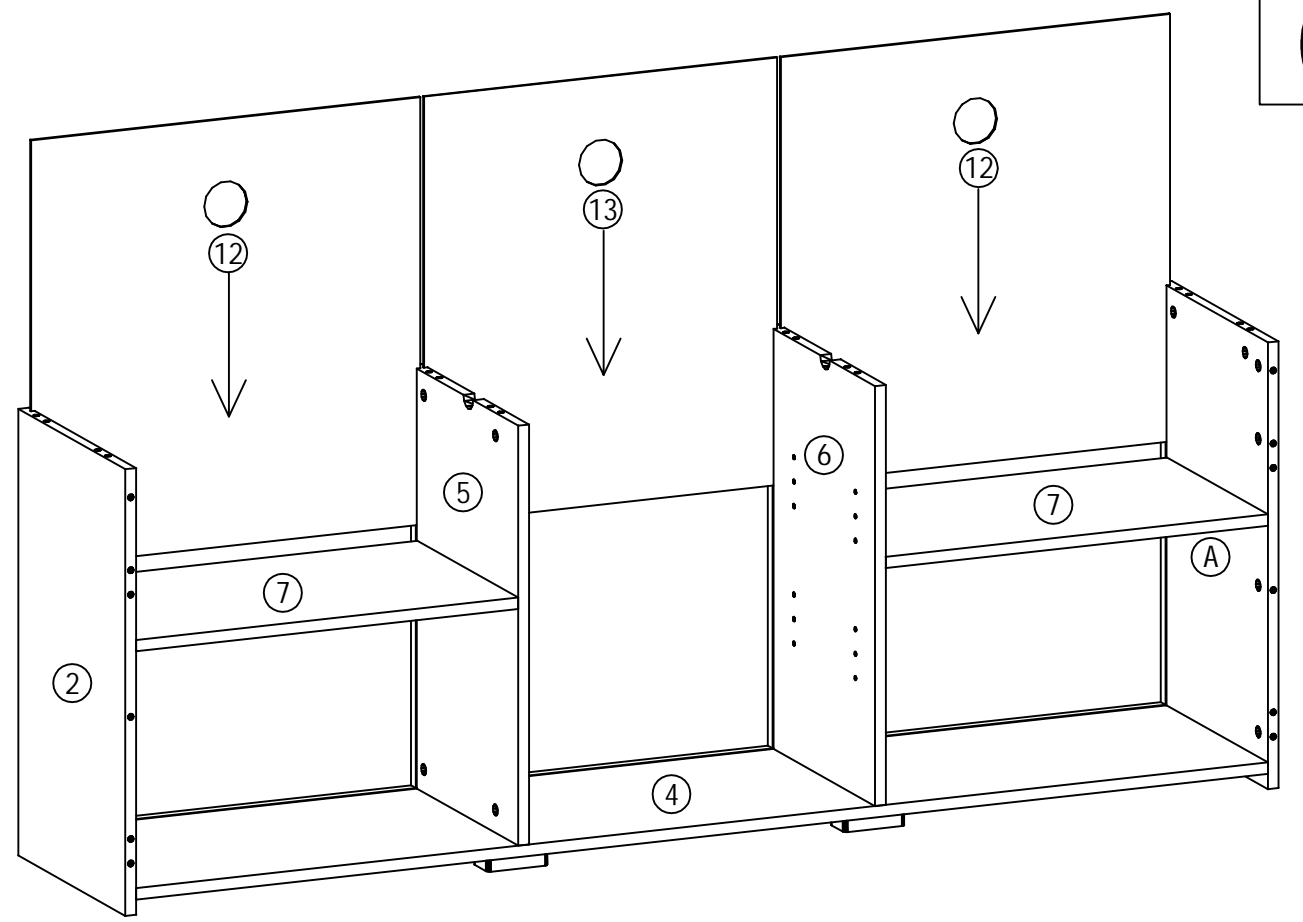
5

	±15*11mm		±8*40mm
C	8 PCS	D	8 PCS

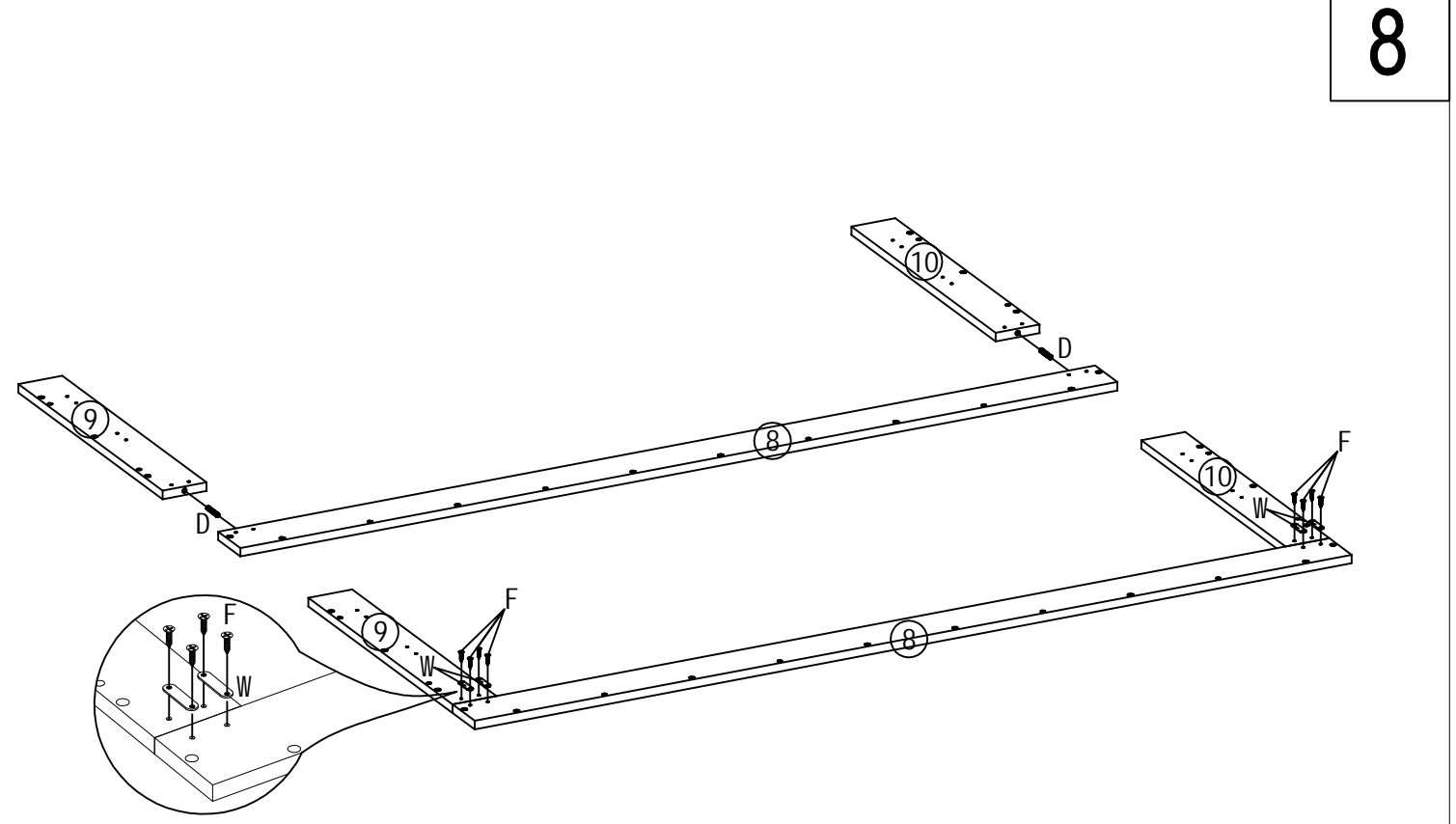


7

	±15*11mm		±8*40mm
C	8 PCS	D	8 PCS

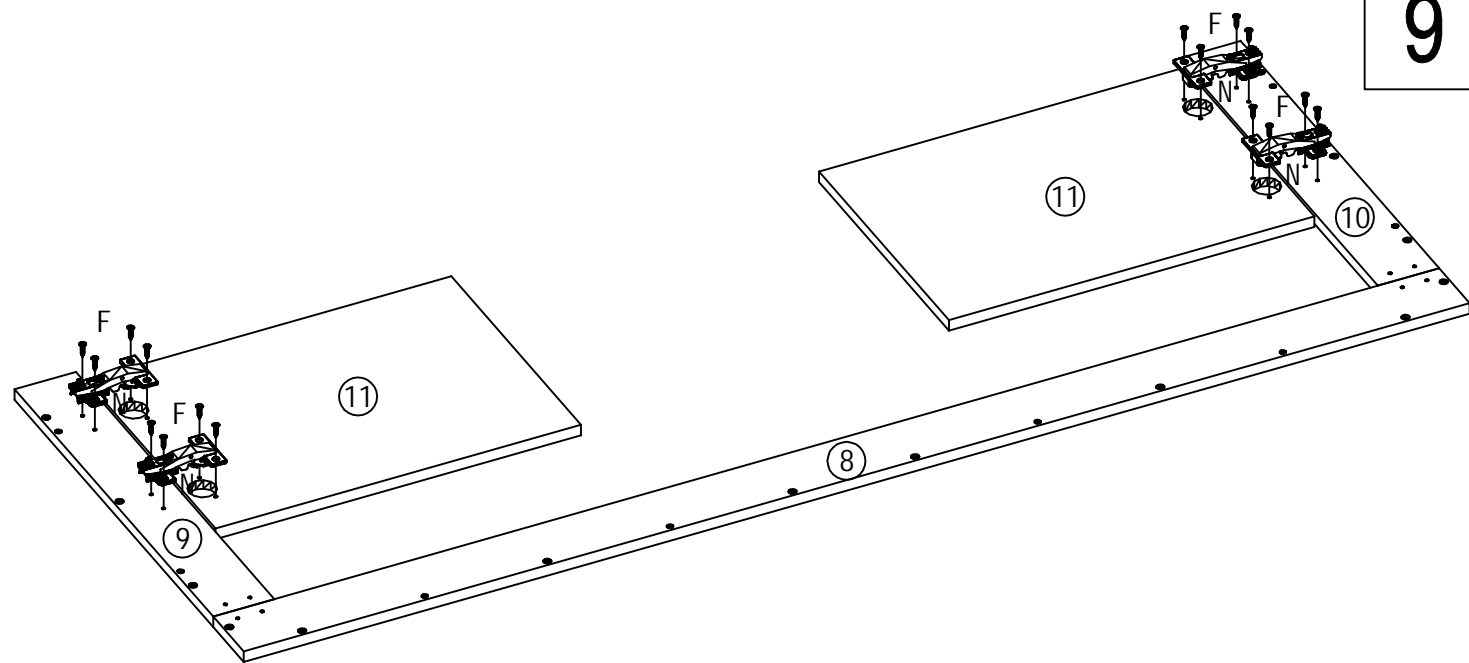


6





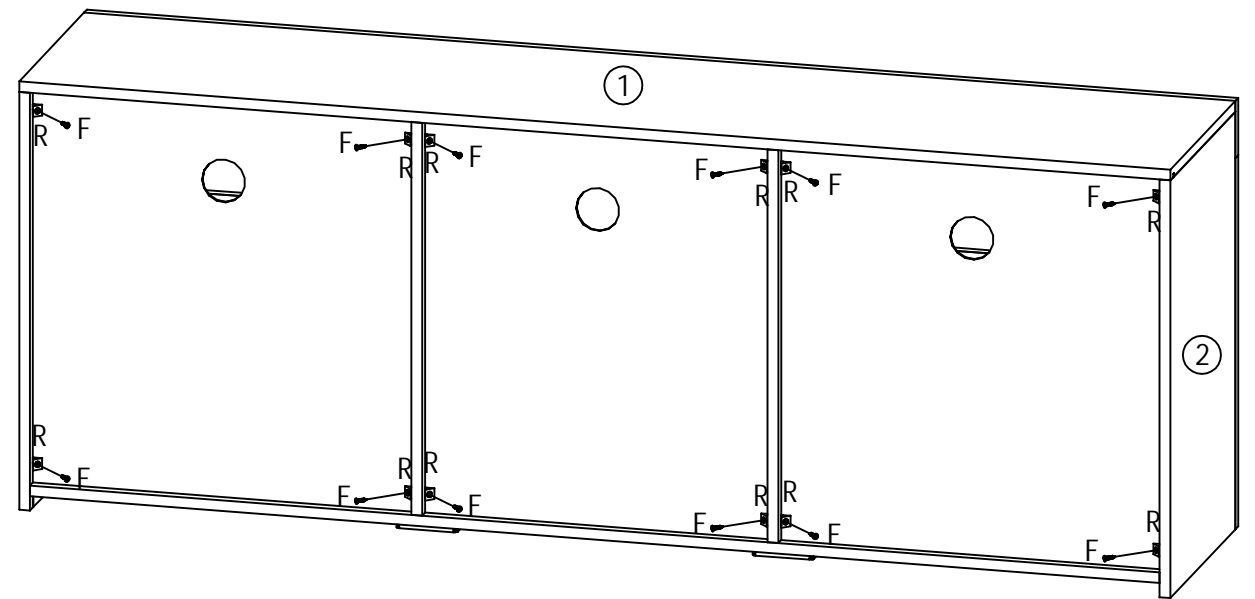
8

	±8*40mm		ST3.5*14mm		
D	2 PCS	F	8 PCS	W	4 PCS





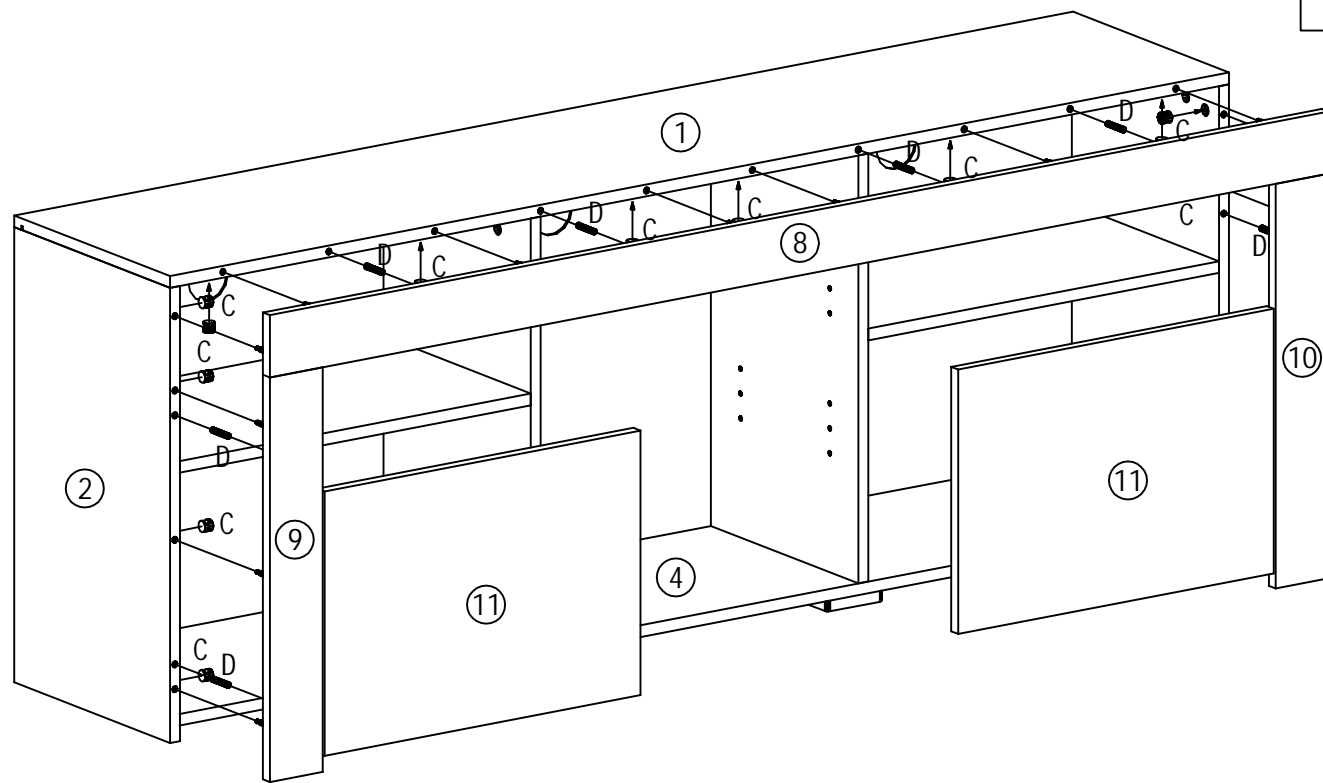
9

	
ST3.5*14mm	
F 16 PCS	N 4 PCS





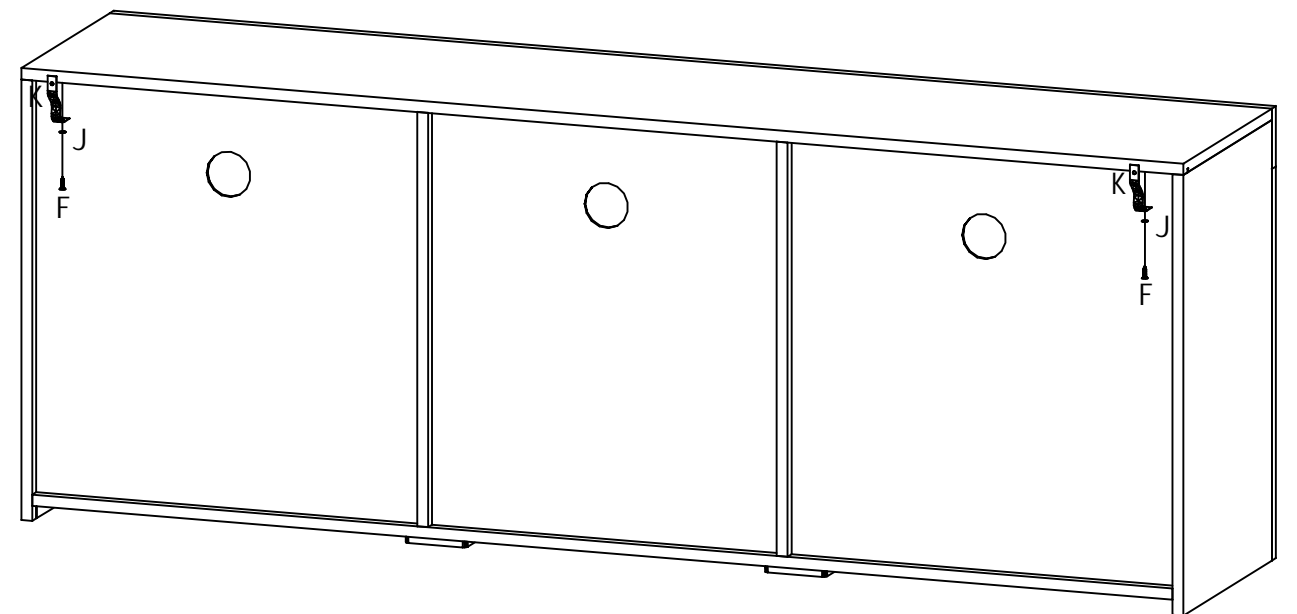
11

	
ST3.5*14mm	
F 12 PCS	R 12 PCS






10

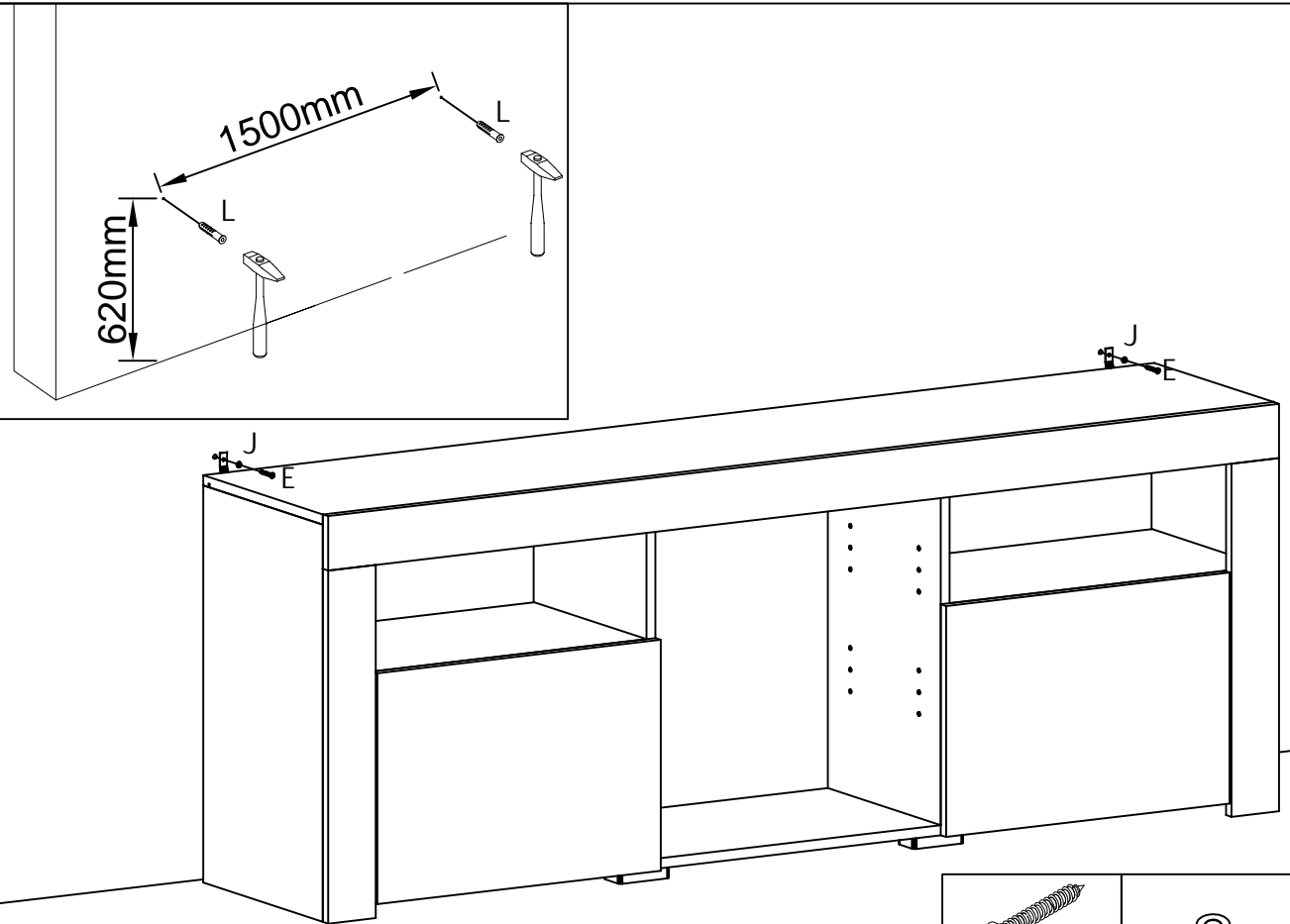
	
∅15*11mm	∅8*40mm
C 14 PCS	D 8 PCS



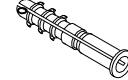


12

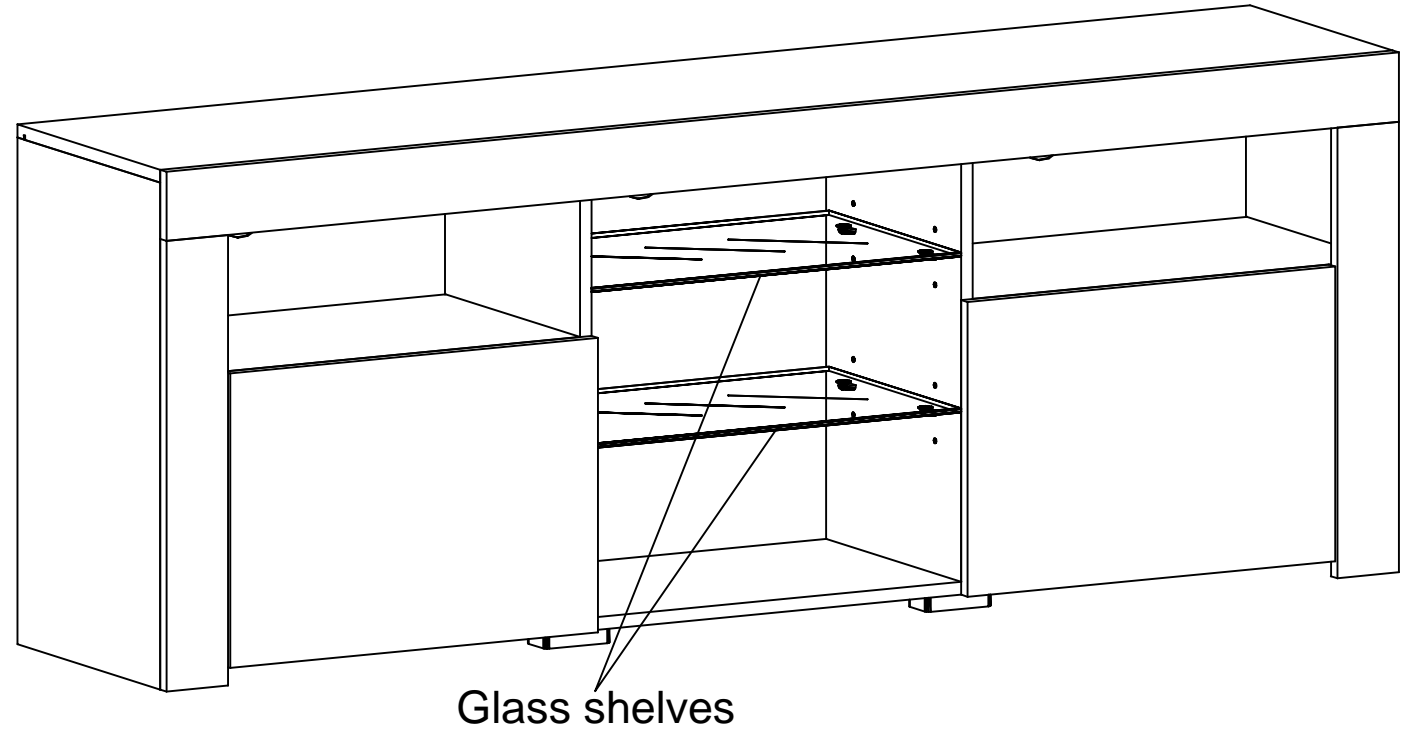
		
ST3.5*14mm		
F 2 PCS	J 2 PCS	K 2 PCS

13

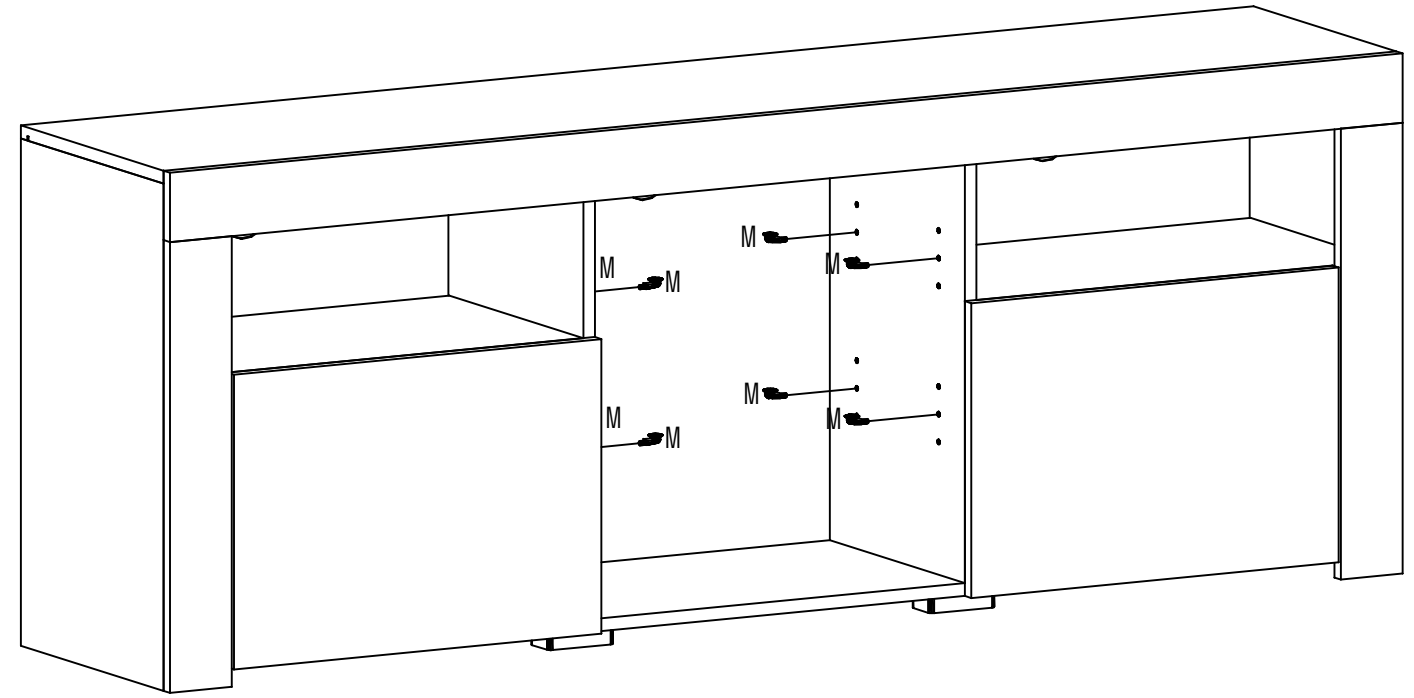



					
ST3.5*35mm					
E	2 PCS	J	2 PCS	L	2 PCS

15



14

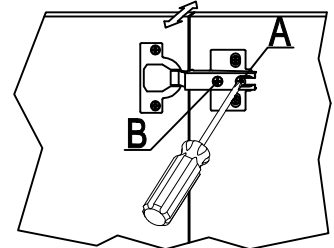
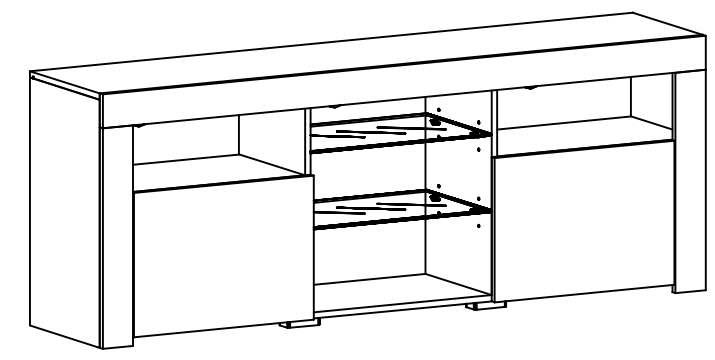


	
M	8 PCS

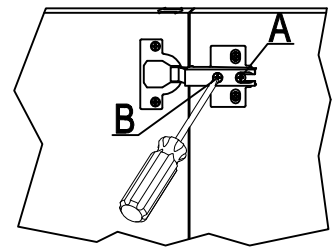
16

### Hinge Adjustment

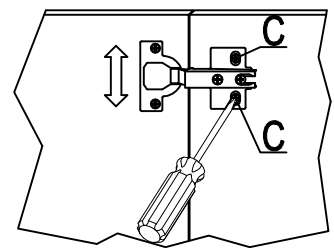
If the doors do not appear square or aligned, loosen or tighten the appropriate screws on each case hinge as illustrated.



1) Side to side adjustment:  
Loosen screw A, adjust gap with screw B and re-tighten screw A.



2) Depth adjustment:  
Loosen screw A, push hinge arm forwards or backwards, re-tighten screw A and screw B with a 1/4 turn clockwise.



3) Height adjustment:  
Loosen screw C, adjust door height and re-tighten screw C.

## LED light

If you can't let the lights work successfully, please check the following:

1. Please check the direction of the connect, try it in the opposite direction, according to the following picture.
2. Please check the remote control, it need you to tear down the plastic septum before use it.
3. Don't let the remote control too far from the receiver, make sure there is no obstruction between them.

