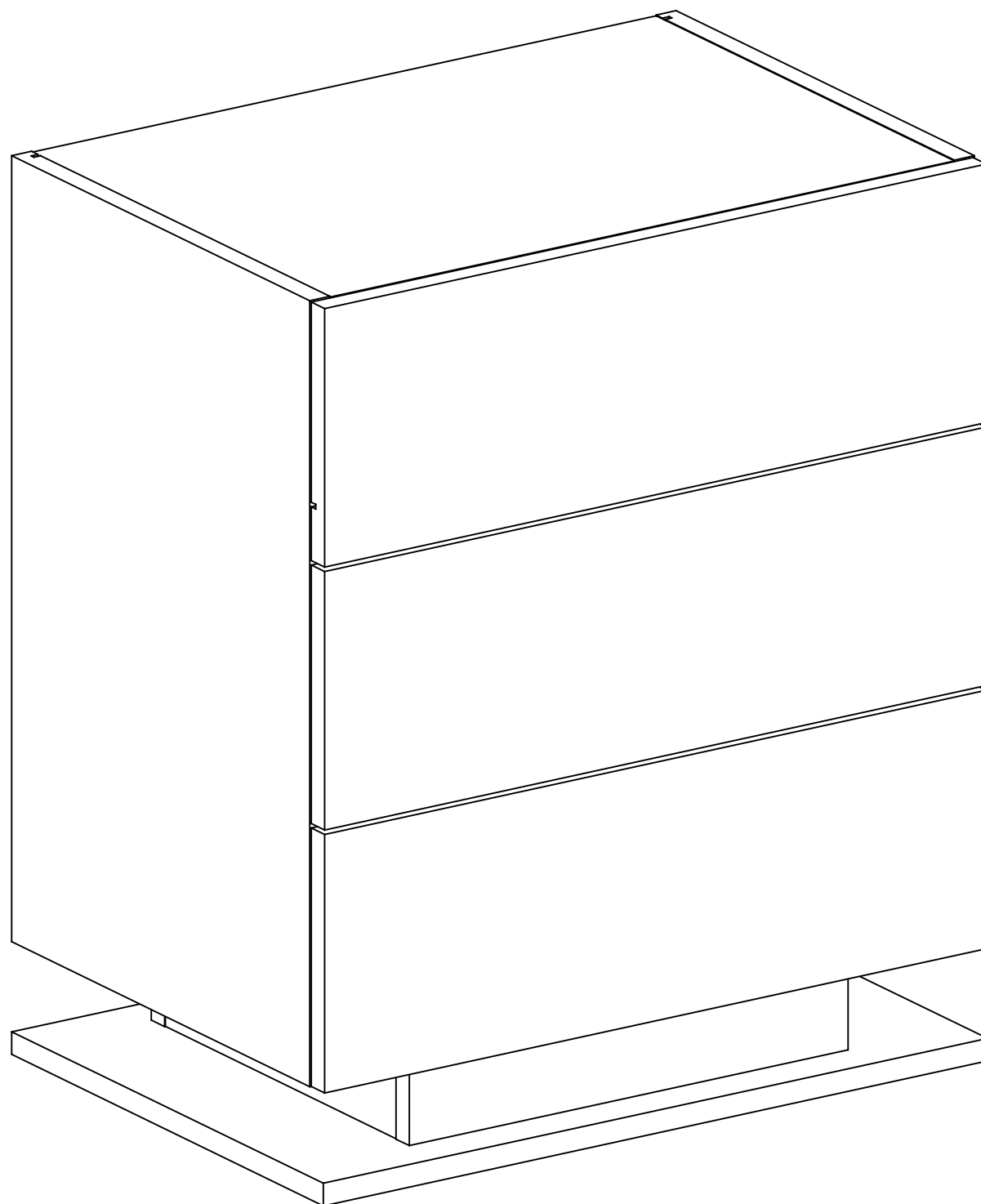
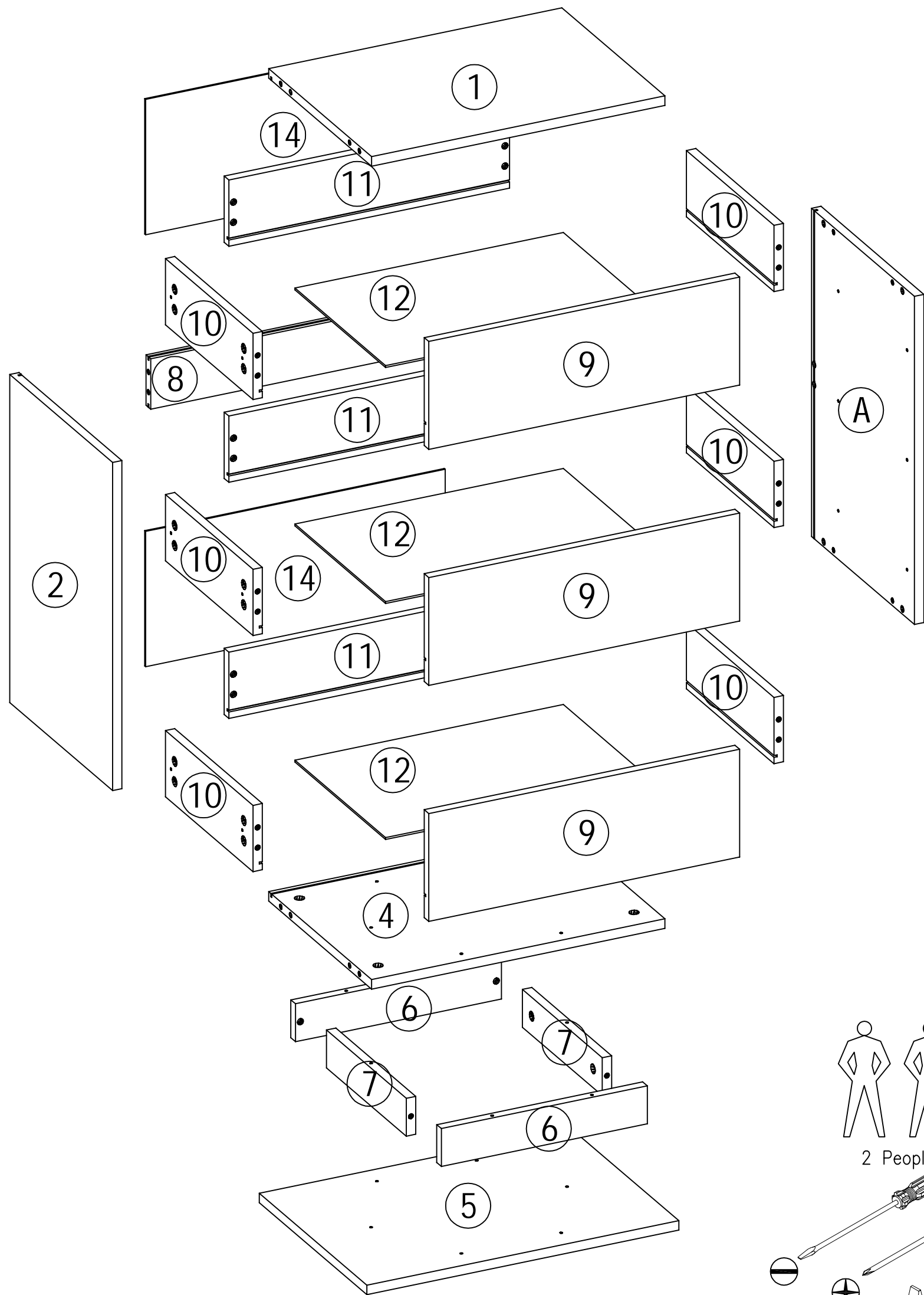




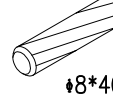




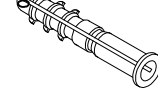

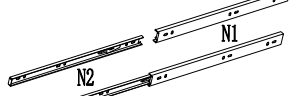
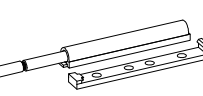
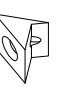



FURNI-O-LED-BS-02



Warning instructions:

1. Assembly should to be carried out by a competent adult only.
2. Regularly check all parts firmly fixed to ensure the furniture for safe use.
3. Wipe clean only.
4. The warning sticker on the furniture is a mandatory requirement in Australia, and it can be removed by wet cloth.



 φ6*38mm	 φ15*11mm	 φ8*40mm	 ST3.5*35mm	 ST3.5*14mm			
B 40 PCS	C 40 PCS	D 12 PCS	E 14 PCS	F 40 PCS	J 4 PCS	K 2 PCS	L 2 PCS
	 N1 N2					 ST3*12mm	 LED TAPE
M 4 PCS	N 6 PCS		Q 3 PCS	R 8 PCS	S 6 PCS	T 12 PCS	U 1 PCS

Assembly checklist



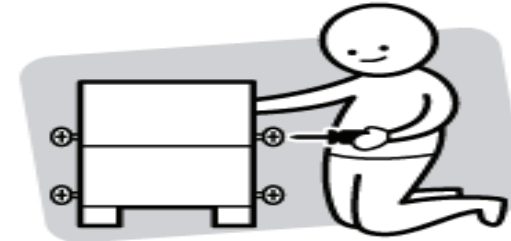
Read through the instructions carefully before you begin.



Make sure you have all the required tools. Do not use power tools.



Identify and lay out all of the components before you begin assembly.



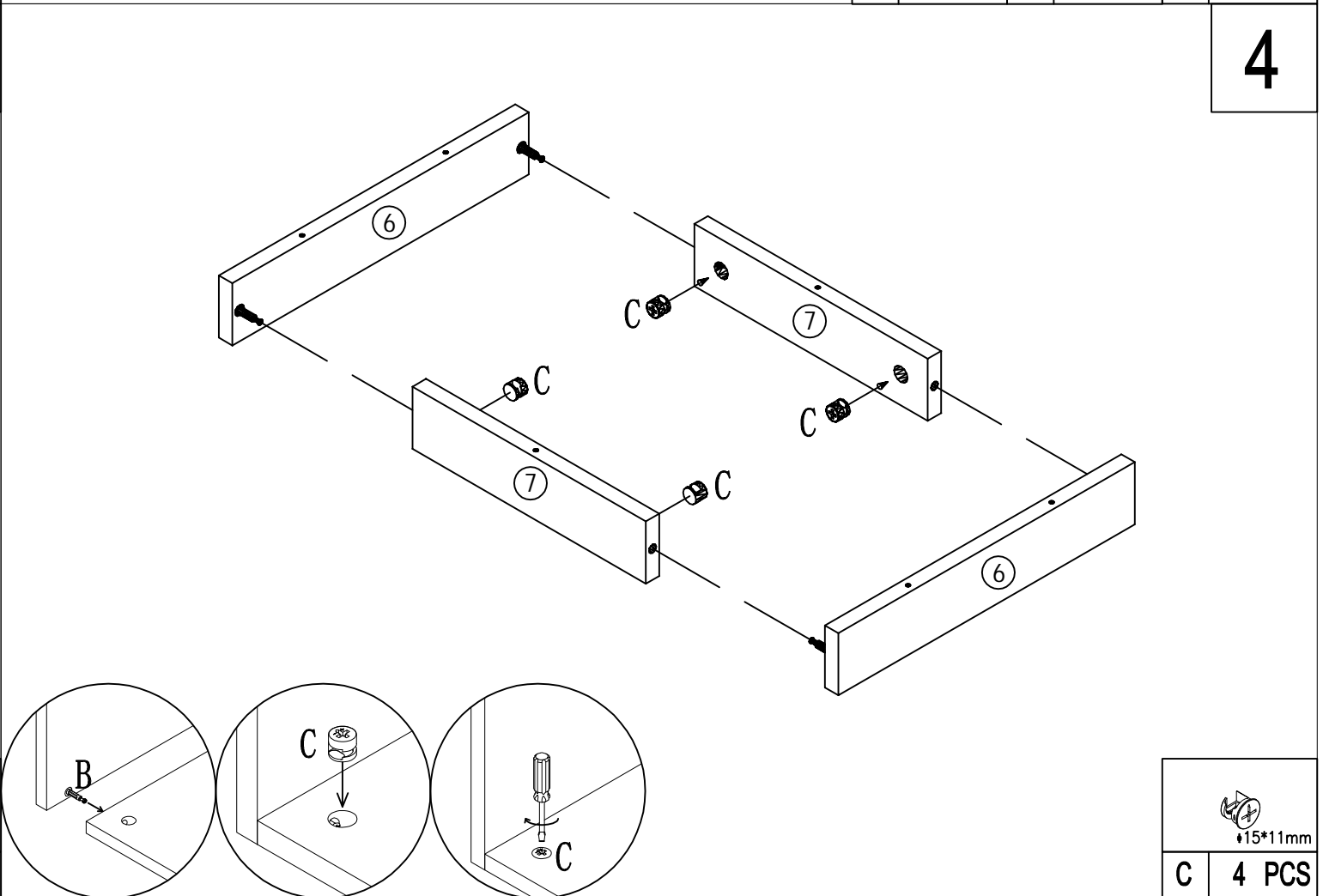
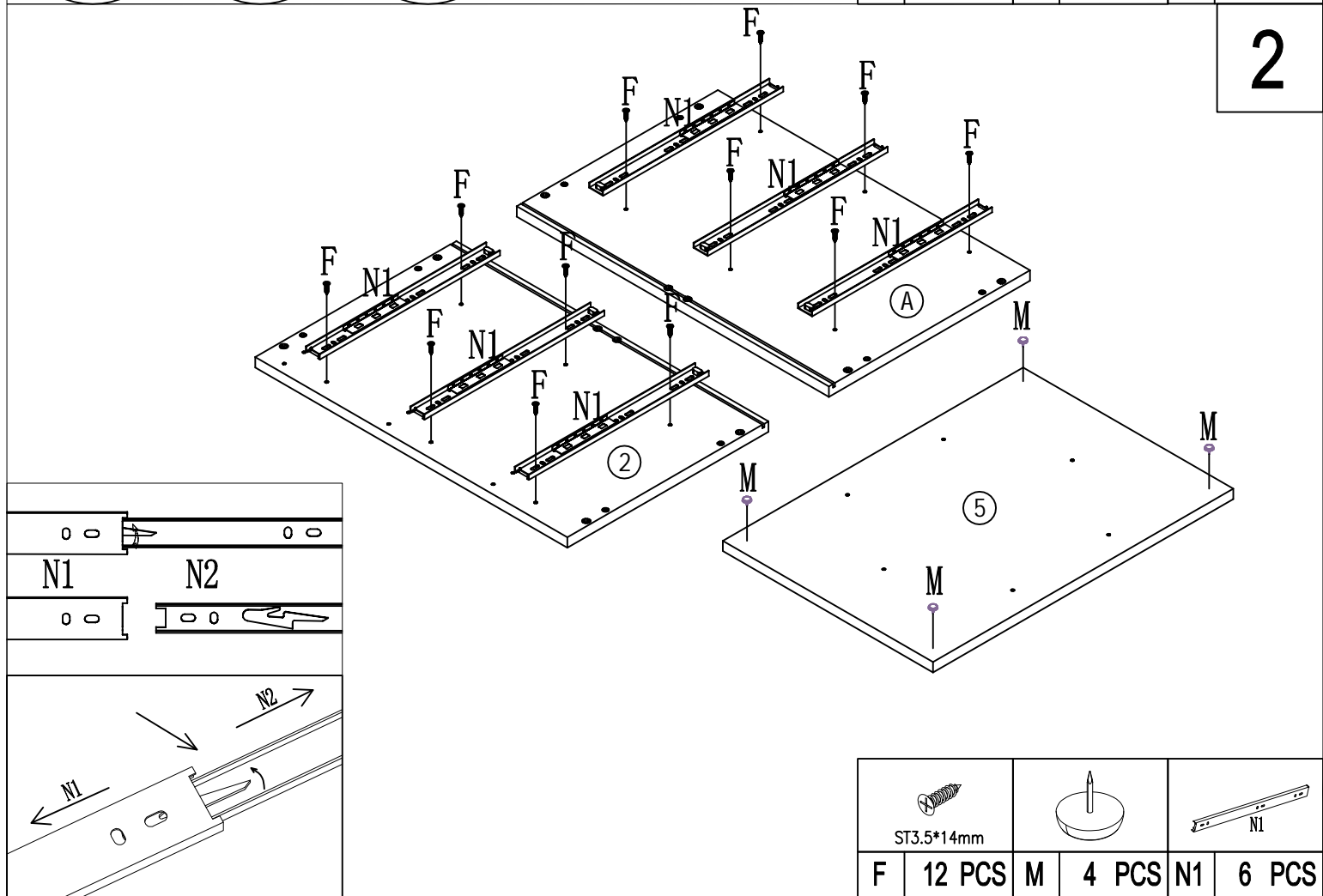
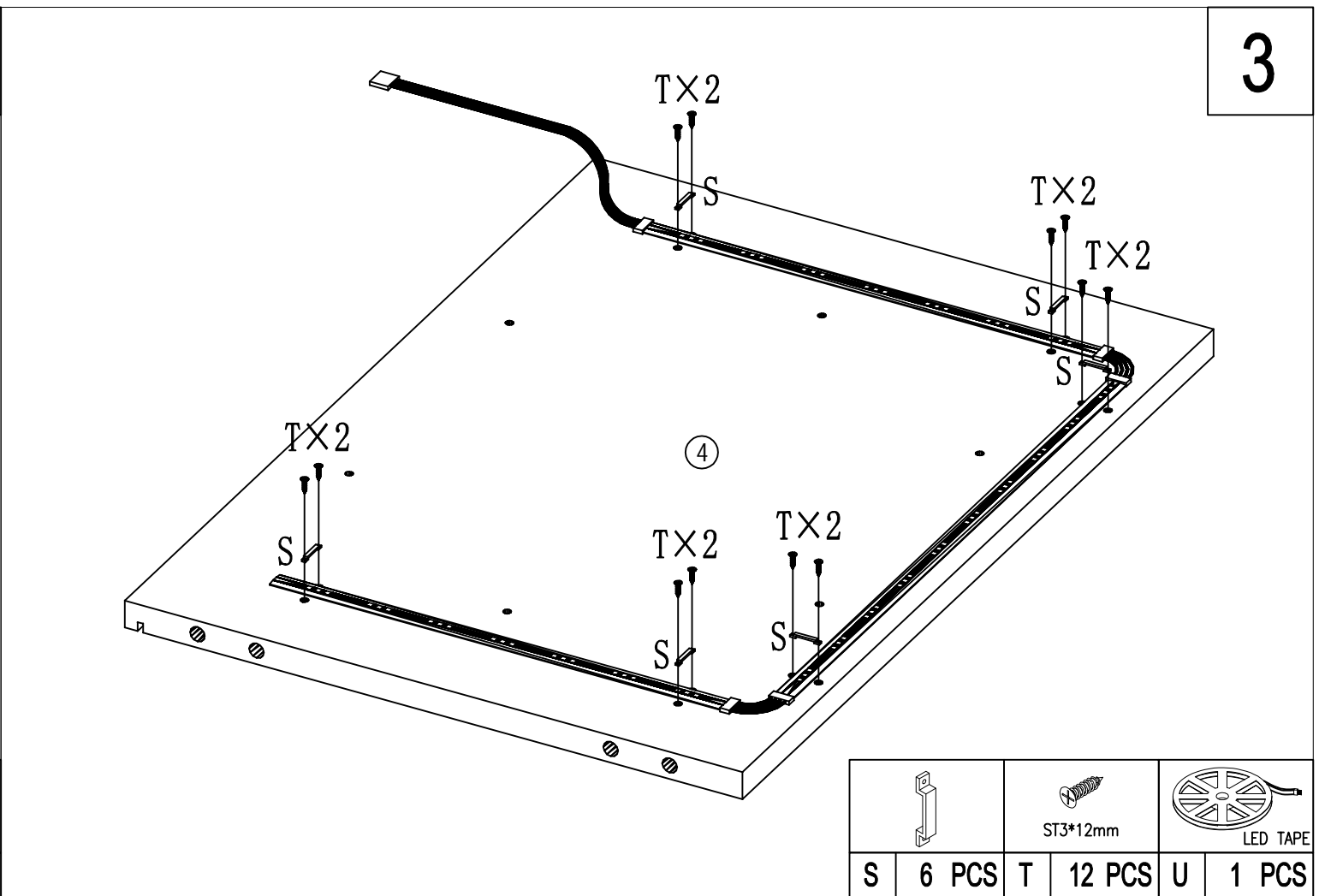
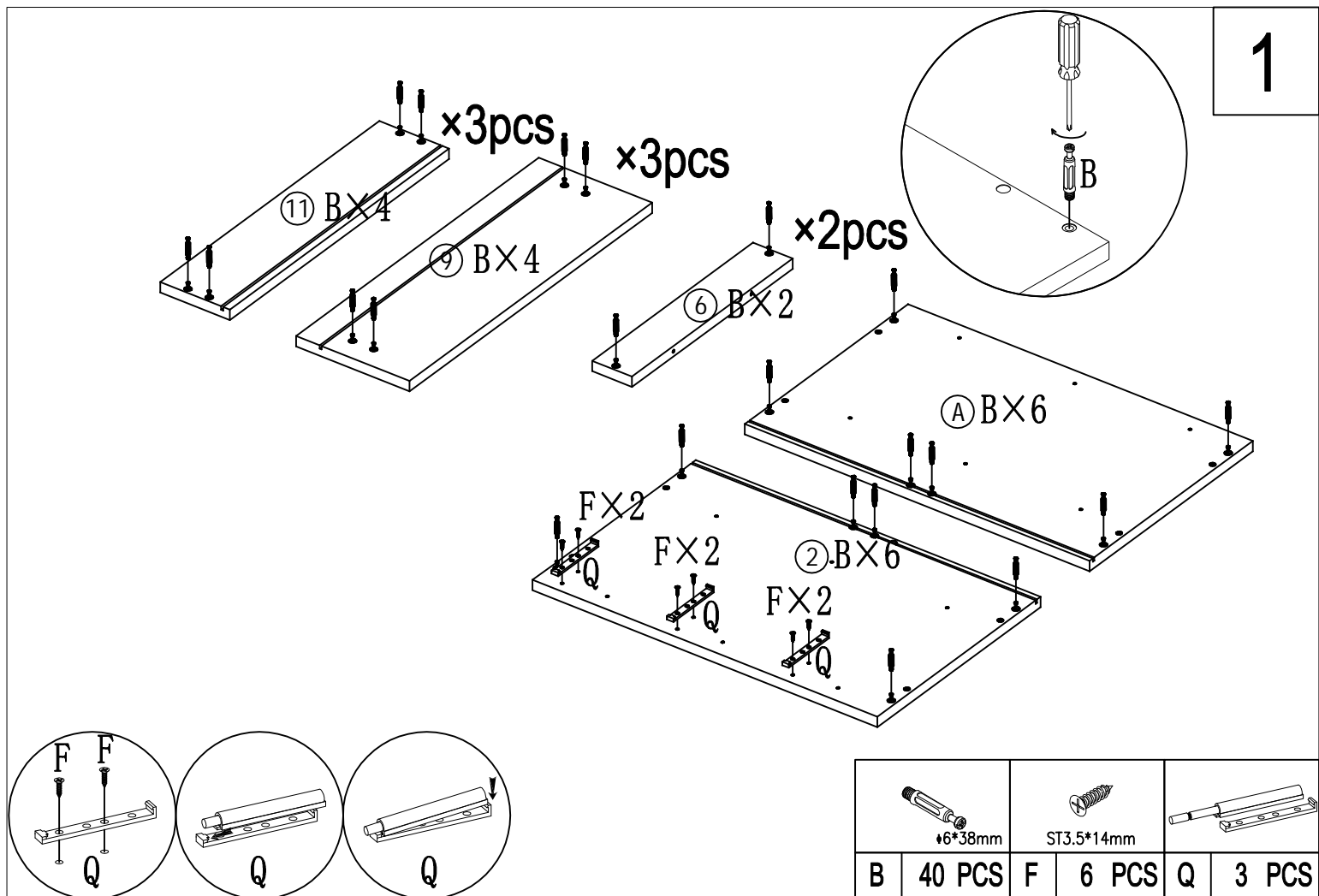
Do not fully tighten all screws until step/ process finished.

Useful Information

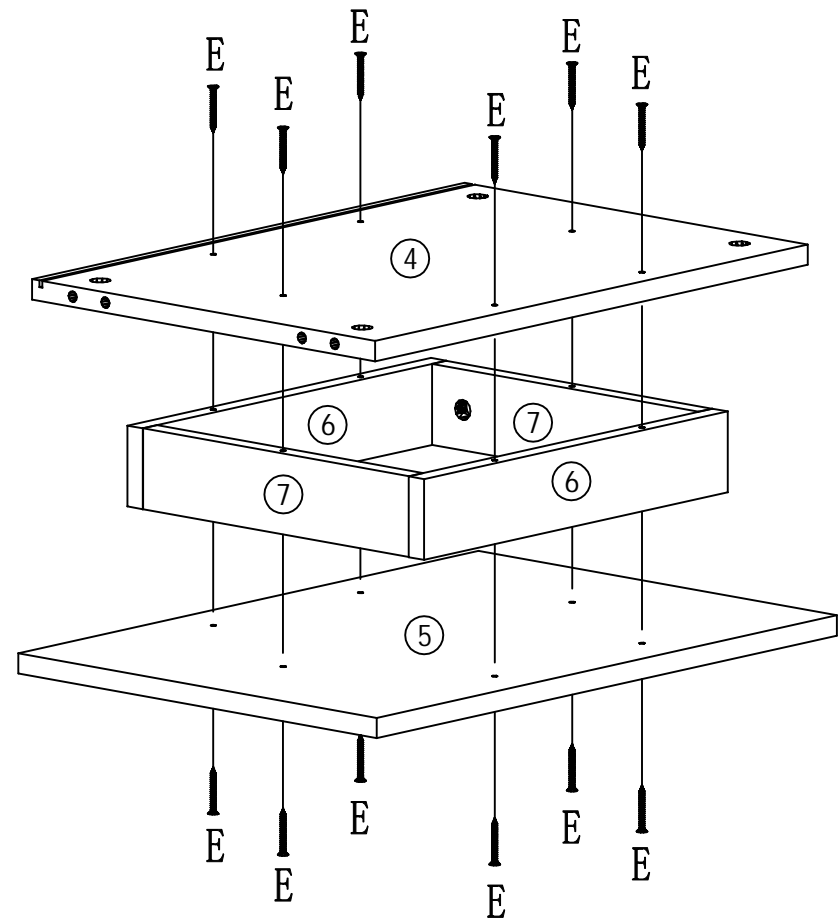
! Never use power tools, they can damage your components or hardware if used incorrectly.


! The most common mistakes made during assembly are using the wrong hardware or getting components back to front.

! Always use a soft surface (such as carpet or cardboard) when assembling your product to avoid scratching or damaging the surface of the product.

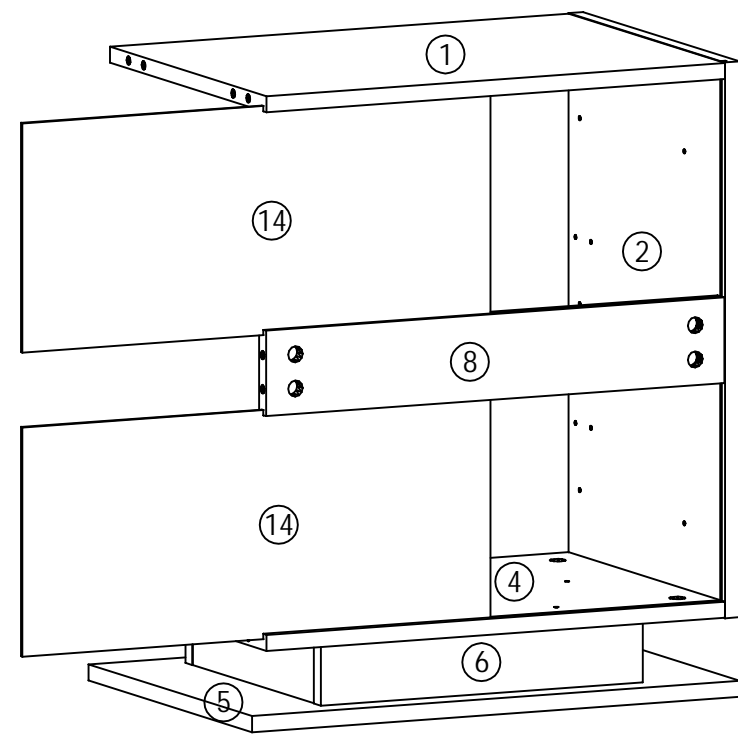


5

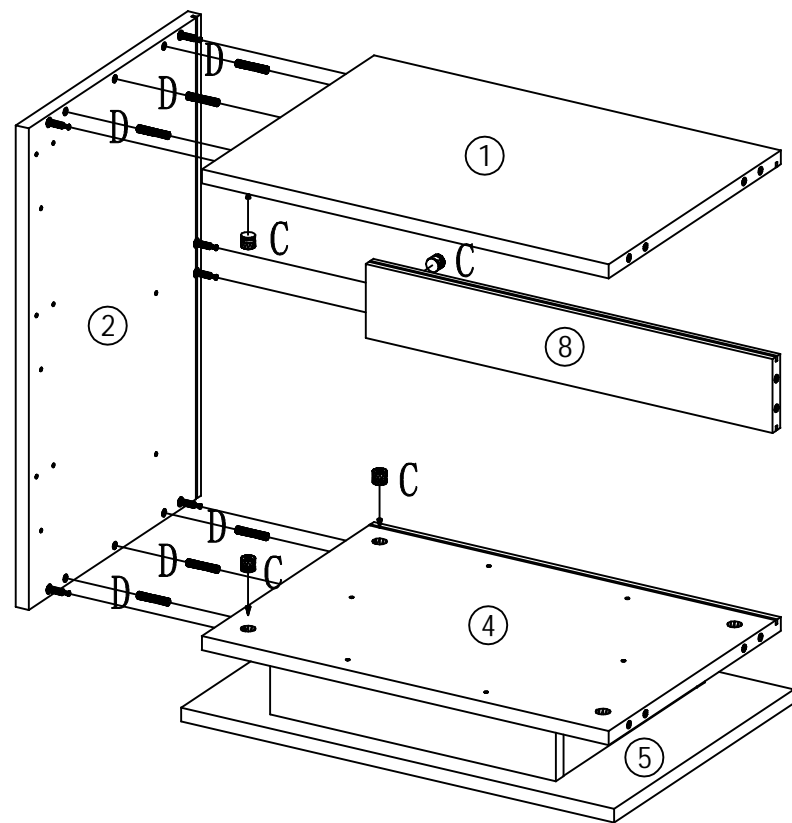




	
ST3.5*35mm	
E	12 PCS

7

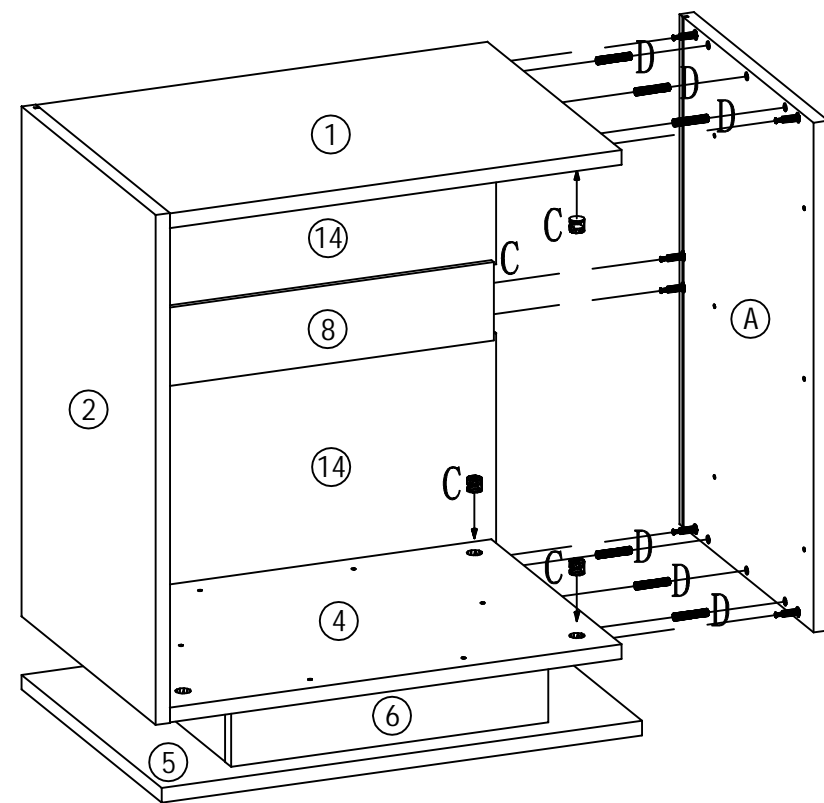




6



			
#15*11mm		#8*40mm	
C	6 PCS	D	6 PCS

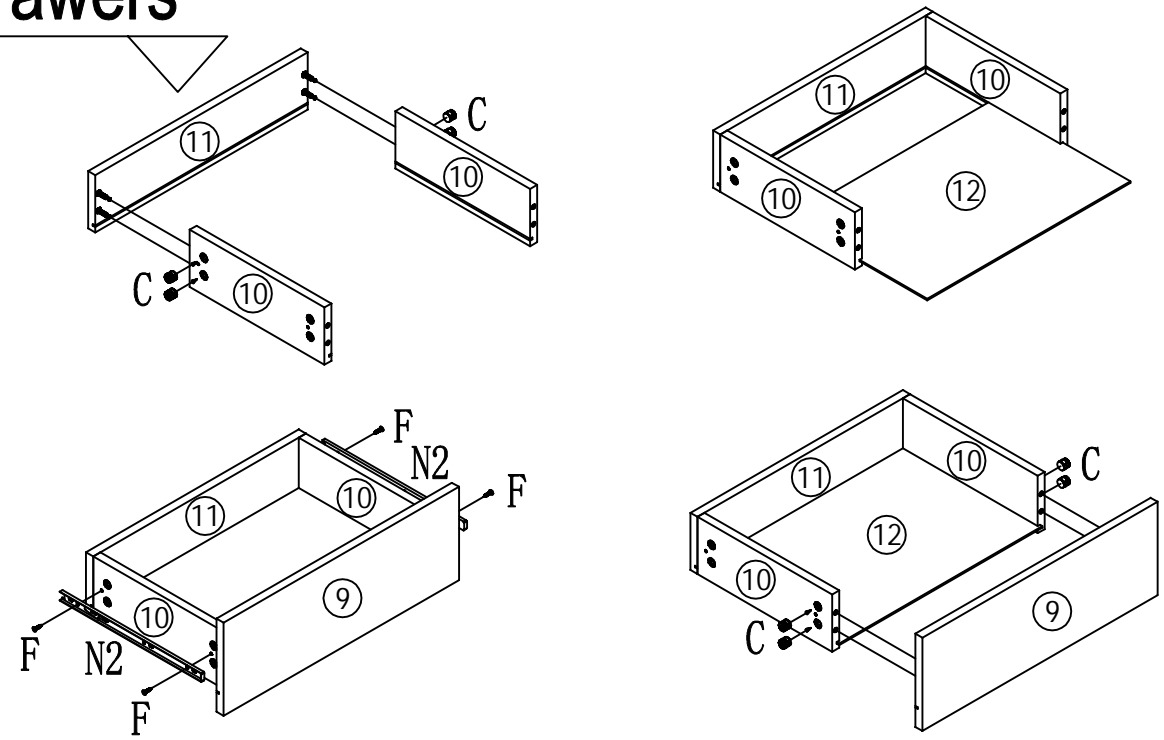
8



			
#15*11mm		#8*40mm	
C	6 PCS	D	6 PCS

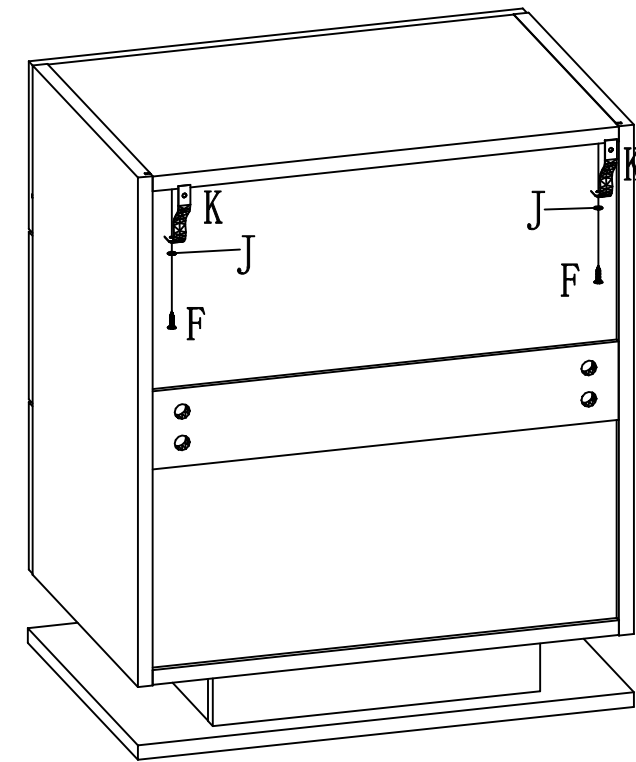
3 Drawers

9



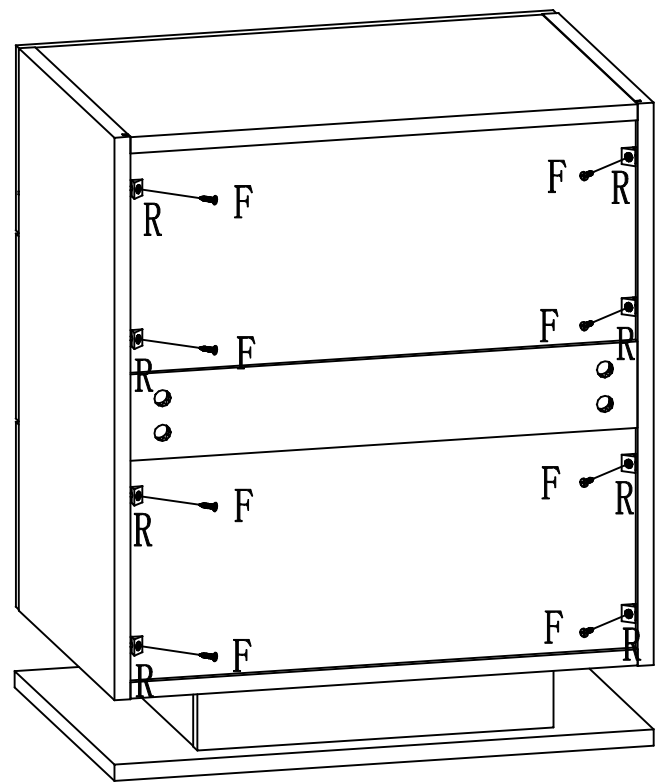
±15*11mm	ST3.5*14mm	N2
C 24 PCS	F 12 PCS	N2 6 PCS

11



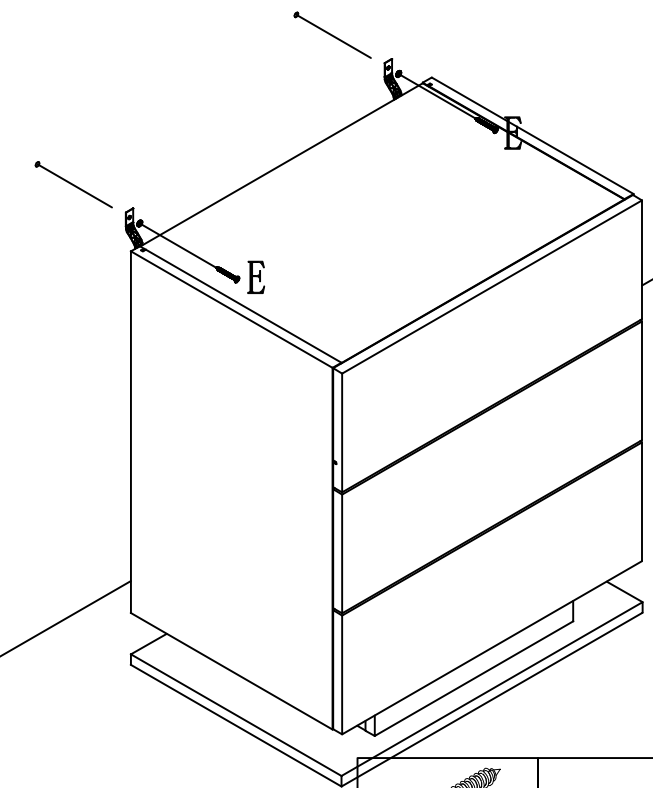
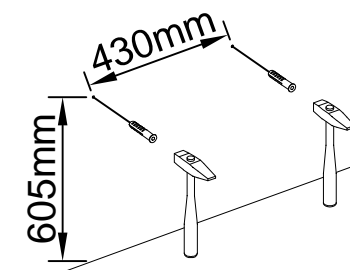
ST3.5*14mm		
F 2 PCS	J 2 PCS	K 2 PCS

10

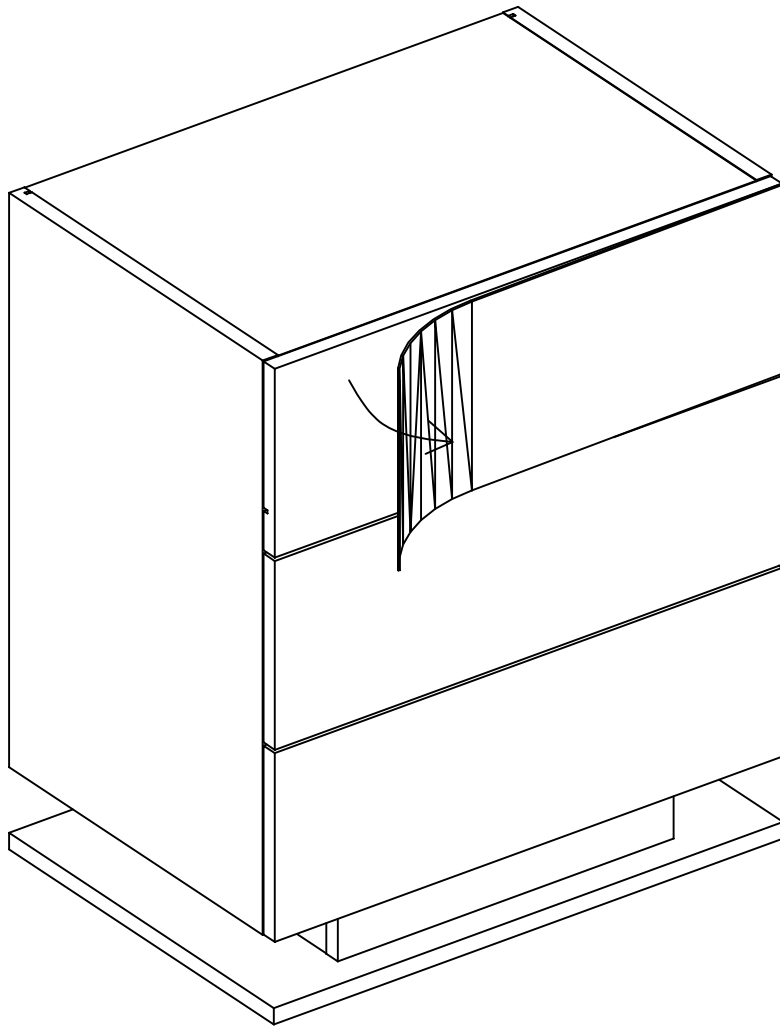


ST3.5*14mm	
F 8 PCS	R 8 PCS

12



ST3.5*35mm		
E 2 PCS	J 2 PCS	L 2 PCS



NOTE: Please peel off the protective film from glossy panels once assembly.

LED Light

If you can't let the lights work successfully, please check the following:

1. Please check the direction of the connect, try it in the opposite direction, according to the following picture.
2. Please check the remote control, it need you to rear down the plastic before use it.
3. Don't let the remote control too far from the receiver, make sure there is no obstruction between them.

