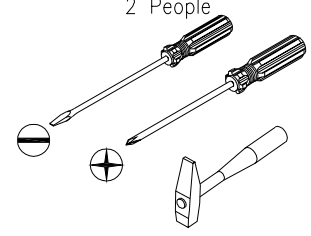
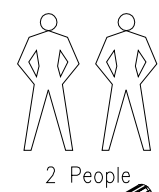
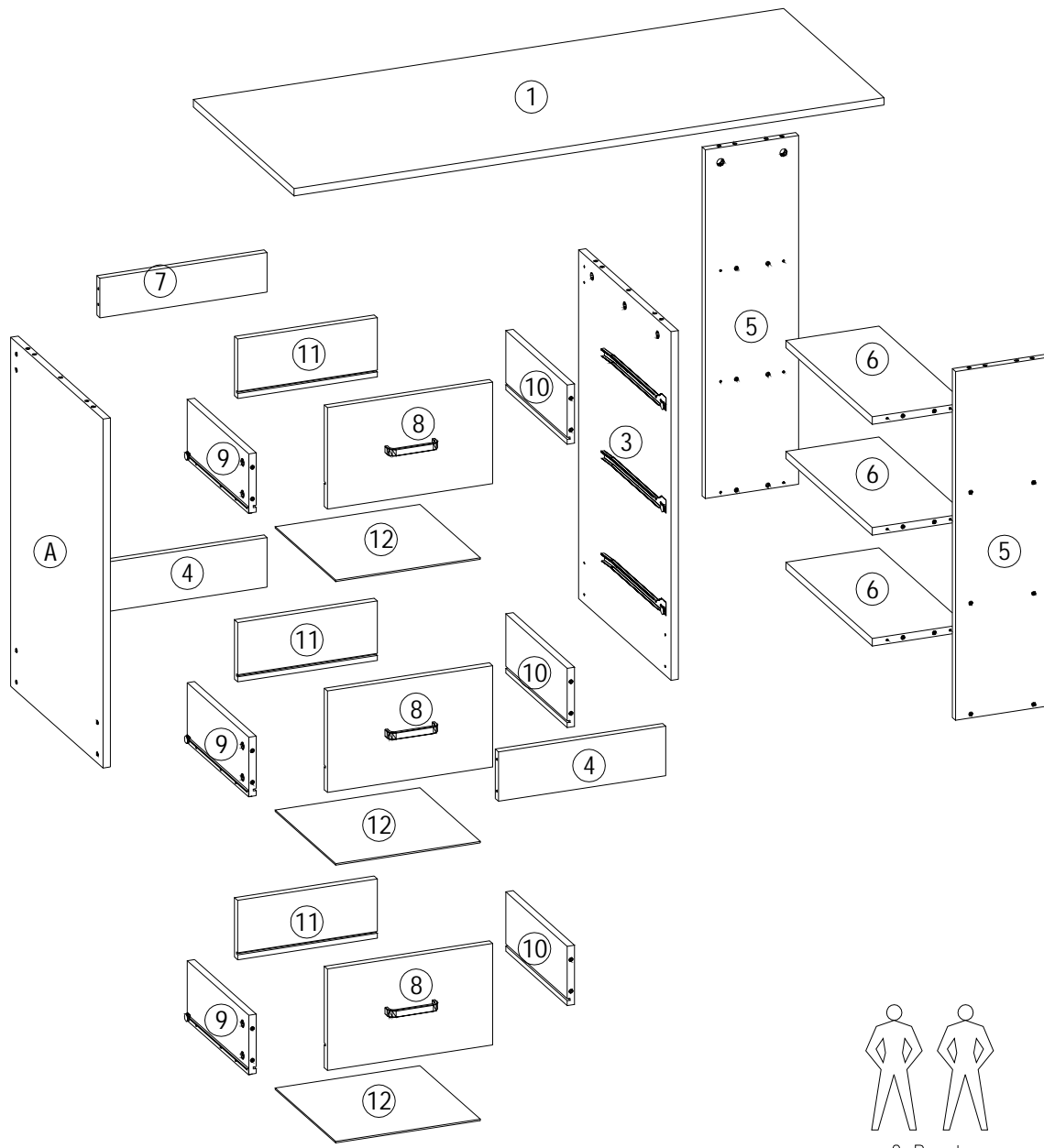




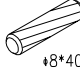


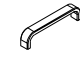




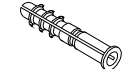
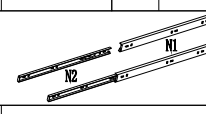


FURNI-O-DESK-120-WH



Warning instructions:

1. Assembly should to be carried out by a competent adult only.
2. Regularly check all parts firmly fixed to ensure the furniture for safe use.
3. Wipe clean only.
4. The warning sticker on the furniture is a mandatory requirement in Australia, and it can be removed by wet cloth.



 #6*38mm	 #15*11mm	 #8*40mm	 ST3.5*35mm	 ST3.5*14mm		 M4*18mm	
B 22 PCS	C 22 PCS	D 20 PCS	E 38 PCS	F 26 PCS	G 3 PCS	H 6 PCS	J 8 PCS
					 #20mm	 #12mm	
K 2 PCS	L 2 PCS	M 2 PCS	N 6 PCS		P 4 PCS	Q 24 PCS	

Assembly checklist



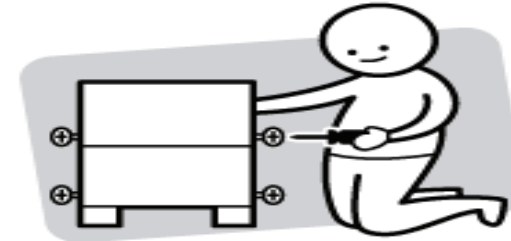
Read through the instructions carefully before you begin.



Make sure you have all the required tools. Do not use power tools.



Identify and lay out all of the components before you begin assembly.



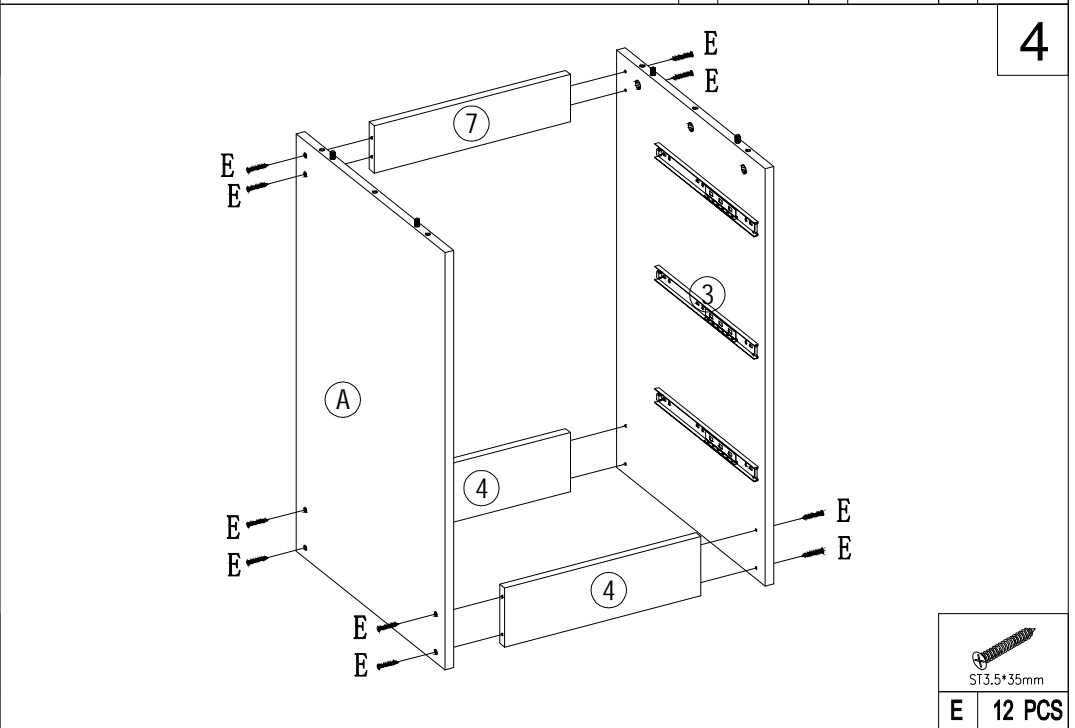
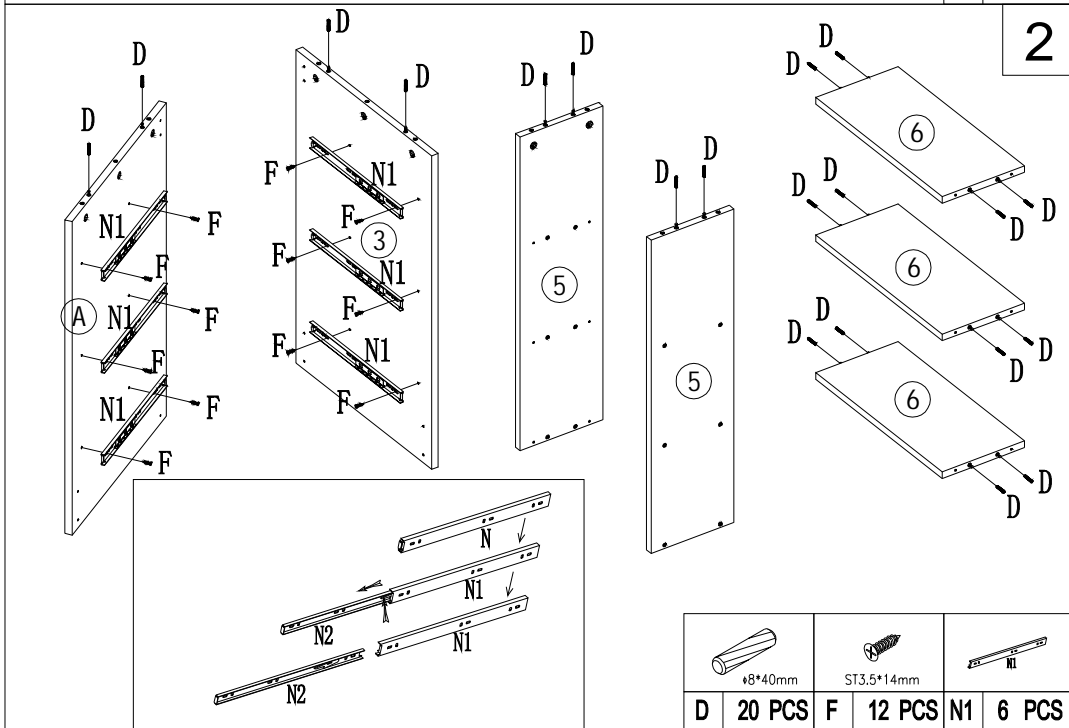
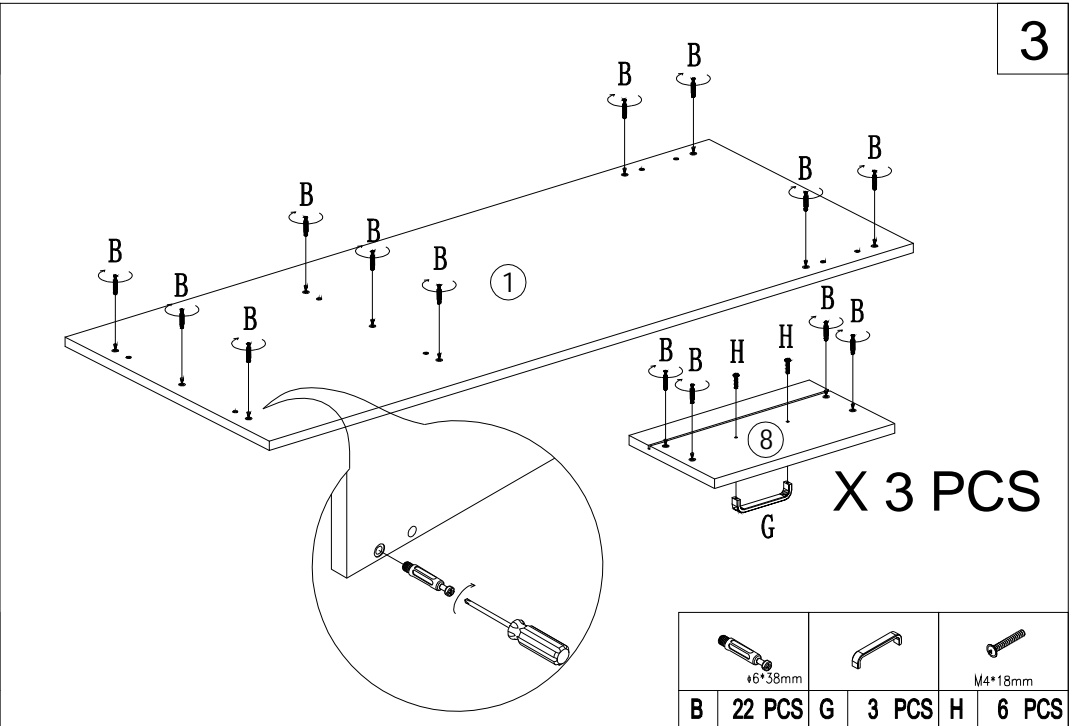
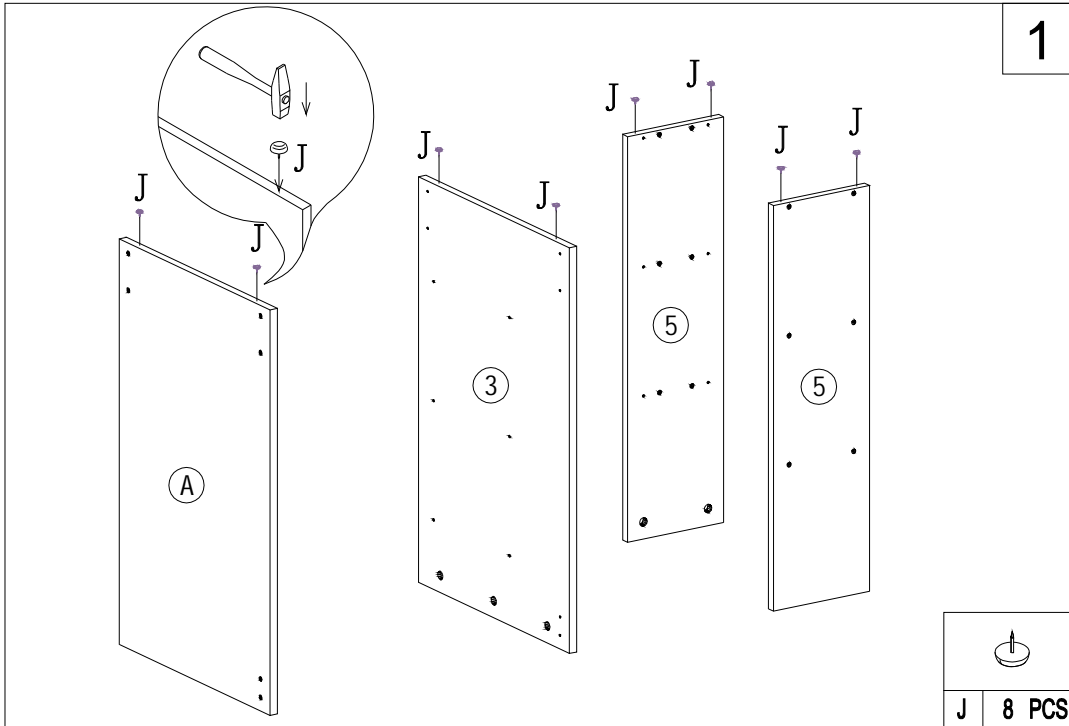
Do not fully tighten all screws until step/ process finished.

Useful Information

! Never use power tools, they can damage your components or hardware if used incorrectly.


! The most common mistakes made during assembly are using the wrong hardware or getting components back to front.

! Always use a soft surface (such as carpet or cardboard) when assembling your product to avoid scratching or damaging the surface of the product.





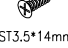

5

Diagram 5 shows the assembly of the side panel (5) with three shelves (6). Screws (E) are used to secure the shelves to the panel.

	ST3.5*35mm
E	12 PCS

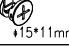
7

Diagram 7 shows the assembly of the drawer unit. It shows the front panel (10), side panels (8, 9), and bottom panel (12) being joined together with screws (E) and dowels (N2).

	+15*11mm		ST3.5*35mm		ST3.5*14mm		12
C	12 PCS	E	12 PCS	F	12 PCS	N2	6 PCS

6

Diagram 6 shows the assembly of the cabinet body. It shows the front panel (A) being attached to the side panels (5) and shelves (6) using screws (C).

	+15*11mm
C	10 PCS

8

Diagram 8 shows the mounting of the cabinet to the wall. It shows the cabinet being attached to a wall using wall anchors (M) and screws (M). A detail shows the mounting bracket (L) being secured with a screw (K) into the wall.

Pre-drilled 2 holes at wall

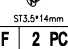
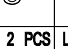


110mm

200mm

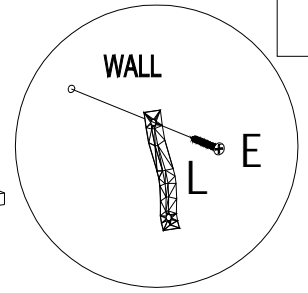
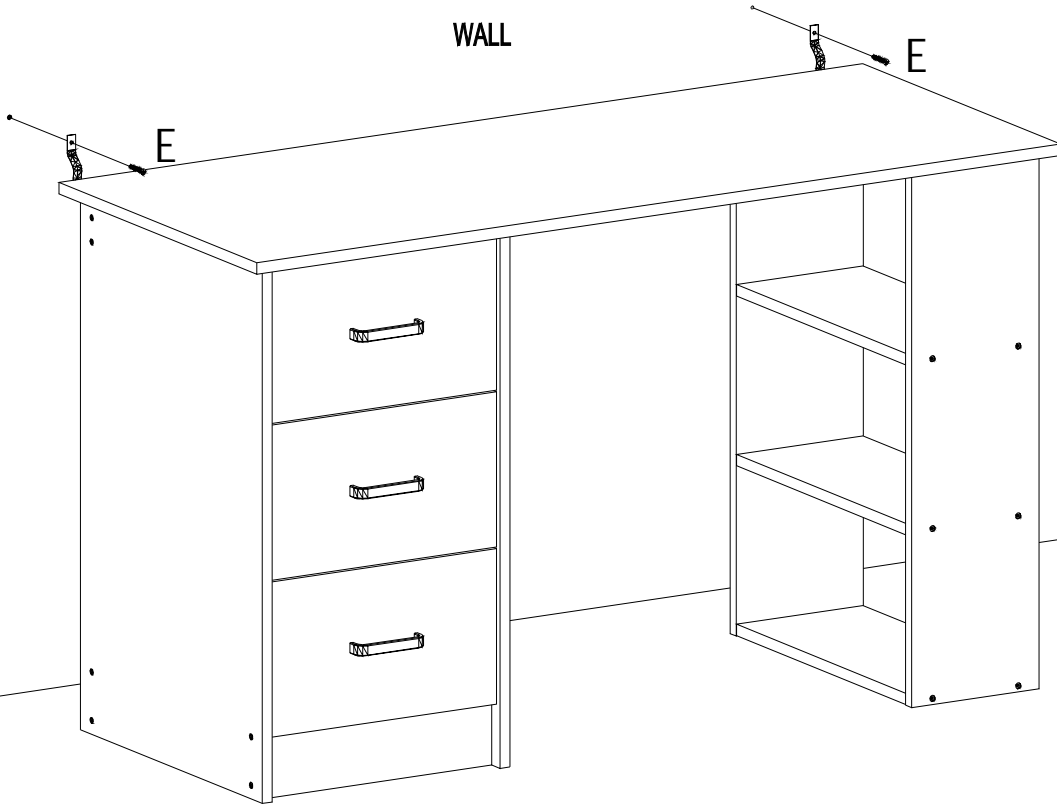
WALL

M

M

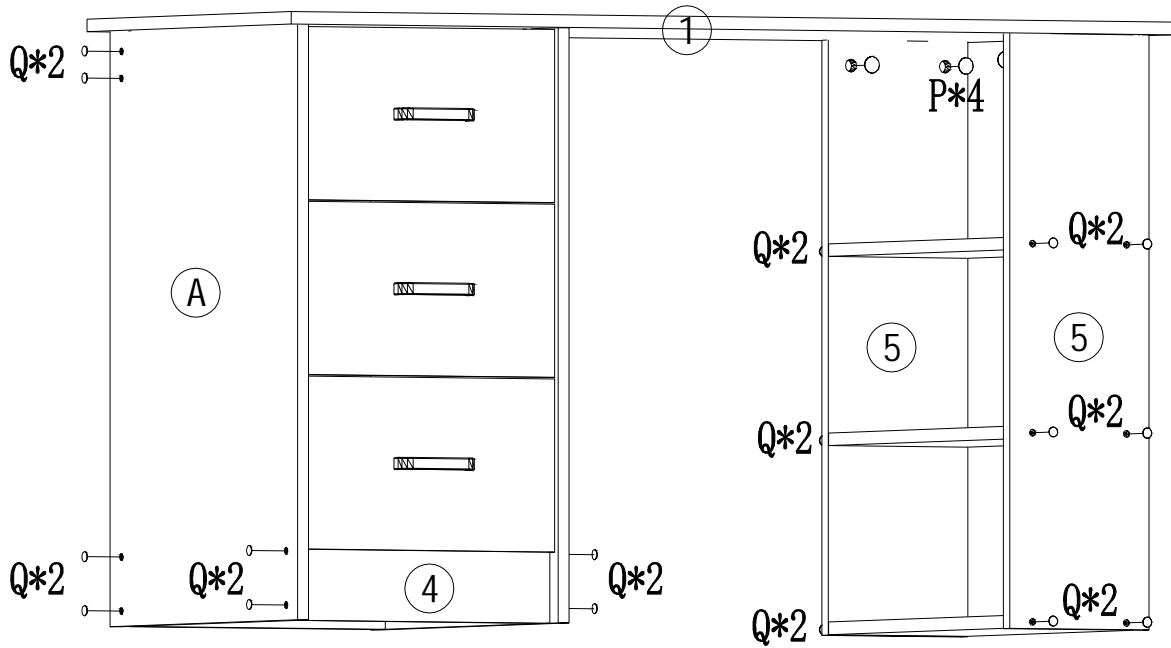
	ST3.5*14mm						
F	2 PCS	K	2 PCS	L	2 PCS	M	2 PCS



9



	
S13.5*35mm	
E	2 PCS

10



	
∅20mm	∅12mm
P	Q
4 PCS	24 PCS