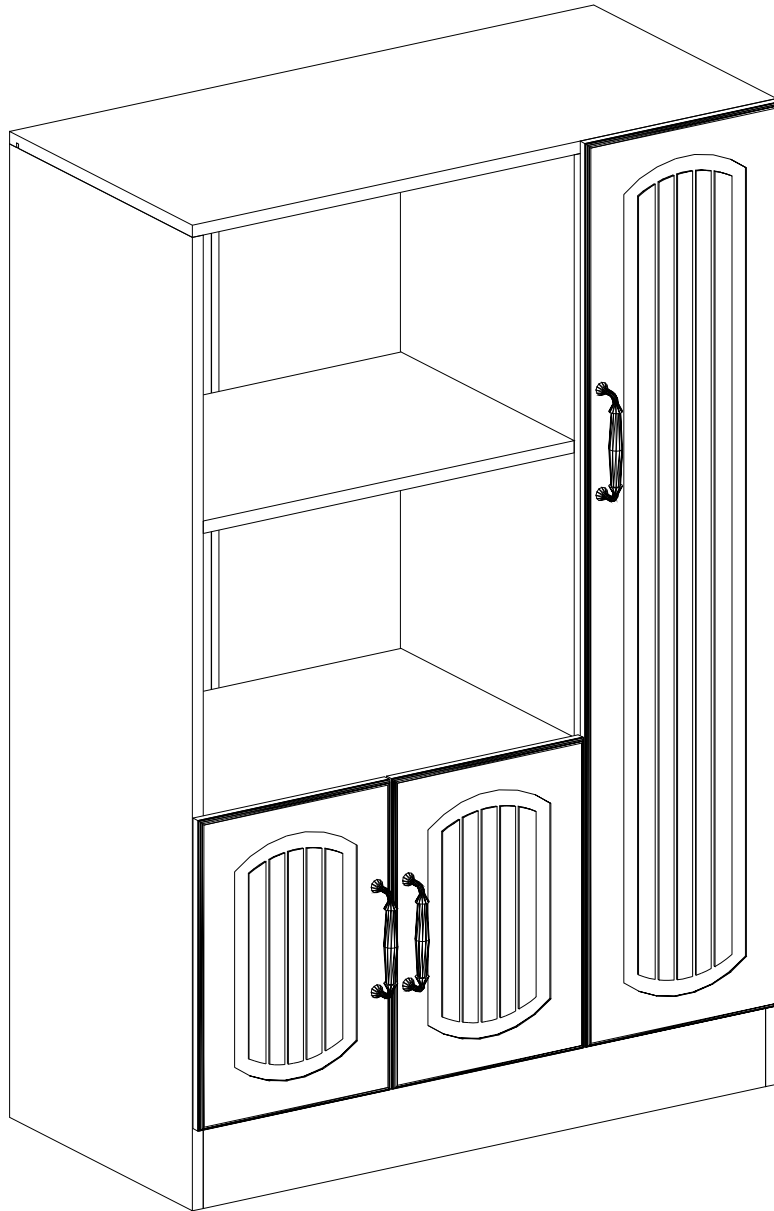


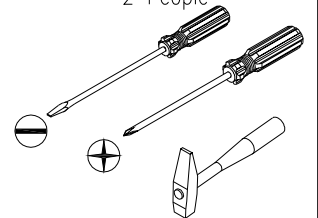
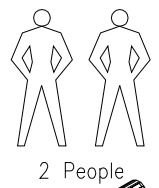
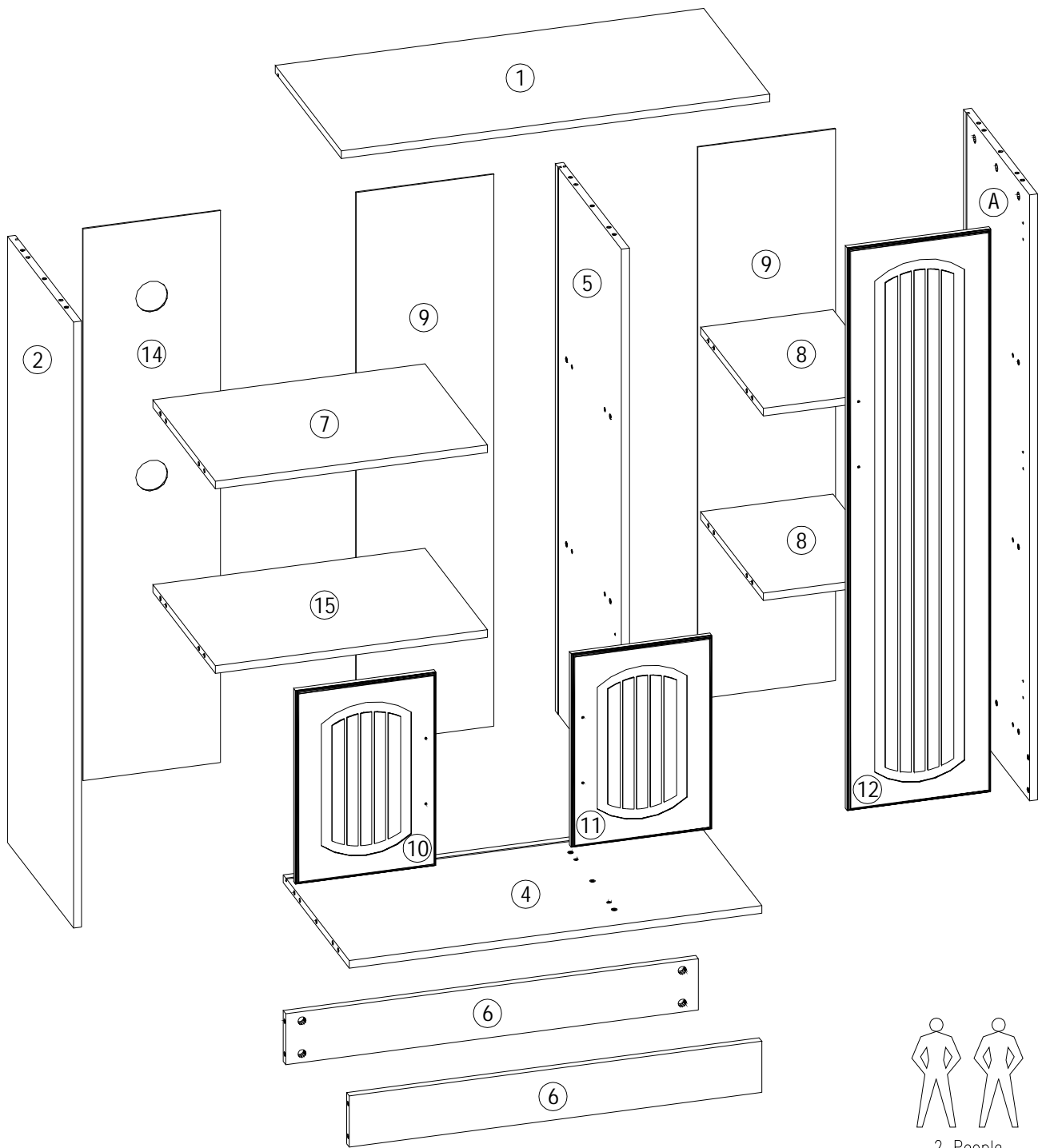
FURNI-O-CAB-01-WH



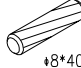
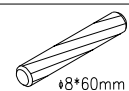


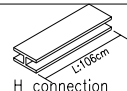
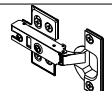
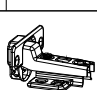
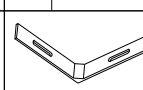
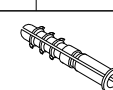
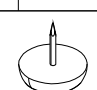
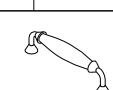

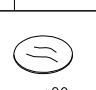

 **ARTISS**



Warning instructions:

1. Assembly should to be carried out by a competent adult only.
2. Regularly check all parts firmly fixed to ensure the furniture for safe use.
3. Wipe clean only.
4. The warning sticker on the furniture is a mandatory requirement in Australia, and it can be removed by wet cloth.



 #6*38mm	 #15*11mm	 #8*40mm	 #8*60mm	 ST3.5*14mm	 ST3.5*35mm	 H connection L106cm	 J
B 42 PCS	C 42 PCS	D 20 PCS	E 4 PCS	F 38 PCS	G 2 PCS	H 1 PCS	J 5 PCS
 K	 L	 M	 N	 P	 M4*18mm	 #20mm	 S
K 2 PCS	L 2 PCS	M 2 PCS	N 4 PCS	P 3 PCS	Q 6 PCS	R 3 PCS	S 8 PCS

Assembly checklist



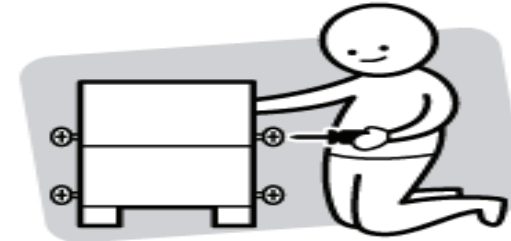
Read through the instructions carefully before you begin.



Make sure you have all the required tools. Do not use power tools.



Identify and lay out all of the components before you begin assembly.



Do not fully tighten all screws until step/ process finished.

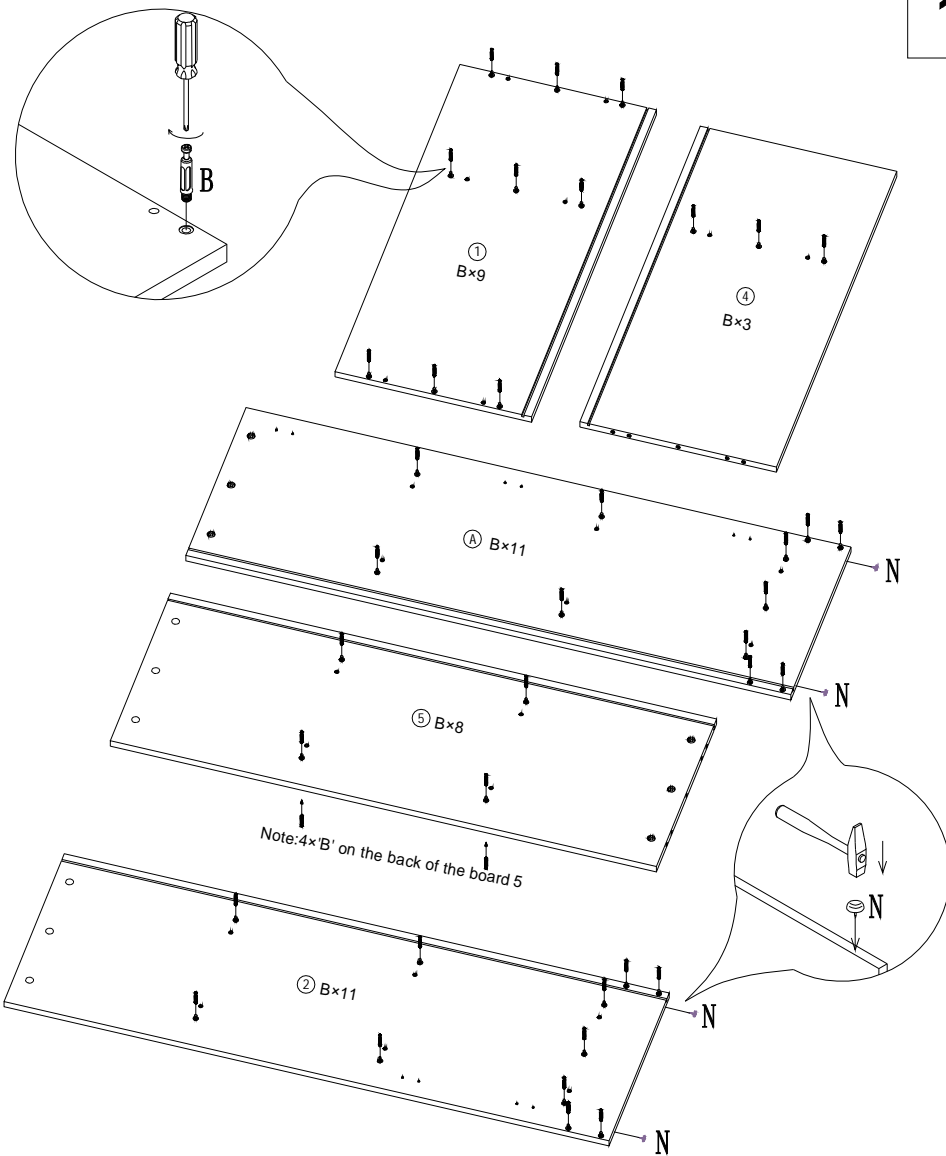
Useful Information



! Never use power tools, they can damage your components or hardware if used incorrectly.

! The most common mistakes made during assembly are using the wrong hardware or getting components back to front.

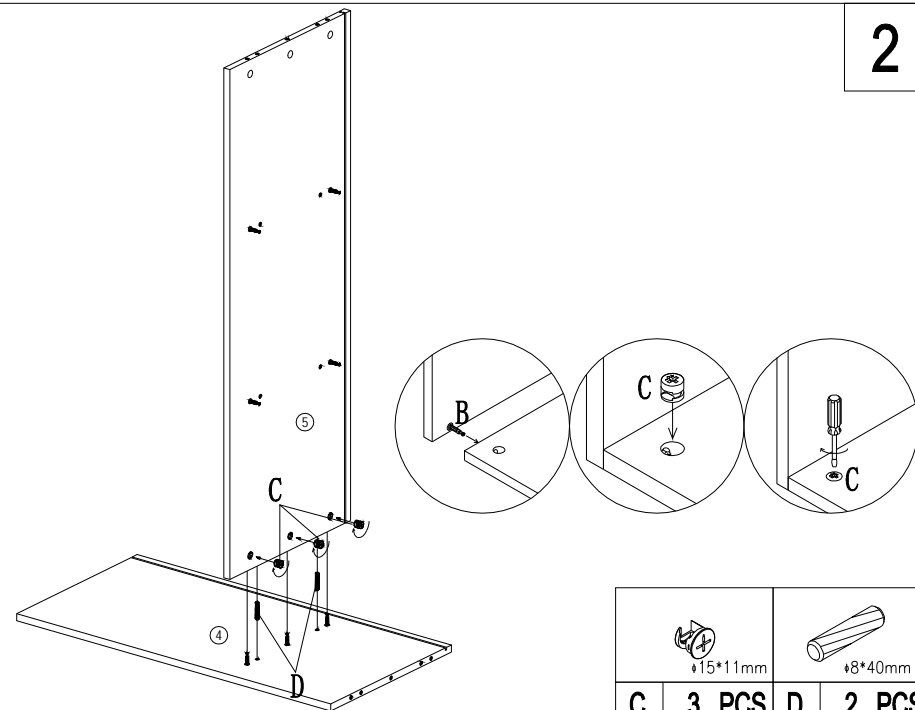
! Always use a soft surface (such as carpet or cardboard) when assembling your product to avoid scratching or damaging the surface of the product.


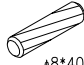
1



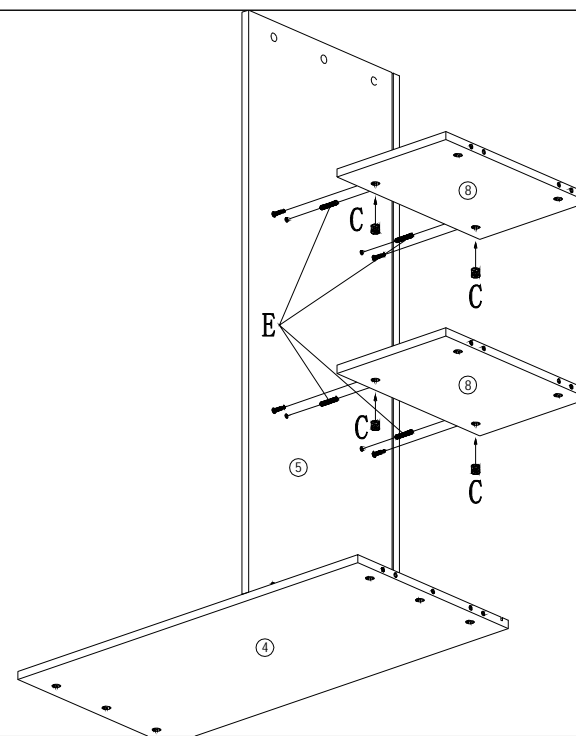
	
6*38mm	
B	42 PCS
N	4 PCS



2



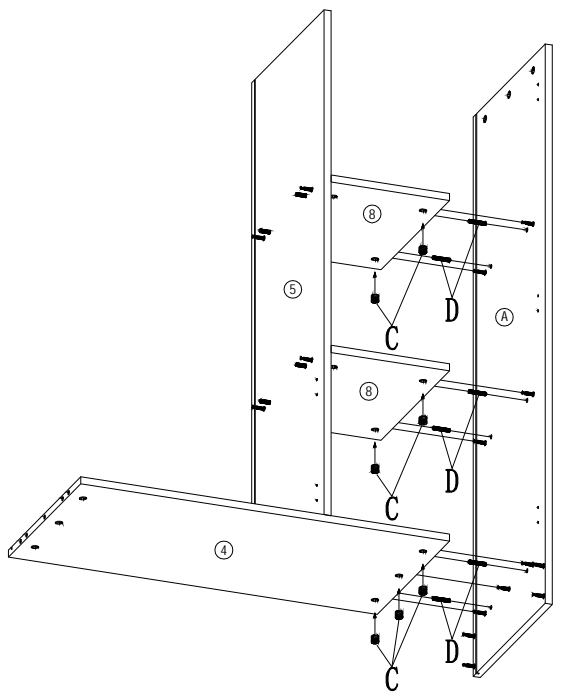
	
15*11mm	8*40mm
C	3 PCS
D	2 PCS



3



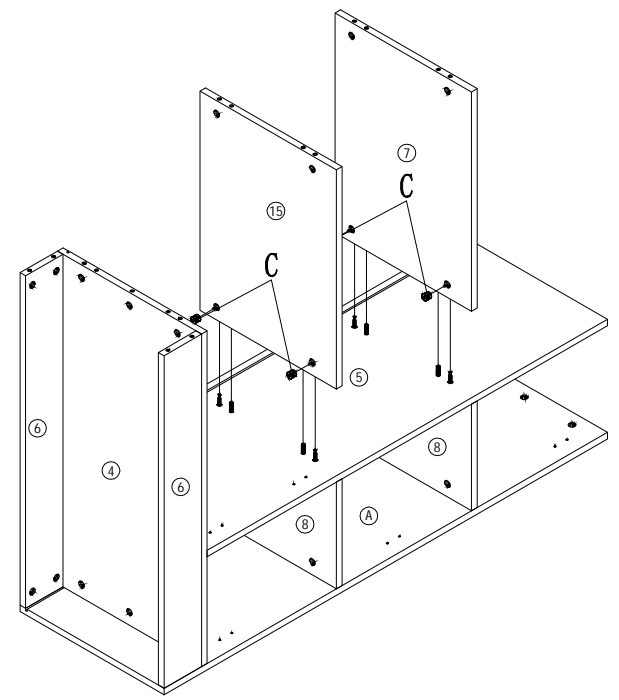
	
15*11mm	8*60mm
C	4 PCS
E	4 PCS


4



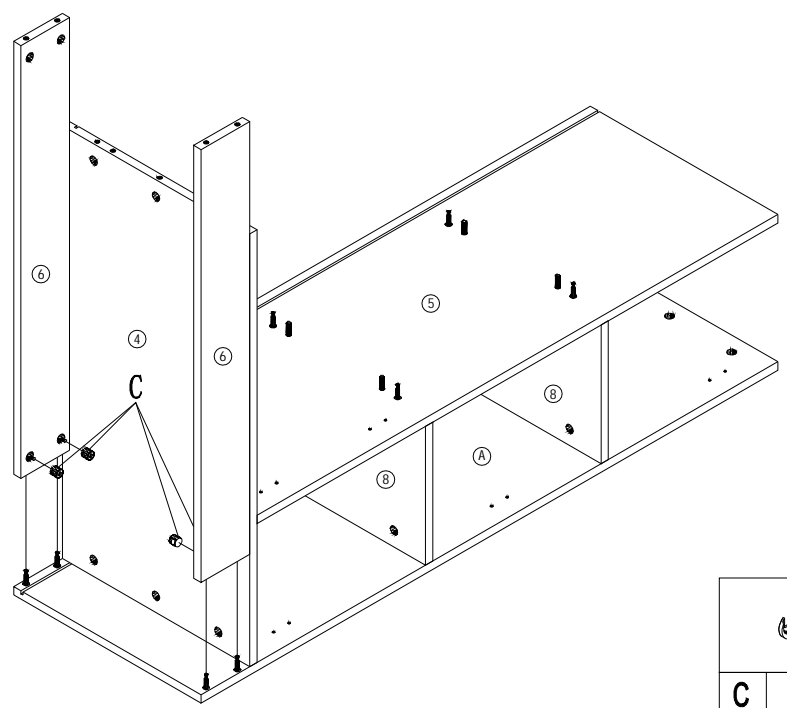
	$\varnothing 15 \times 11 \text{mm}$		$\varnothing 8 \times 40 \text{mm}$
C	7 PCS	D	6 PCS


6



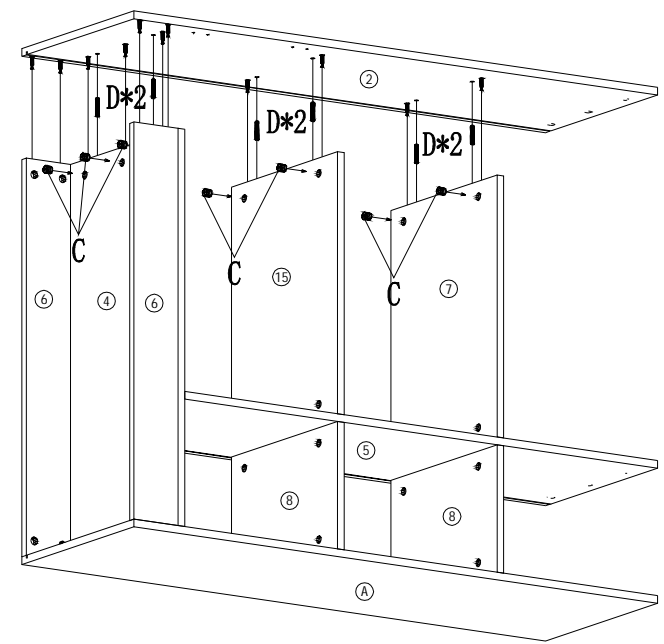
	$\varnothing 15 \times 11 \text{mm}$		
C	4 PCS		


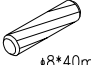
5



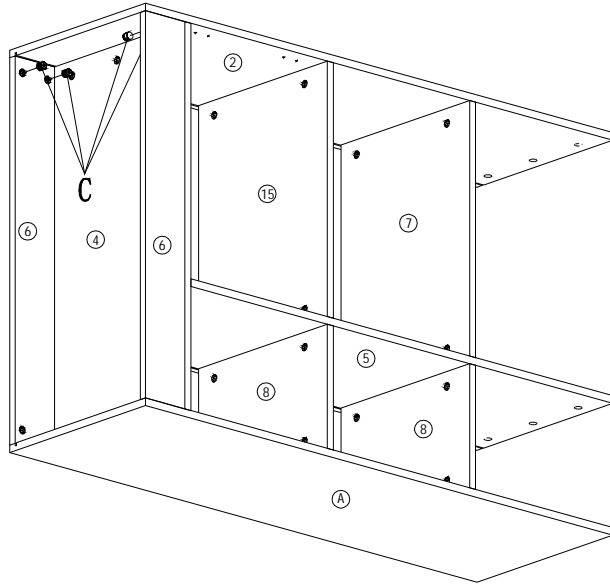
	$\varnothing 15 \times 11 \text{mm}$		
C	4 PCS		


7



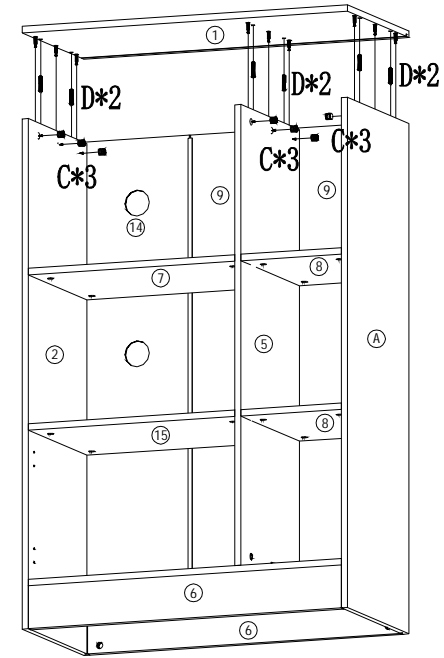
	$\varnothing 15 \times 11 \text{mm}$		$\varnothing 8 \times 40 \text{mm}$
C	7 PCS	D	6 PCS


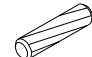
8



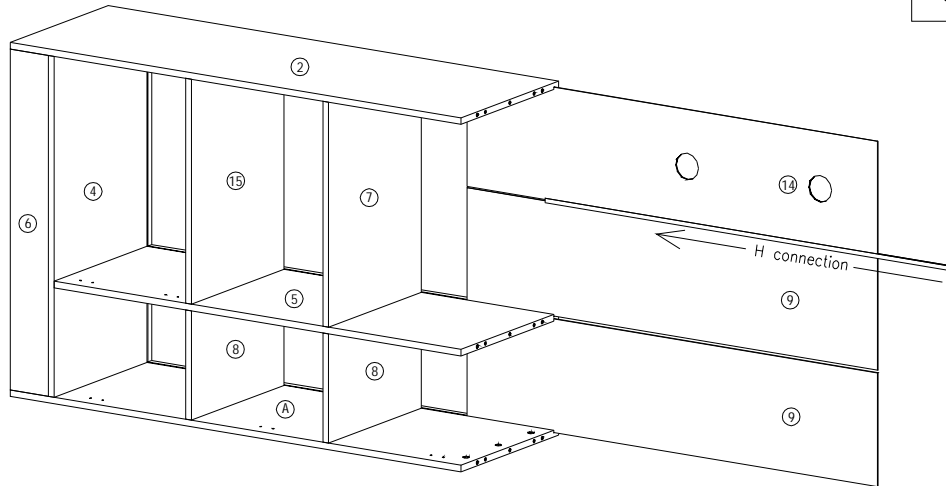
	±15*11mm
C	4 PCS

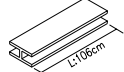
10



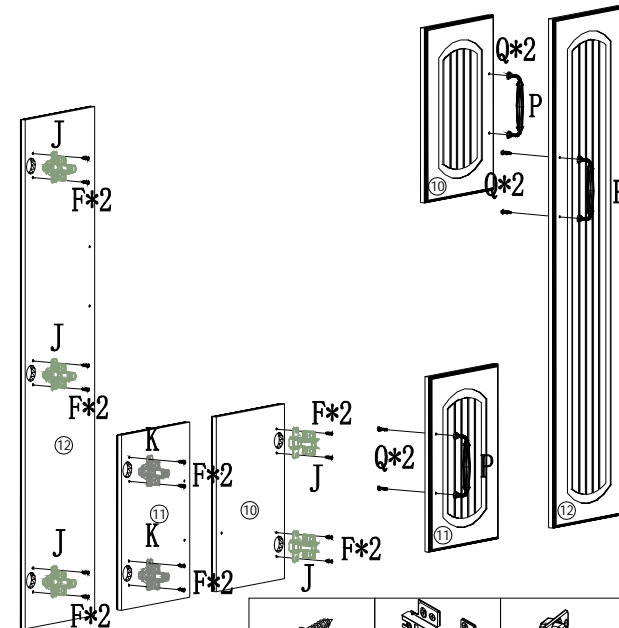
	±15*11mm		±8*40mm
C	9 PCS	D	6 PCS


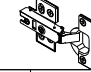



9



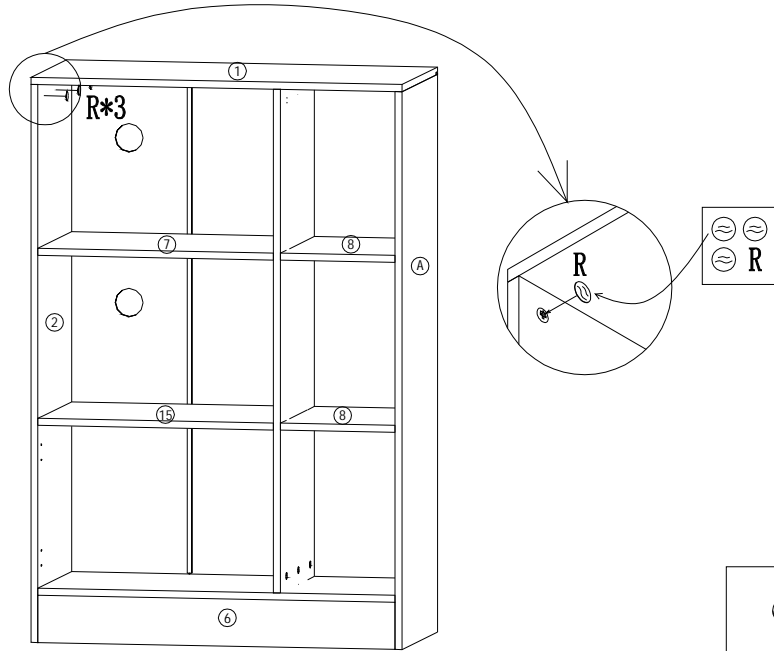
	L106mm
H connection	
H	1 PCS

11



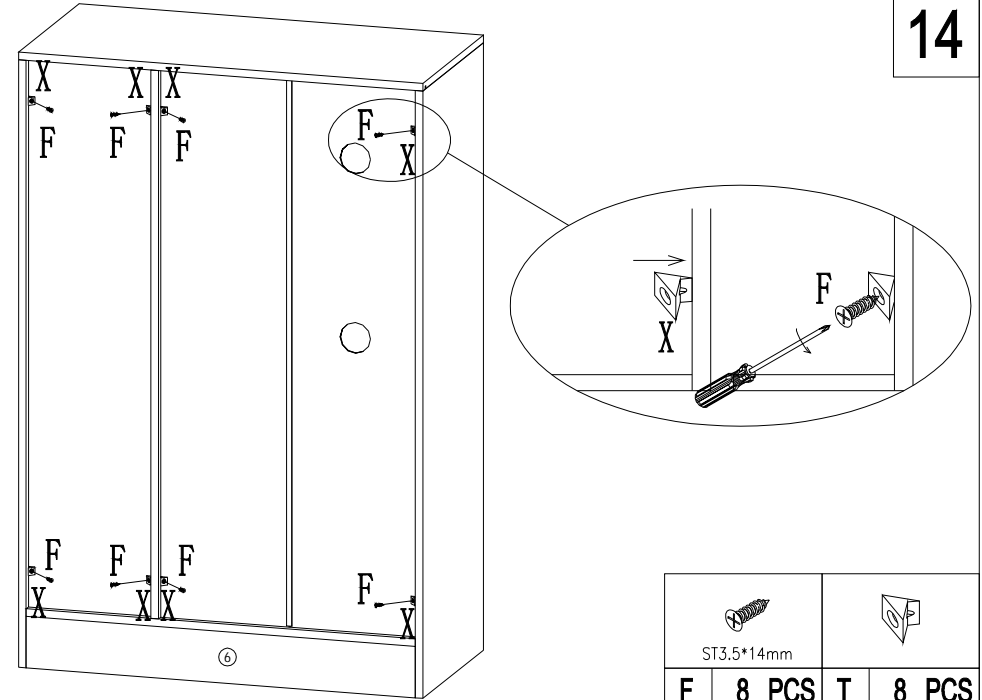
	ST3.5*14mm				
F	14 PCS	J	5 PCS	K	2 PCS
		P	3 PCS	Q	6 PCS

12



	+20mm
R	3 PCS

14

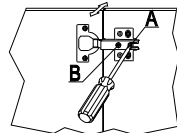


	ST3.5*14mm		
F	8 PCS	T	8 PCS

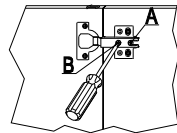
13

Hinge Adjustment

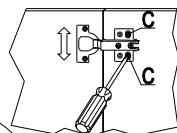
If the doors do not appear square or aligned, loosen or tighten the appropriate screws on each case hinge as illustrated.



1) Side to side adjustment: Loosen screw A, adjust gap with screw B and re-tighten screw A.



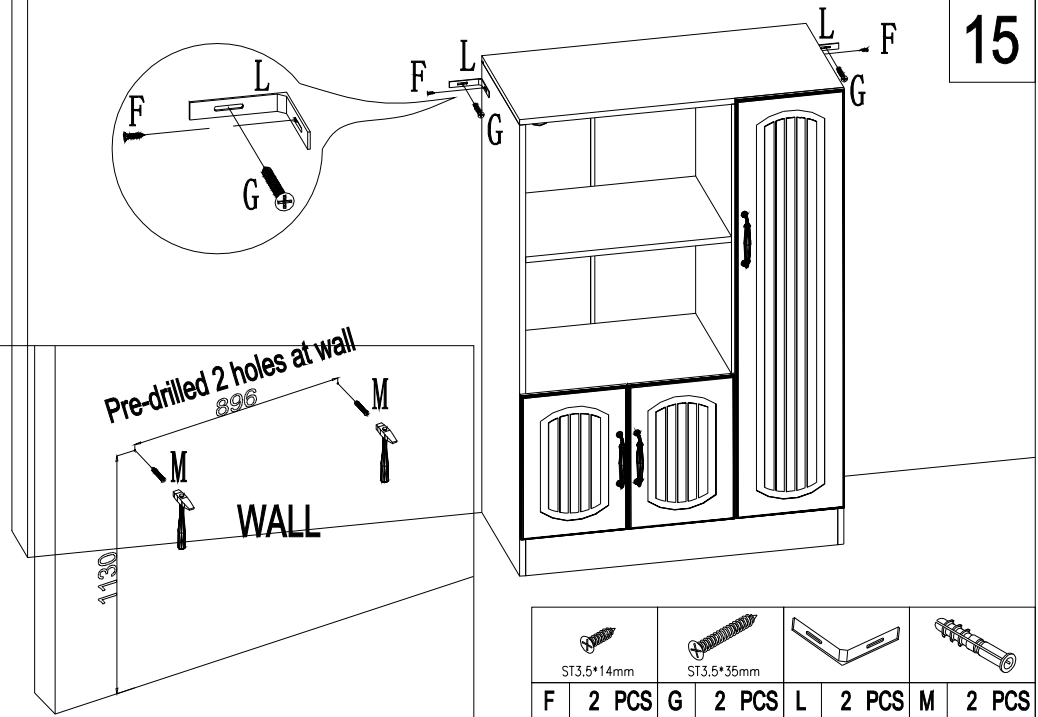
2) Depth adjustment: Loosen screw A, push hinge arm forwards or backwards, re-tighten screw A and secure screw B with a 1/4 turn clockwise.



3) Height adjustment: Loosen screw C, adjust door height and re-tighten screw C.

	ST3.5*14mm
F	14 PCS

15



	ST3.5*14mm		ST3.5*35mm				
F	2 PCS	G	2 PCS	L	2 PCS	M	2 PCS