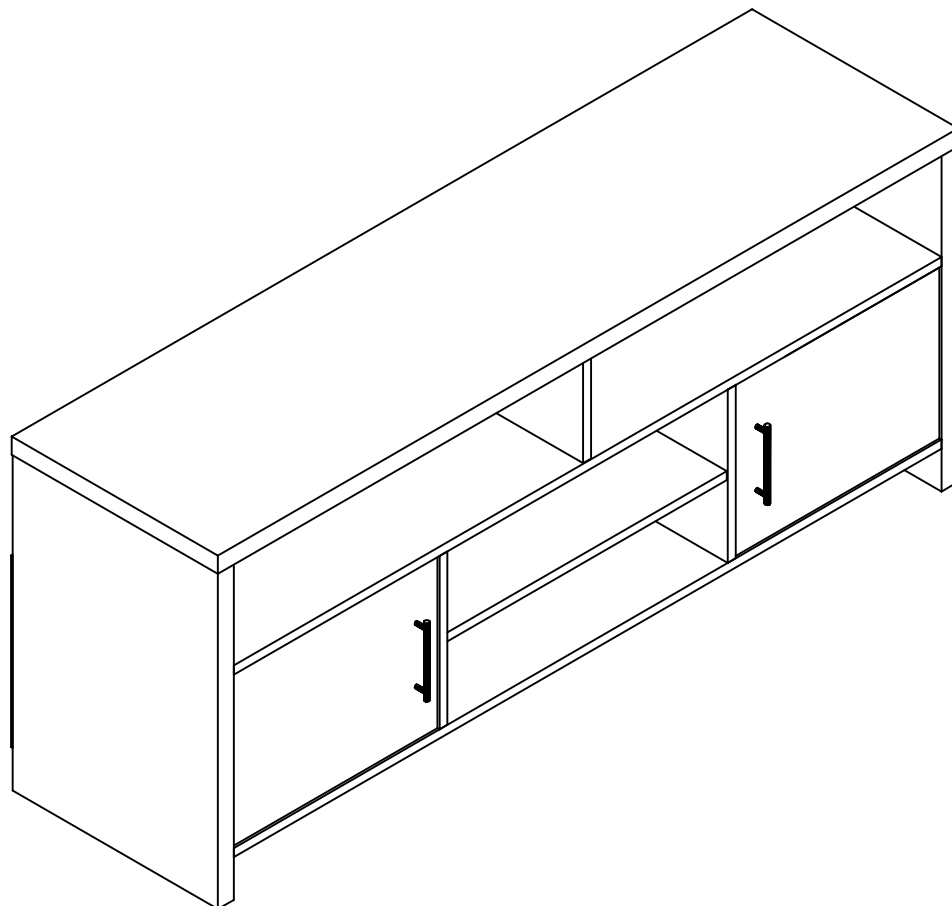


MODEL: FURNI-N-TV02-NT



Hammer and Screwdriver
are not included !!

NO.	QTY.	LINEDRAWING	DESCRIPTION
(A)	22		
(B)	22		Φ15x10
(C)	4		
(D)	6		Φ7x50
(E)	2		
(F)	20		
(G)	32	3.5x14	Φ3.5x14
(H)	8	3x14	Φ3x14
(I)	2		
(J)	4	4x21	Φ4x21
(K)	2		
(L)	22		

Warning instructions:

- 1.Assembly should to be carried out by a competent adult only.
- 2.Regularly check all parts firmly fixed to ensure the furture for safe use.
- 3.Wipe clean only.

Assembly checklist



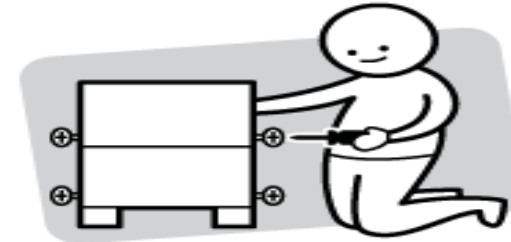
Read through the instructions carefully before you begin.



Make sure you have all the required tools. Do not use power tools.



Identify and lay out all of the components before you begin assembly.



Do not fully tighten all screws until step/ process finished.

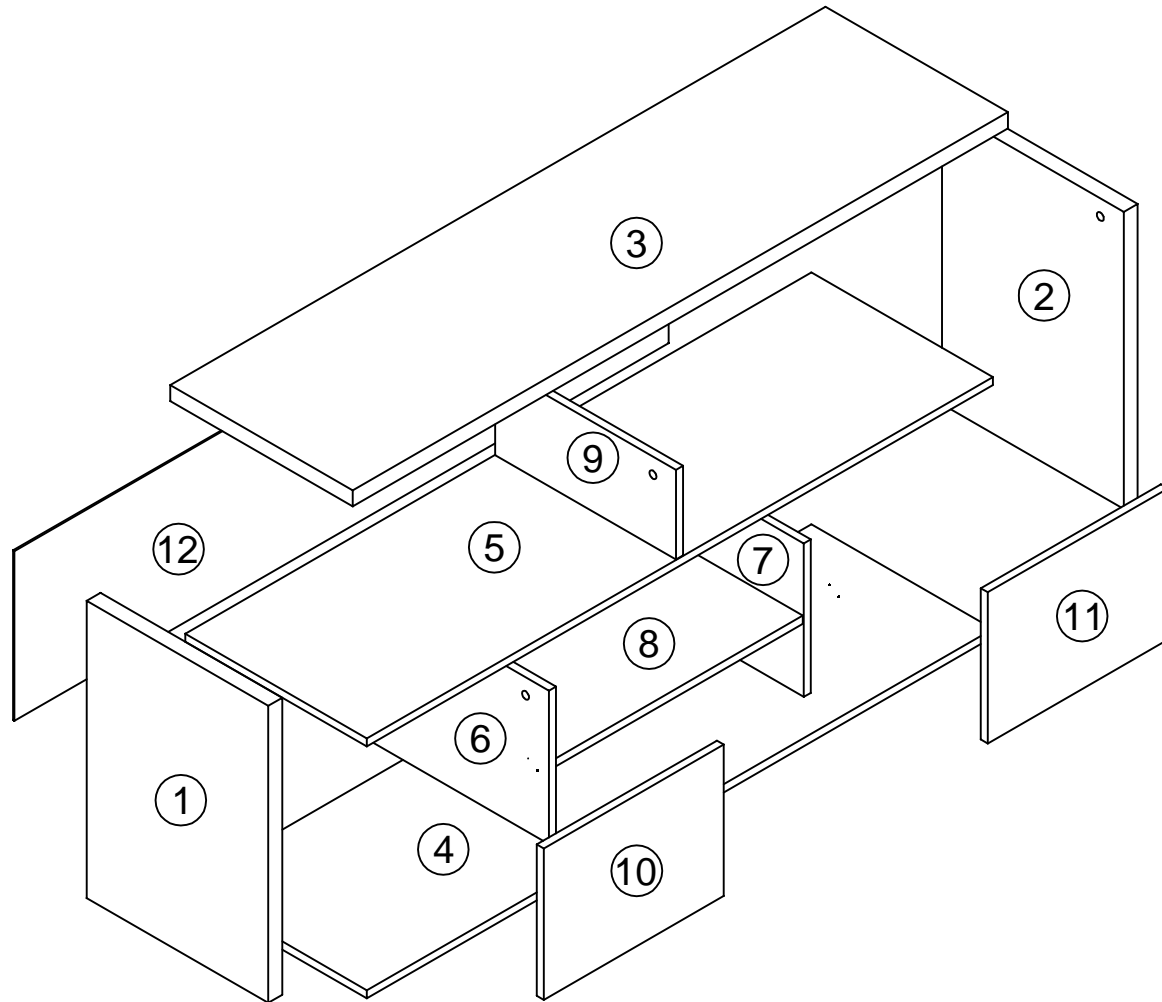
Useful Information

! Never use power tools, they can damage your components or hardware if used incorrectly.

! The most common mistakes made during assembly are using the wrong hardware or getting components back to front.

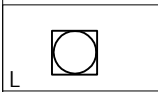
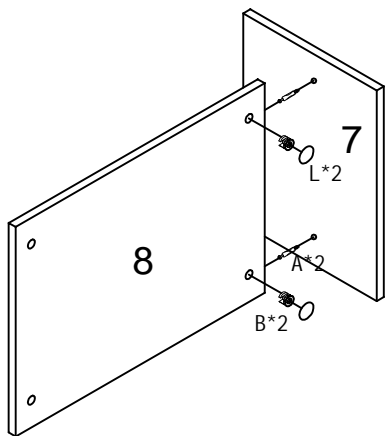
! Always use a soft surface (such as carpet or cardboard) when assembling your product to avoid scratching or damaging the surface of the product.

PARTS LIST



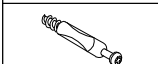
NO.	QTY.
①	1
②	1
③	1
④	1
⑤	1
⑥	1
⑦	1
⑧	1
⑨	1
⑩	1
⑪	1
⑫	1

1



L

2x



A

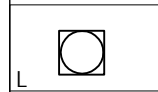
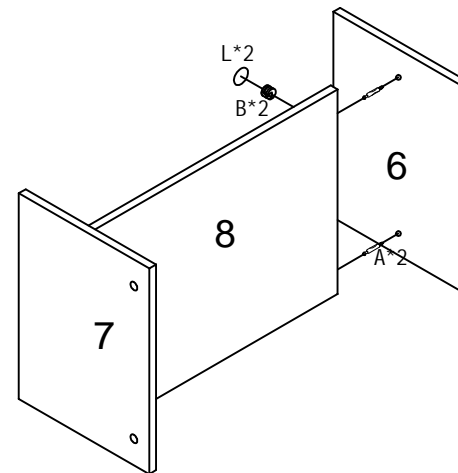
2x



B

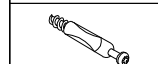
2x

2



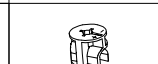
L

2x



A

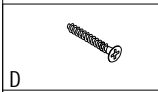
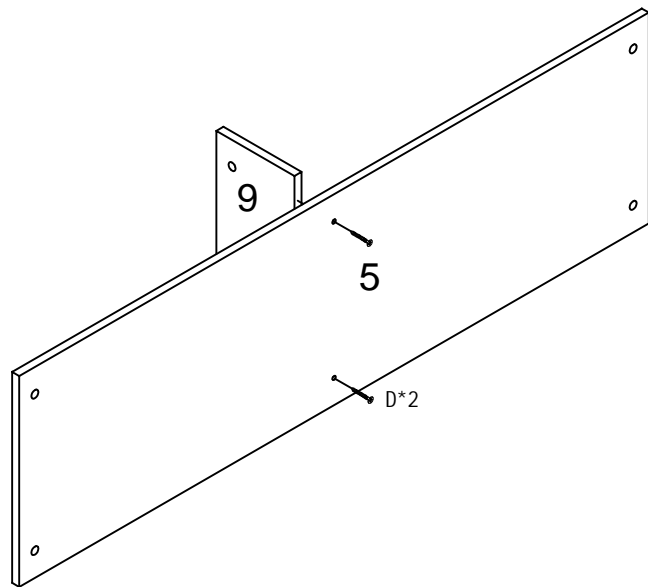
2x



B

2x

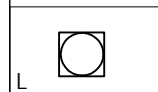
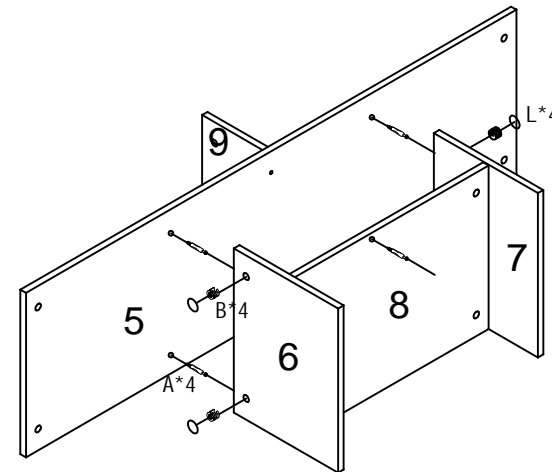
3



D

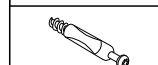
2x

4



L

4x



A

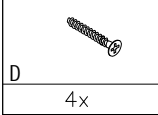
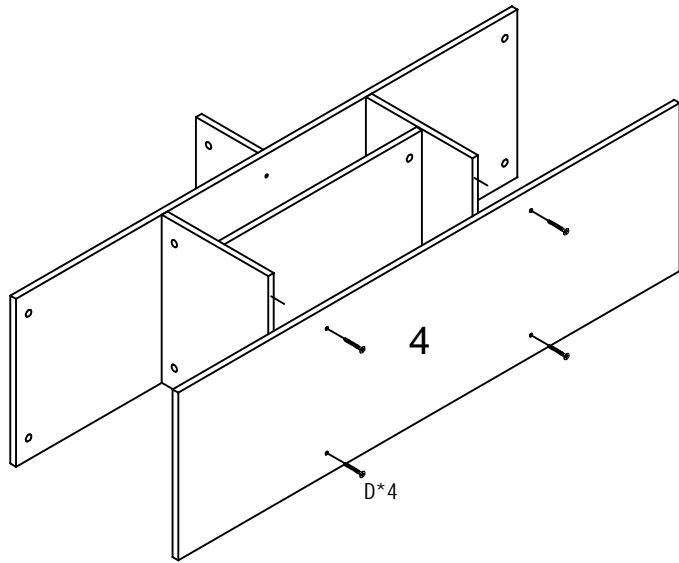
4x



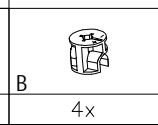
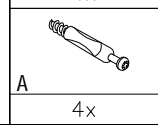
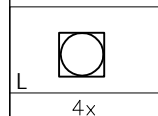
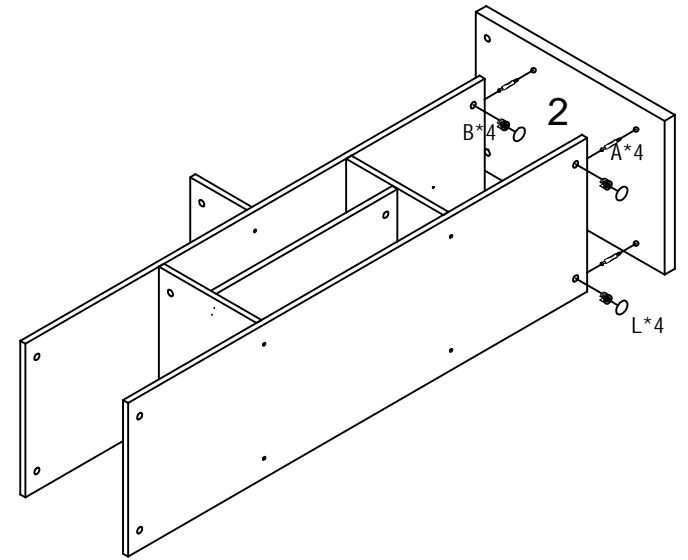
B

4x

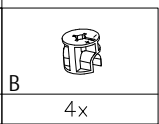
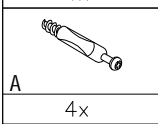
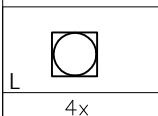
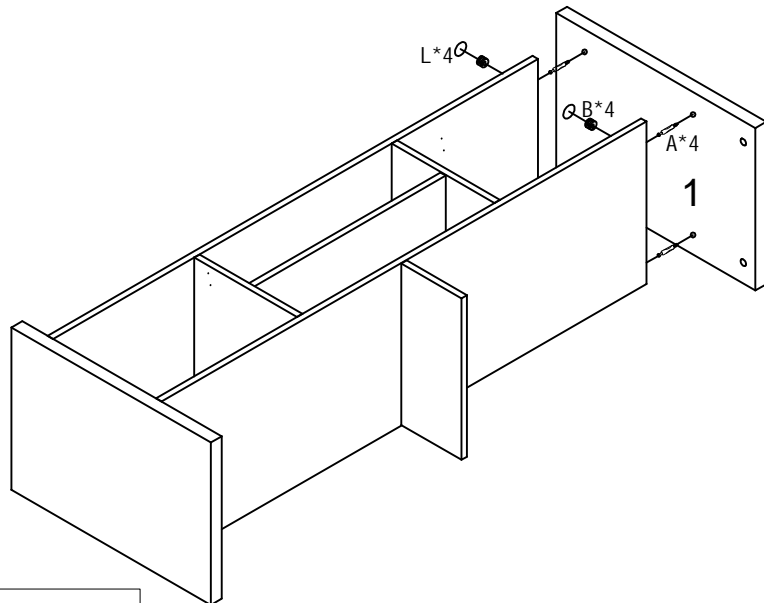
5



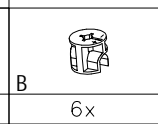
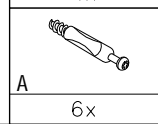
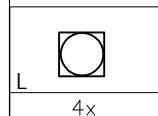
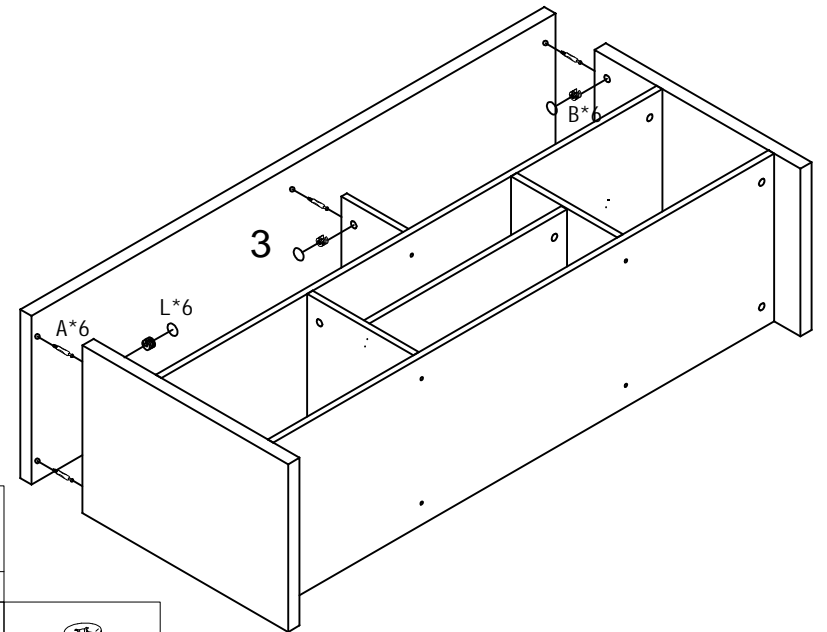
6



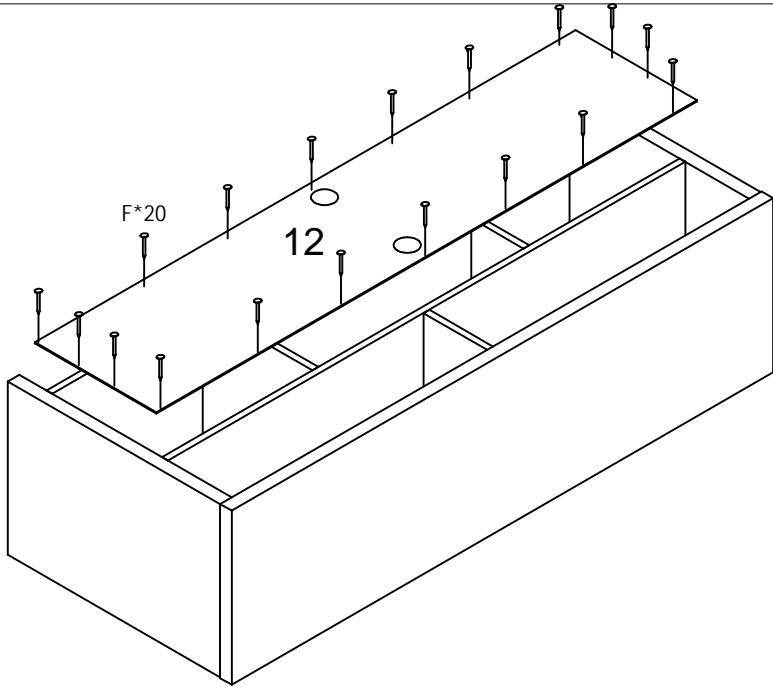
7



8

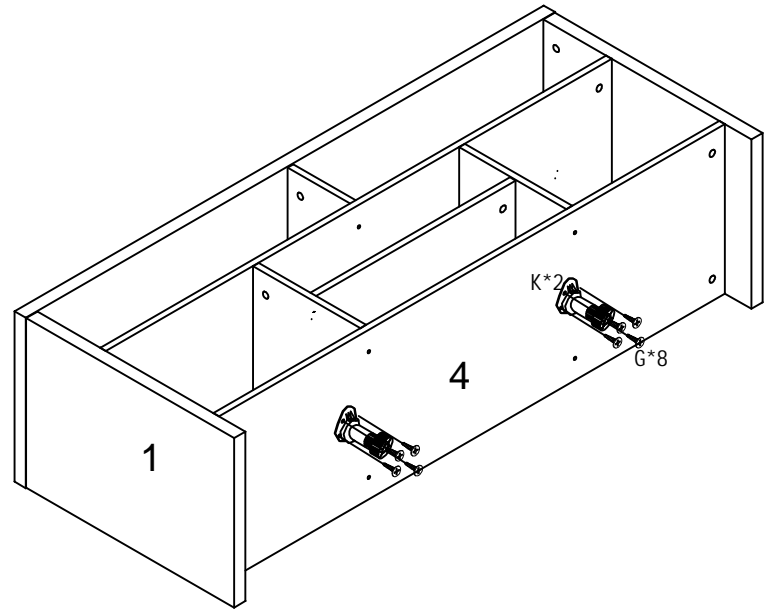


9



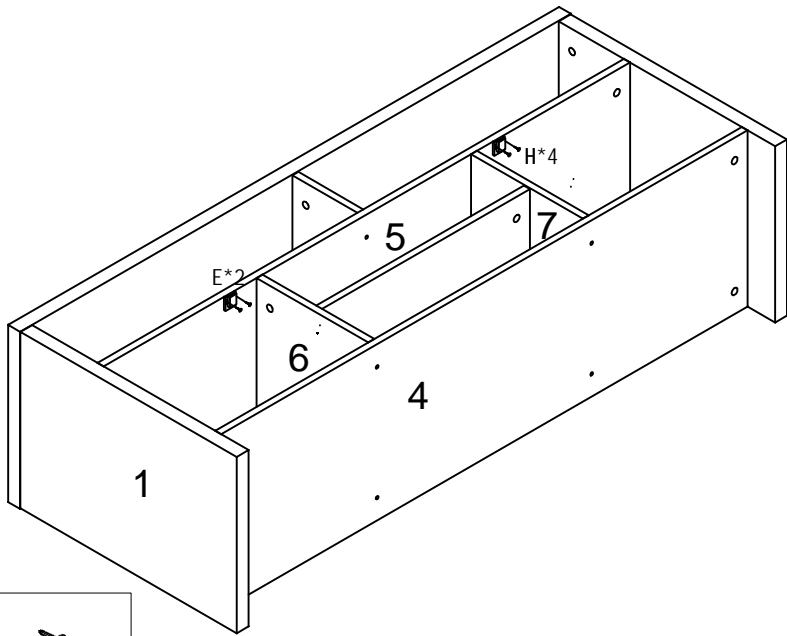
F	
20x	

10



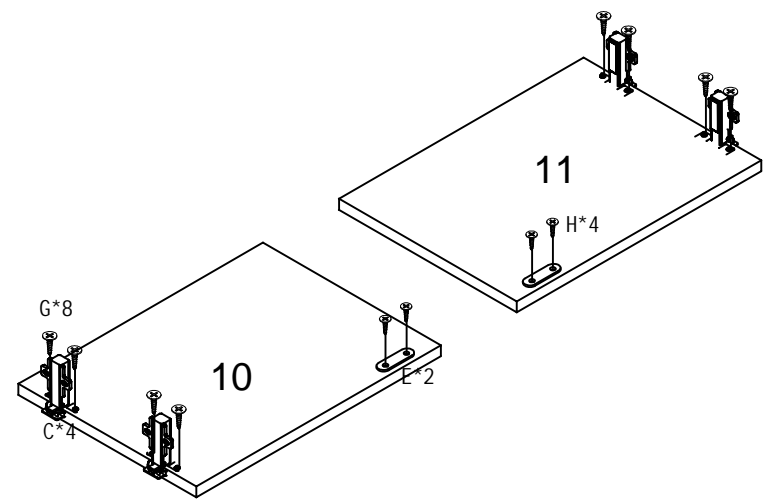
K	
2x	
G	
3.5x14	
8x	

11



E		H	
2x		3x14	
		4x	

12



C		G		E		H	
4x		3.5x14		2x		3x14	
		8x				4x	

13

