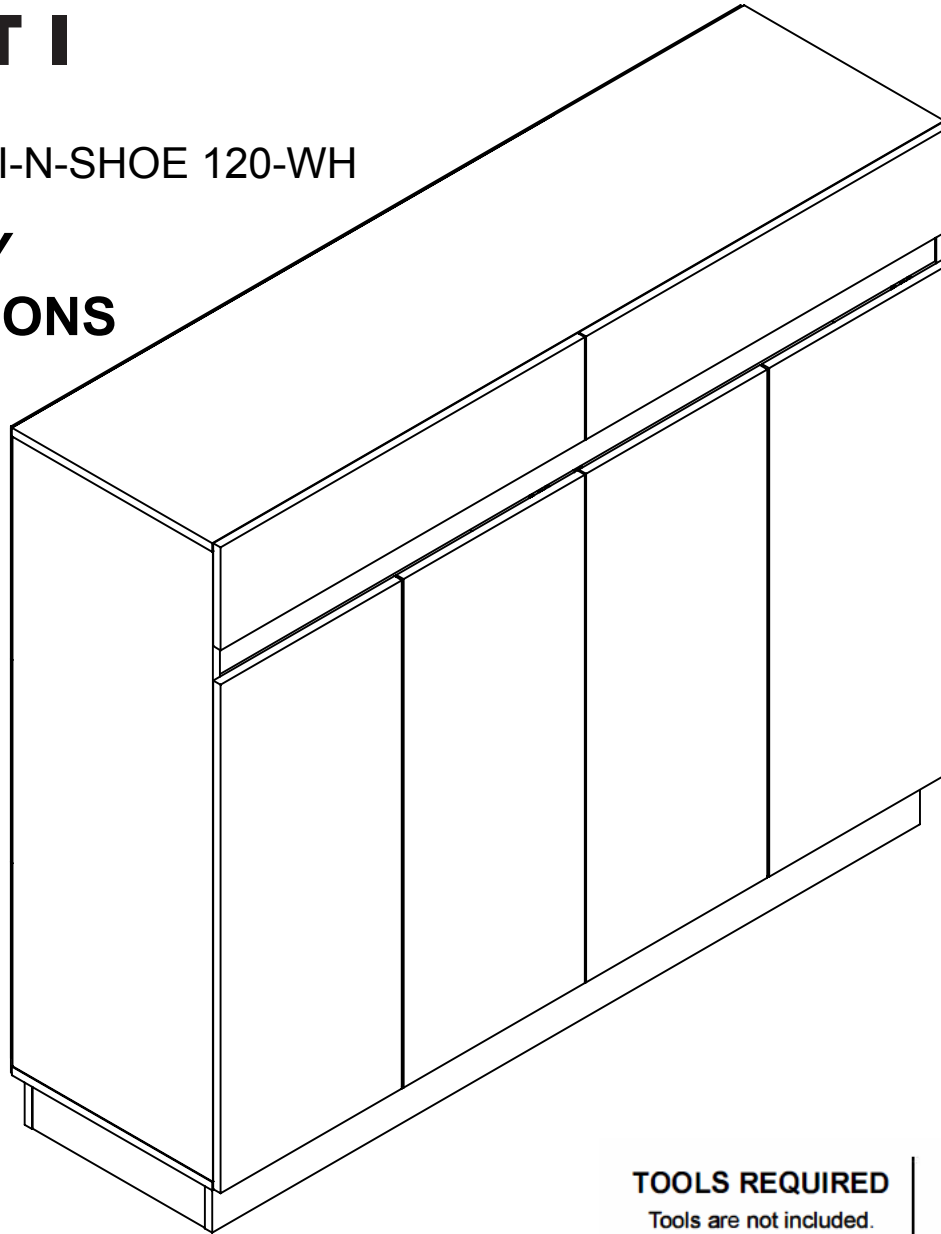




MODEL:FURNI-N-SHOE 120-WH

# ASSEMBLY INSTRUCTIONS



### TOOLS REQUIRED

Tools are not included.



Two persons required to do assembly



NO.	QTY.	LINEDRAWING
(A)	56	
(B)	56	
(C)	14	6x30
(D)	30	
(E)	4	
(F)	16	3.5x14
(G)	52	3.5x12
(K)	24	
(H)	2	H1 H2
(I)	2	
(J)	14	3.5x35
(L)	2	
(M)	4	
(N)	8	
(O)	2	

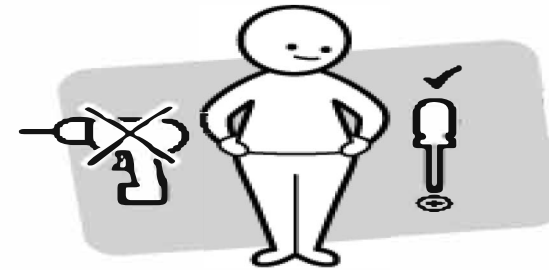
### ATTENTION

1. Assembly should be carried out by two competent adults.
2. Regularly check that all parts and connections are secured before using the product.
3. Wipe clean only.

# Assembly checklist



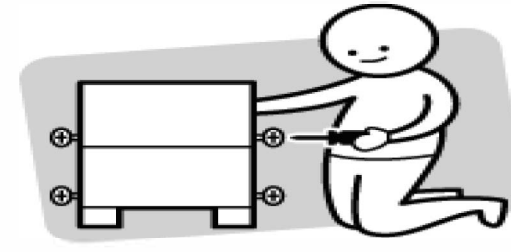
Read through the instructions carefully before you begin.



Make sure you have all the required tools. Do not use power tools.



Identify and lay out all of the components before you begin assembly.



Do not fully tighten all screws until step/ process finished.

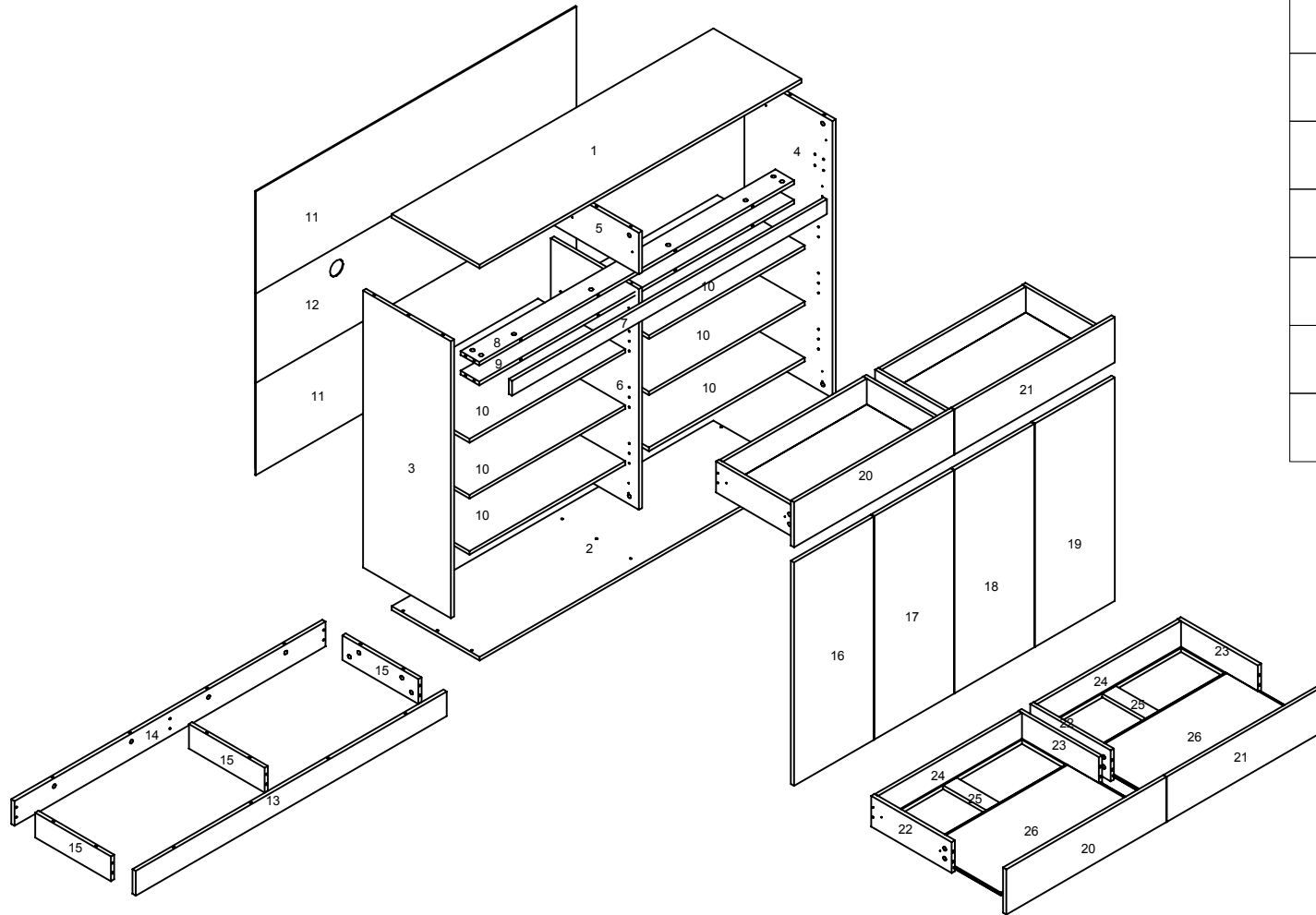
## Useful Information

**!** Never use power tools, they can damage your components or hardware if used incorrectly.

**!** The most common mistakes made during assembly are using the wrong hardware or getting components back to front.

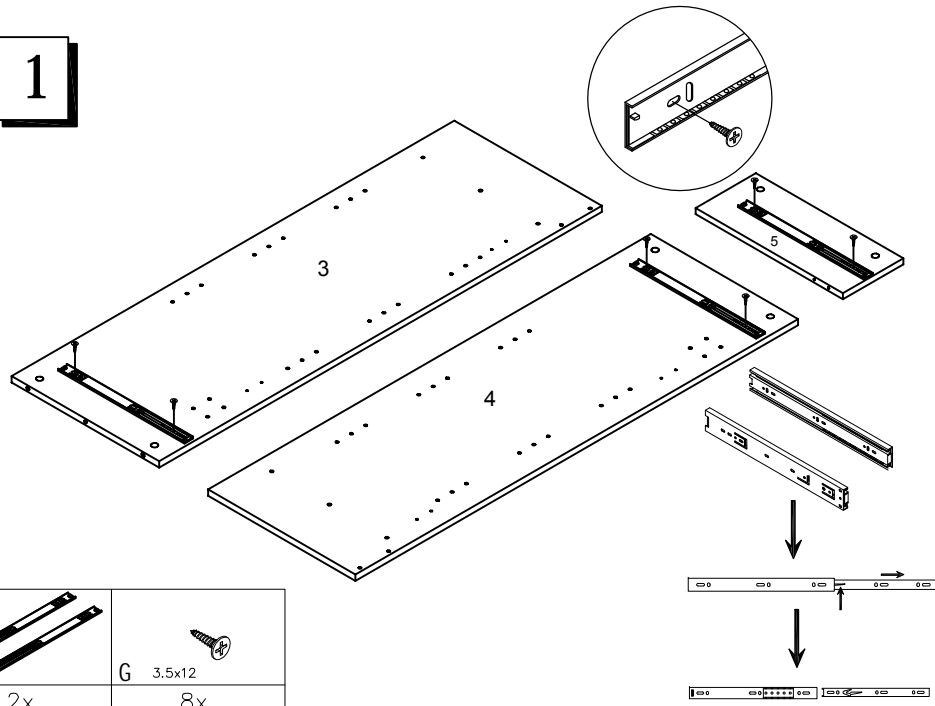
**!** Always use a soft surface (such as carpet or cardboard) when assembling your product to avoid scratching or damaging the surface of the product.



# PARTS LIST



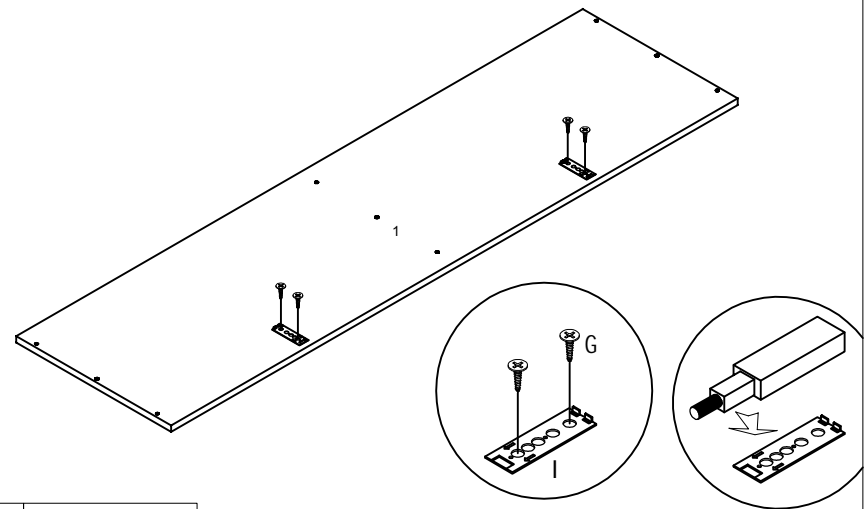
NO.	QTY.	NO.	QTY.
⑮	1	①	1
⑲	1	②	1
⑳	1	③	1
㉑	1	④	1
㉒	2	⑤	1
㉓	2	⑥	1
㉔	2	⑦	1
㉕	2	⑧	1
㉖	2	⑨	1
		⑩	6
		⑪	2
		⑫	1
		⑬	1
		⑭	1
		⑮	3
		⑯	1
		⑰	1


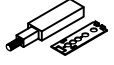
1



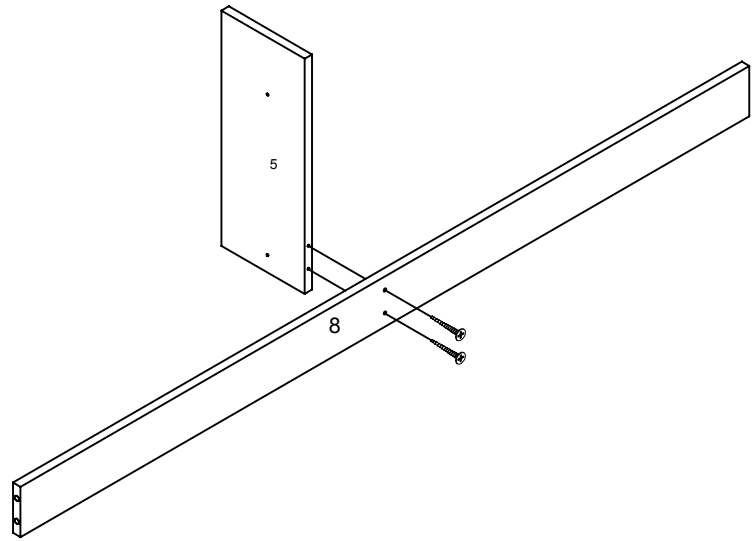
 H 2x	 G 3.5x12 8x
---	---

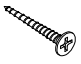
2



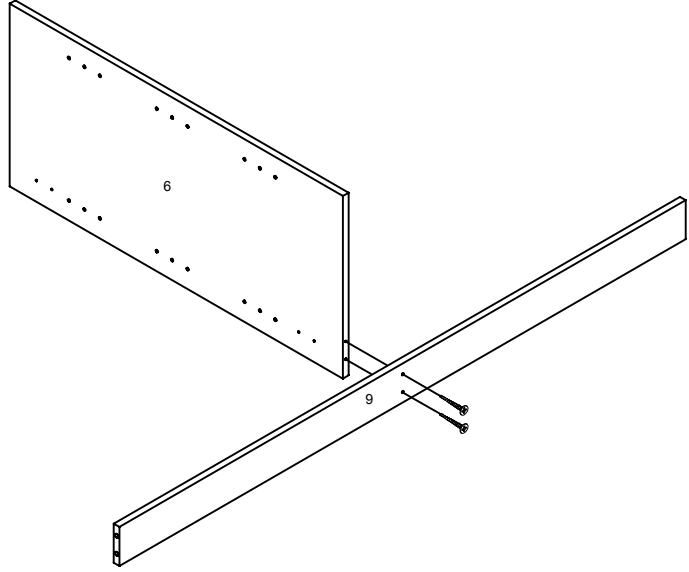
 G 3.5x12 4x	 I 2x
---	--


3



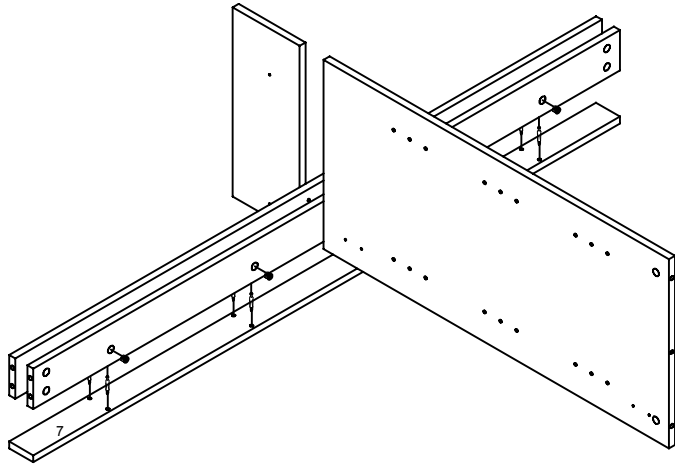
 J 2x
---



4



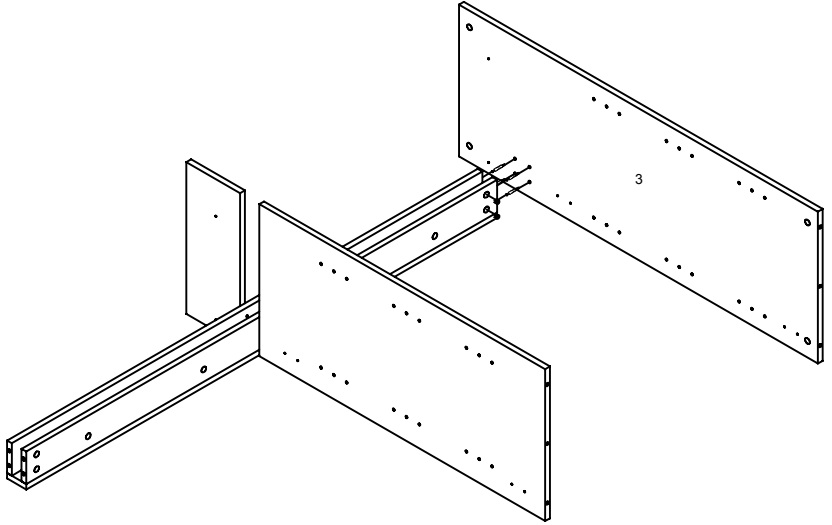
 J 2x
--



5



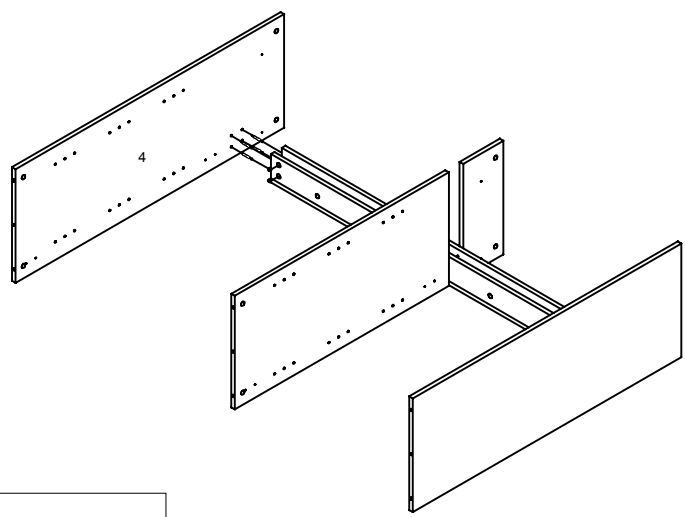
A 	B 
8x	8x



6



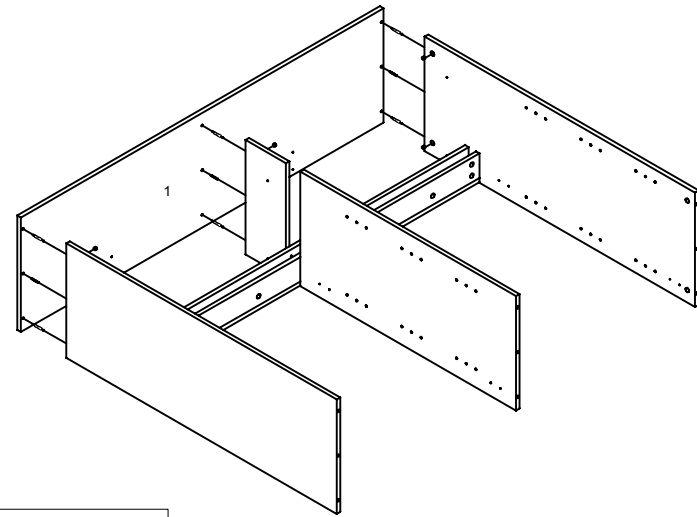
A 	B 
4x	4x




7



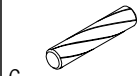
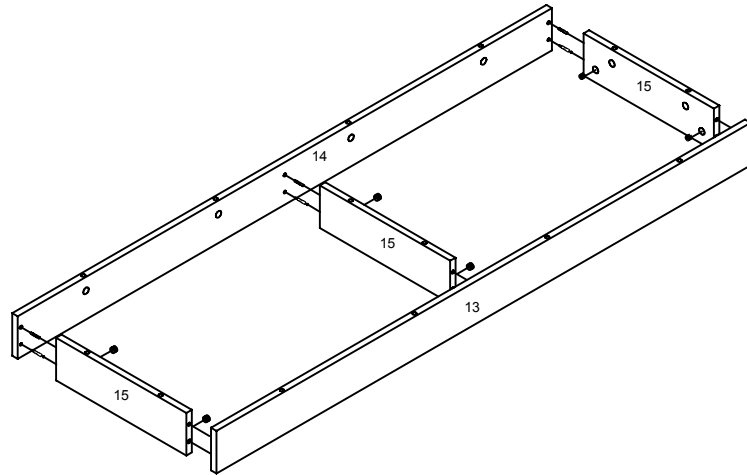
A 	B 
4x	4x

8



C 		
3x		
A 	B 	
6x	6x	

9



6x

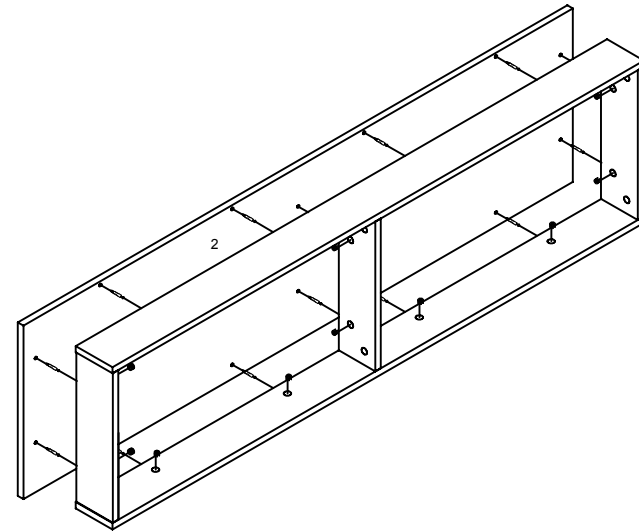


6x



6x

10

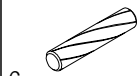
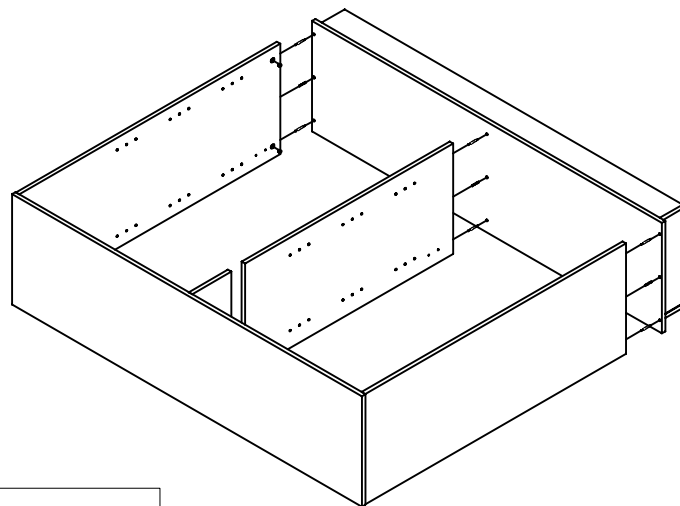


14x



14x

11



3x

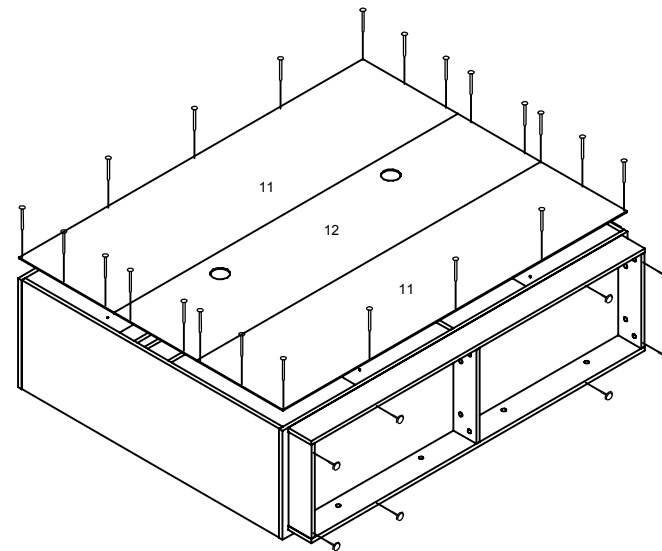


6x



6x

12



30x

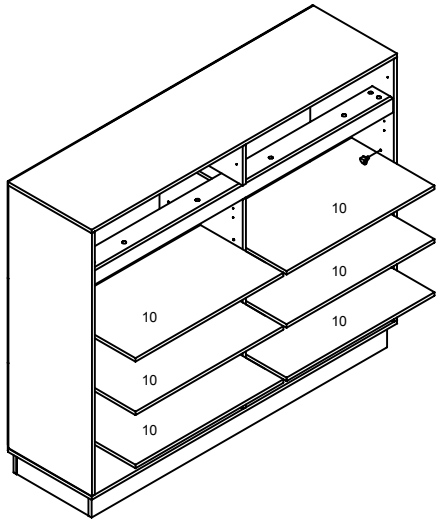


8x



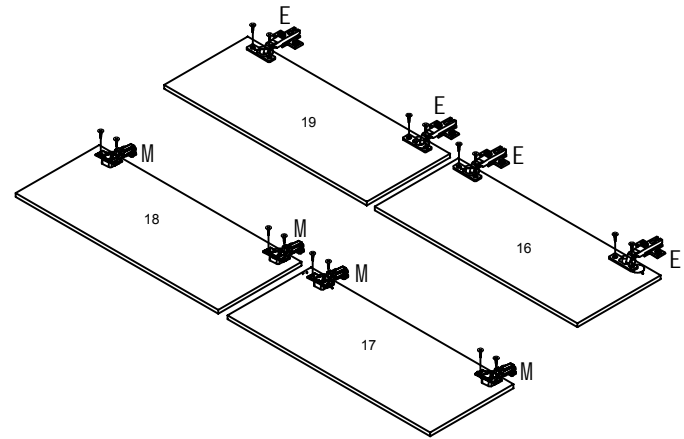
2x

13



K  
24x

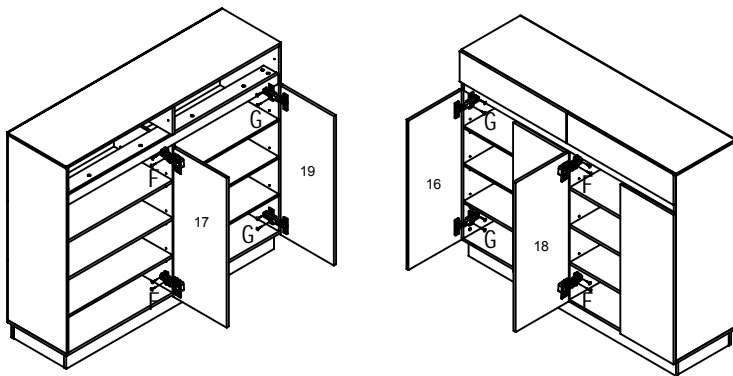
14



G 3.5x12  
16x

E 4x	M 4x
---------	---------

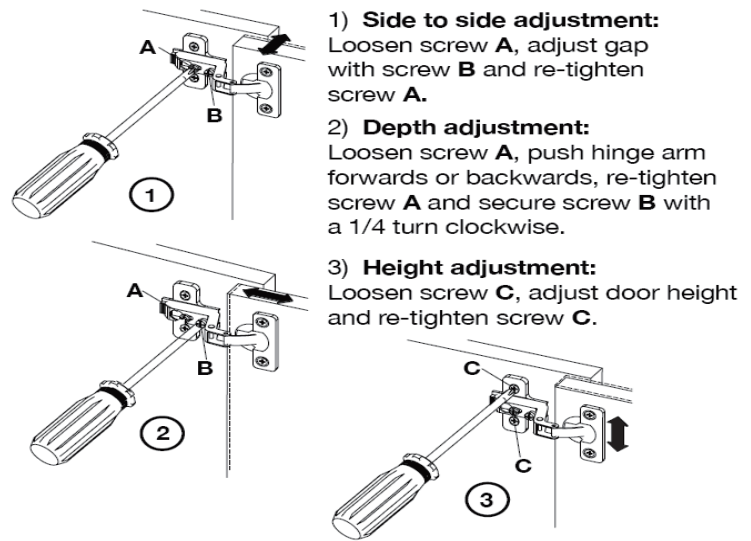
15



G 16x	F 16x
----------	----------

### hinge adjustment

If the doors do not appear square or aligned, loosen or tighten the appropriate screws on each case hinge as illustrated.

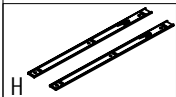
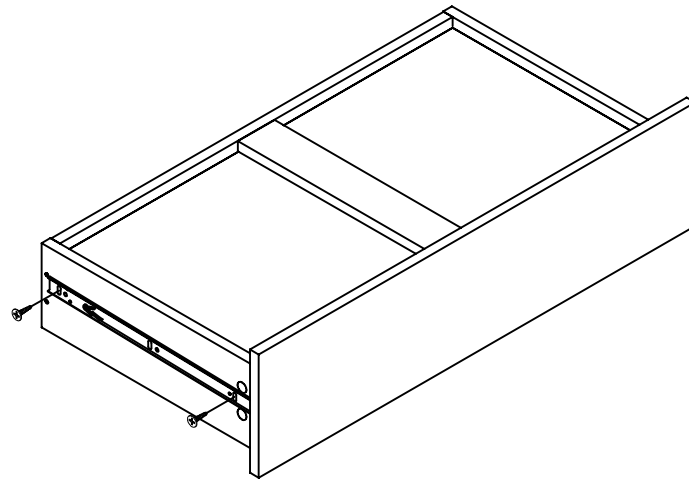
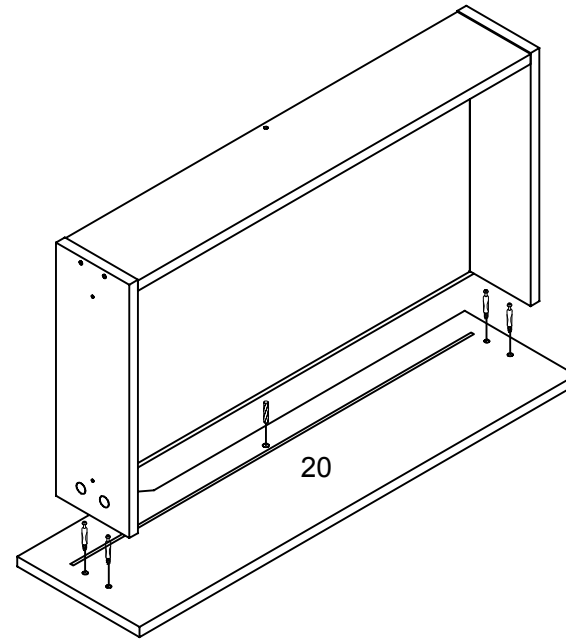
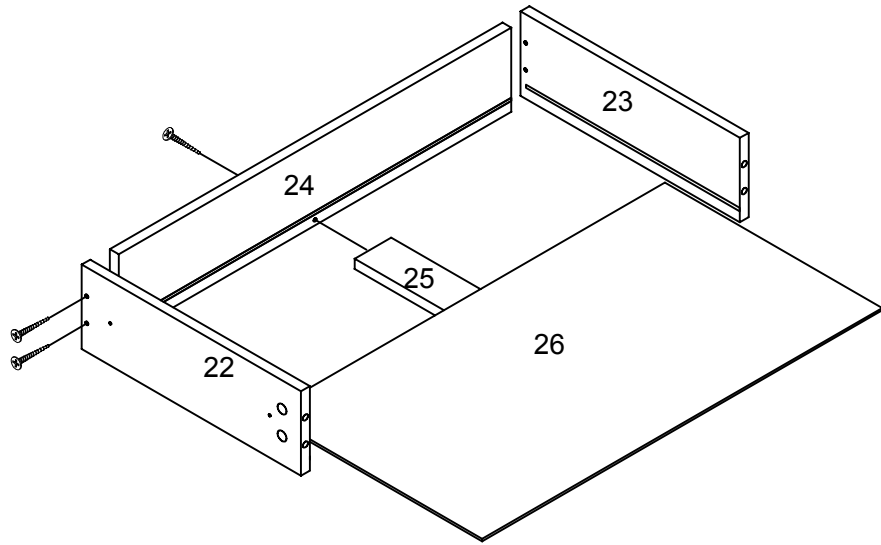


1) **Side to side adjustment:**  
Loosen screw **A**, adjust gap with screw **B** and re-tighten screw **A**.

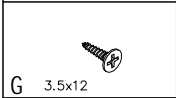
2) **Depth adjustment:**  
Loosen screw **A**, push hinge arm forwards or backwards, re-tighten screw **A** and secure screw **B** with a 1/4 turn clockwise.

3) **Height adjustment:**  
Loosen screw **C**, adjust door height and re-tighten screw **C**.

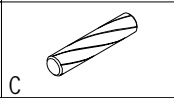
16



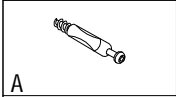
2x



8x



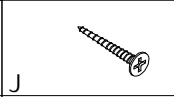
2x



8x



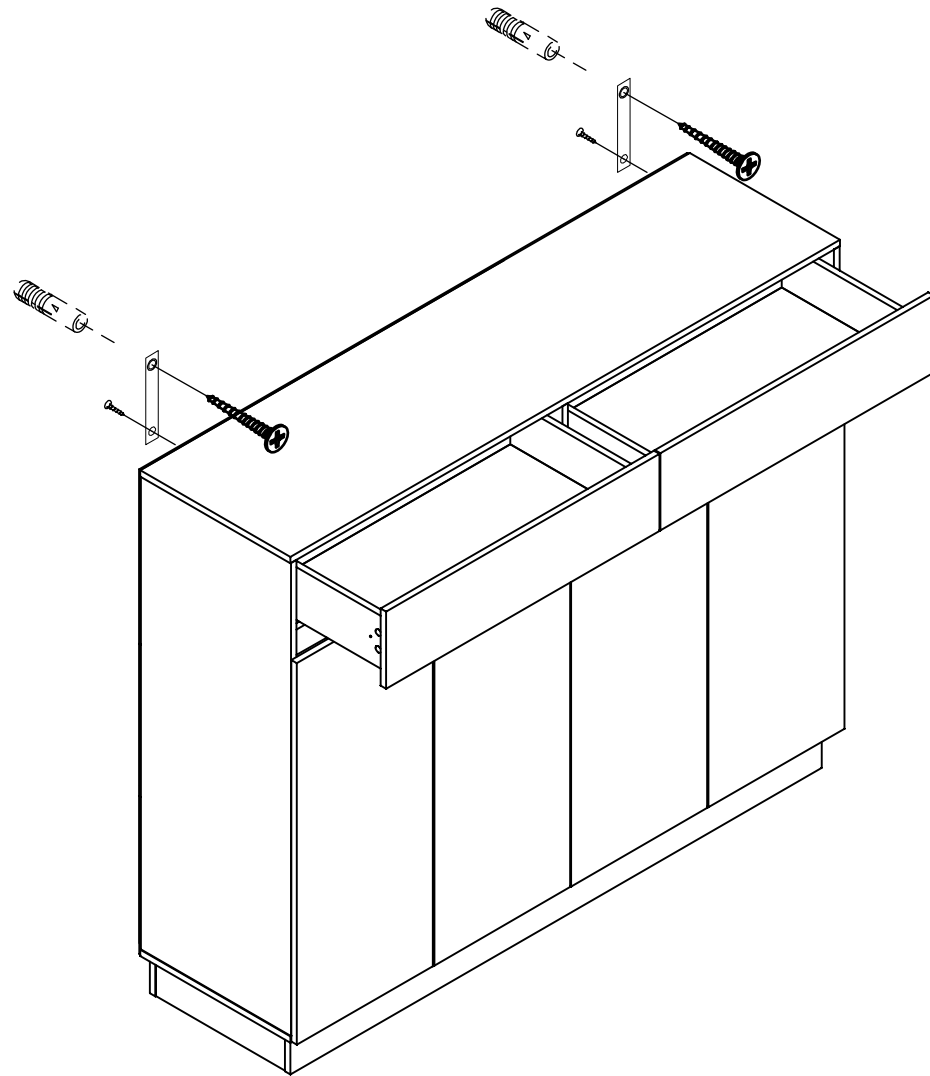
8x



10x



17



0

3.5x14

3.5x35

2x