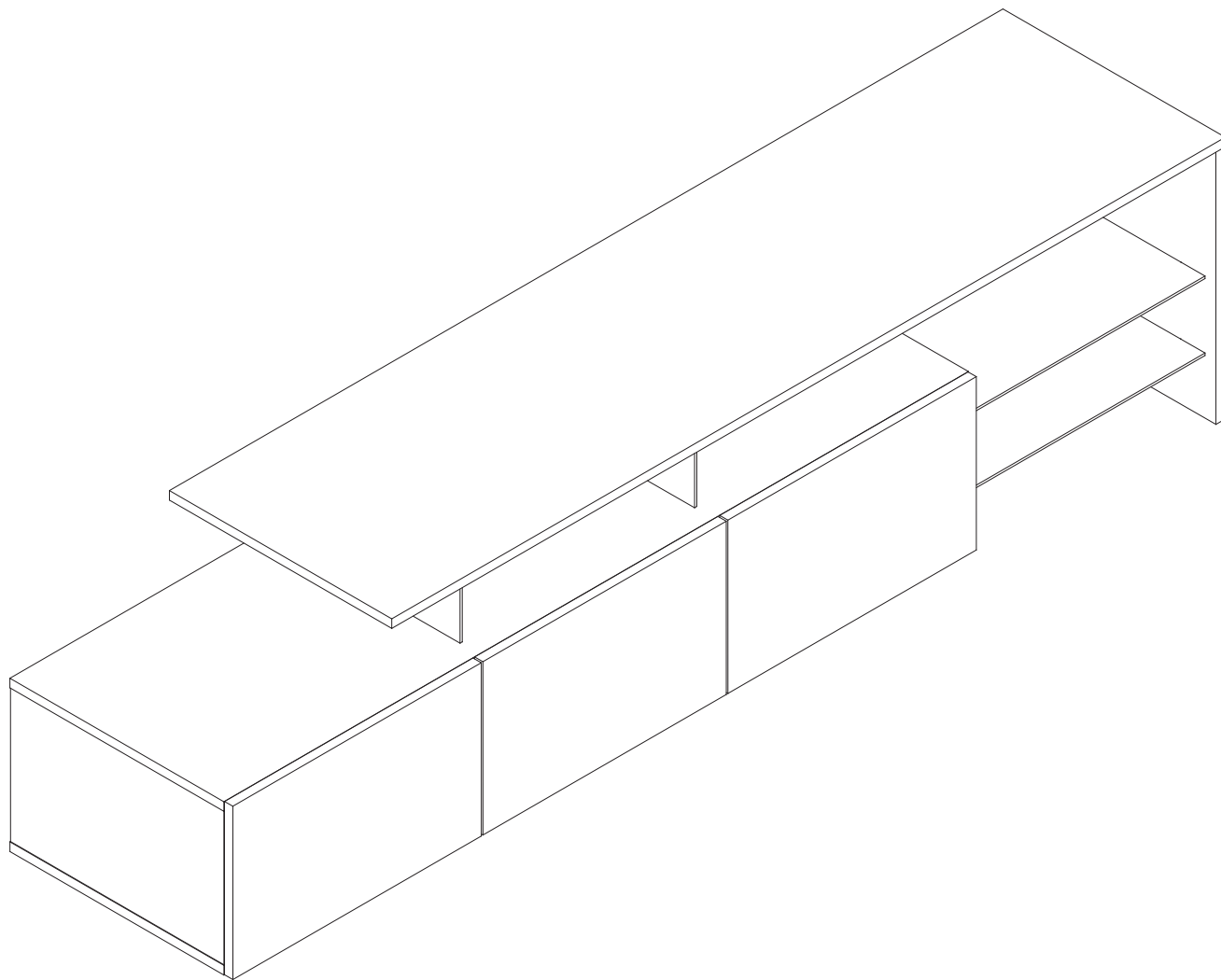


The warning sticker on the furniture is a mandatory requirement in Australia, and it can be removed by wet cloth.



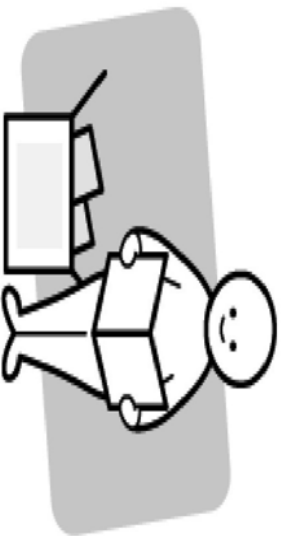
ASSEMBLY INSTRUCTIONS

FURNI-L-GS-TV180-WHWD

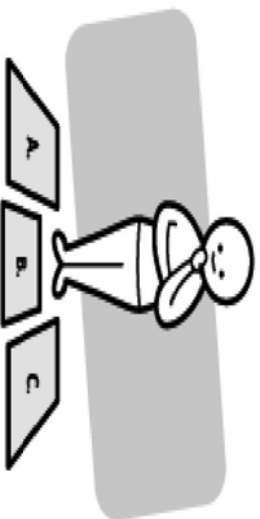
1. Assembly should only be carried out by an adult.
2. Check periodically that all parts are firmly fixed to ensure safe use.
3. Wipe clean only.



ASSEMBLY CHECKLIST



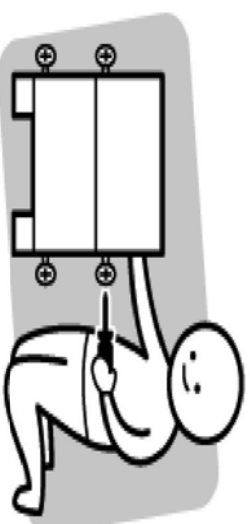
Read instructions carefully before you begin.



Identify and lay out all the parts before you begin assembly.



Ensure that you have all the required tools.
Do not use power tools.

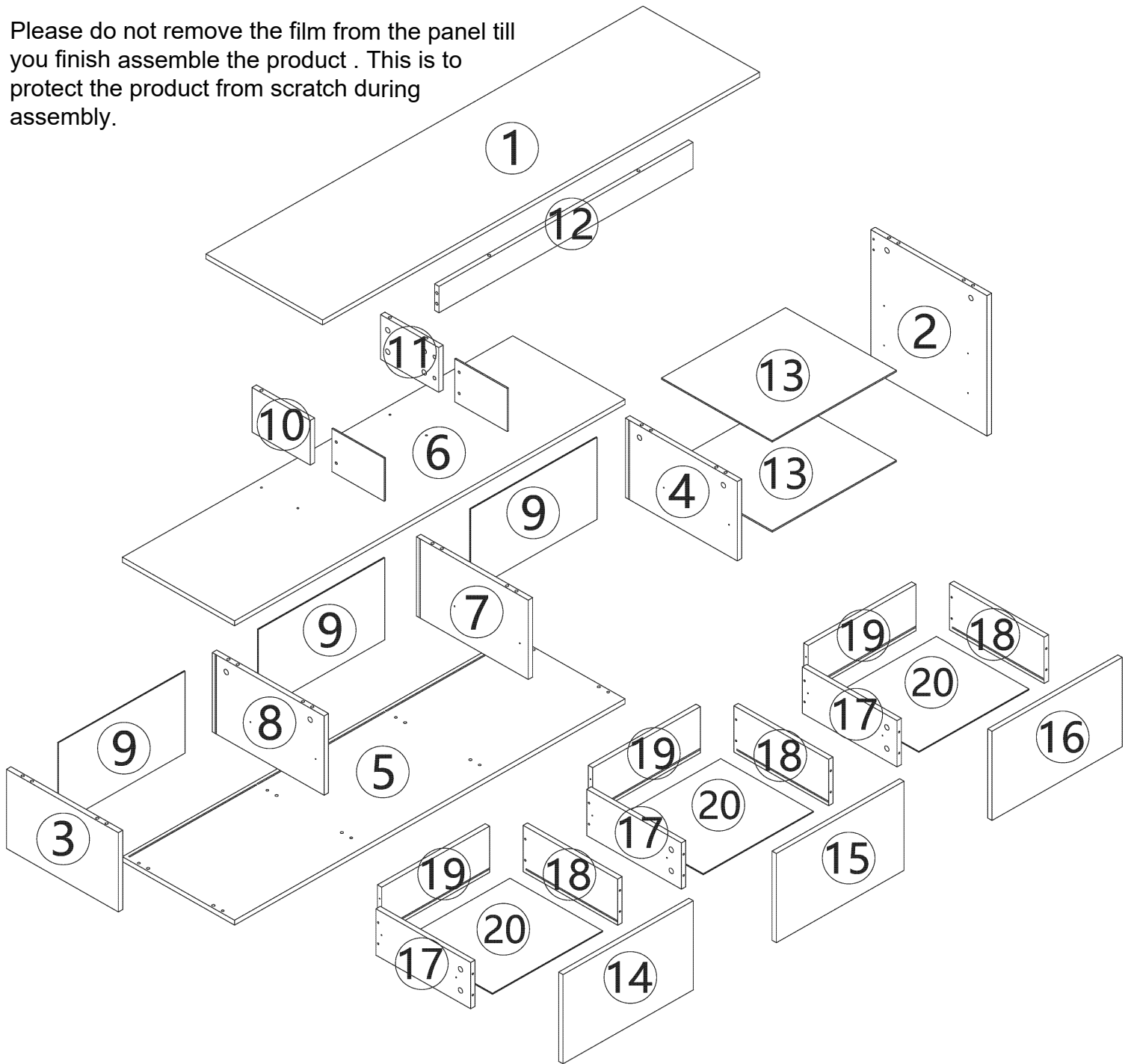


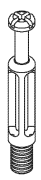
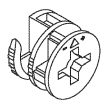
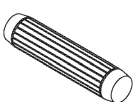

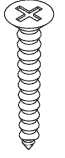
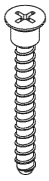
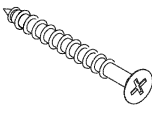
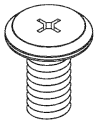
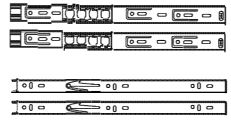
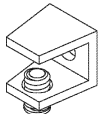
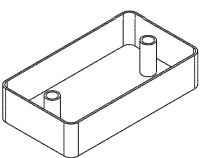
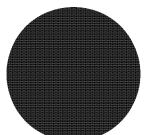
Do not fully tighten all screws until the step or process has finished.

USEFUL TIPS

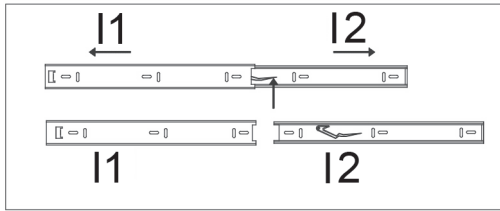
1. Never use power tools. They may damage your parts or hardware if used incorrectly.
2. The most common mistakes made during assembly are using the wrong hardware or getting parts back to front.
3. Always assemble product on a soft surface (such as a carpet or cardboard) to avoid scratches or damage on the product surfaces.

Please do not remove the film from the panel till you finish assemble the product . This is to protect the product from scratch during assembly.

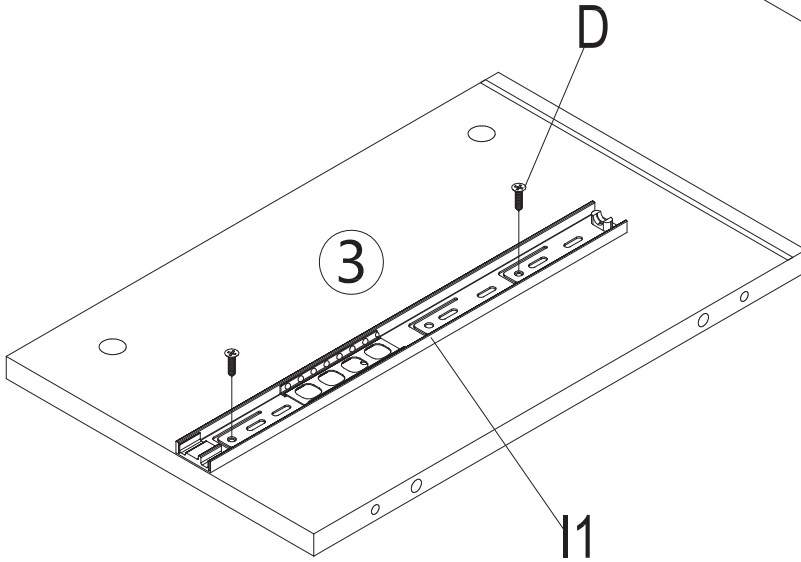
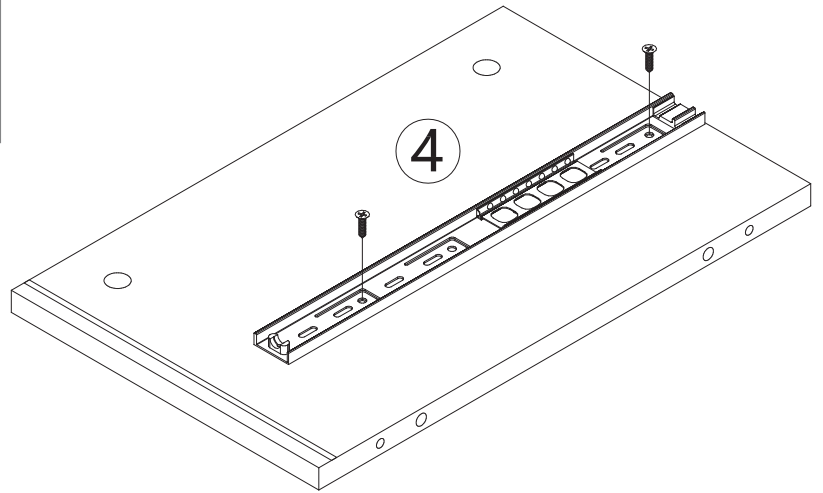


A  36	B  36	C  8*40 18	D  3.5*14 32	E  3.5*25 12
F  7*50	G  3.5*35 8	H  M6*12 12	I  350mm 11 12 3	J  8
K  6	L  $\phi 20$ 36			

1

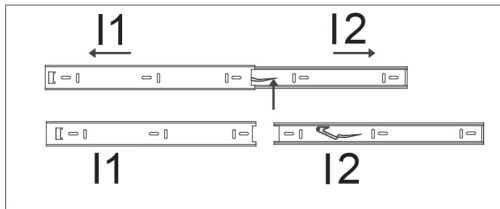


Remove C2 from C1 by pressing the catch as indicated in the drawing.

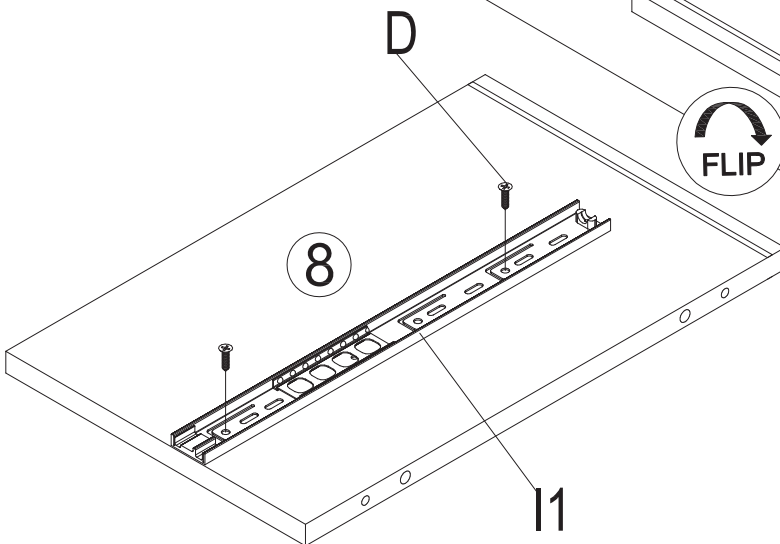
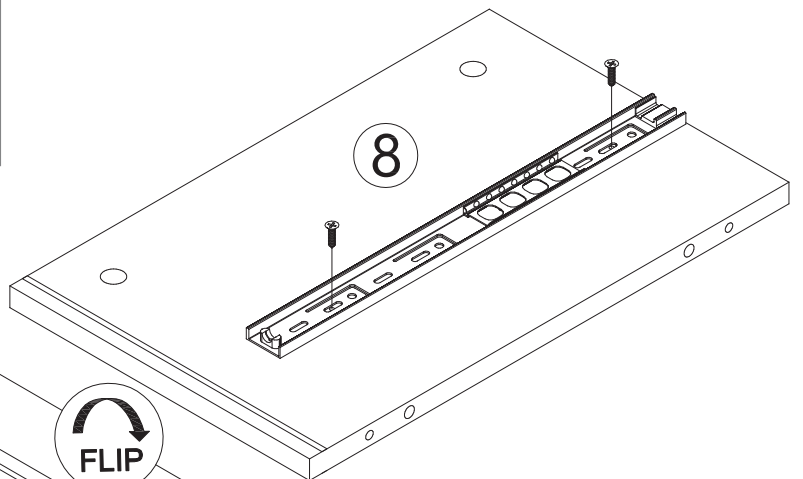


I1×1
D×4

2

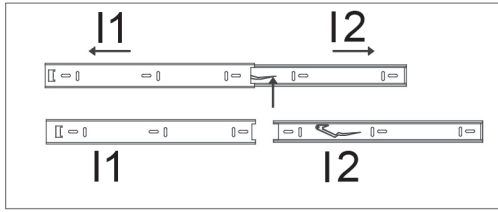


Remove C2 from C1 by pressing the catch as indicated in the drawing.

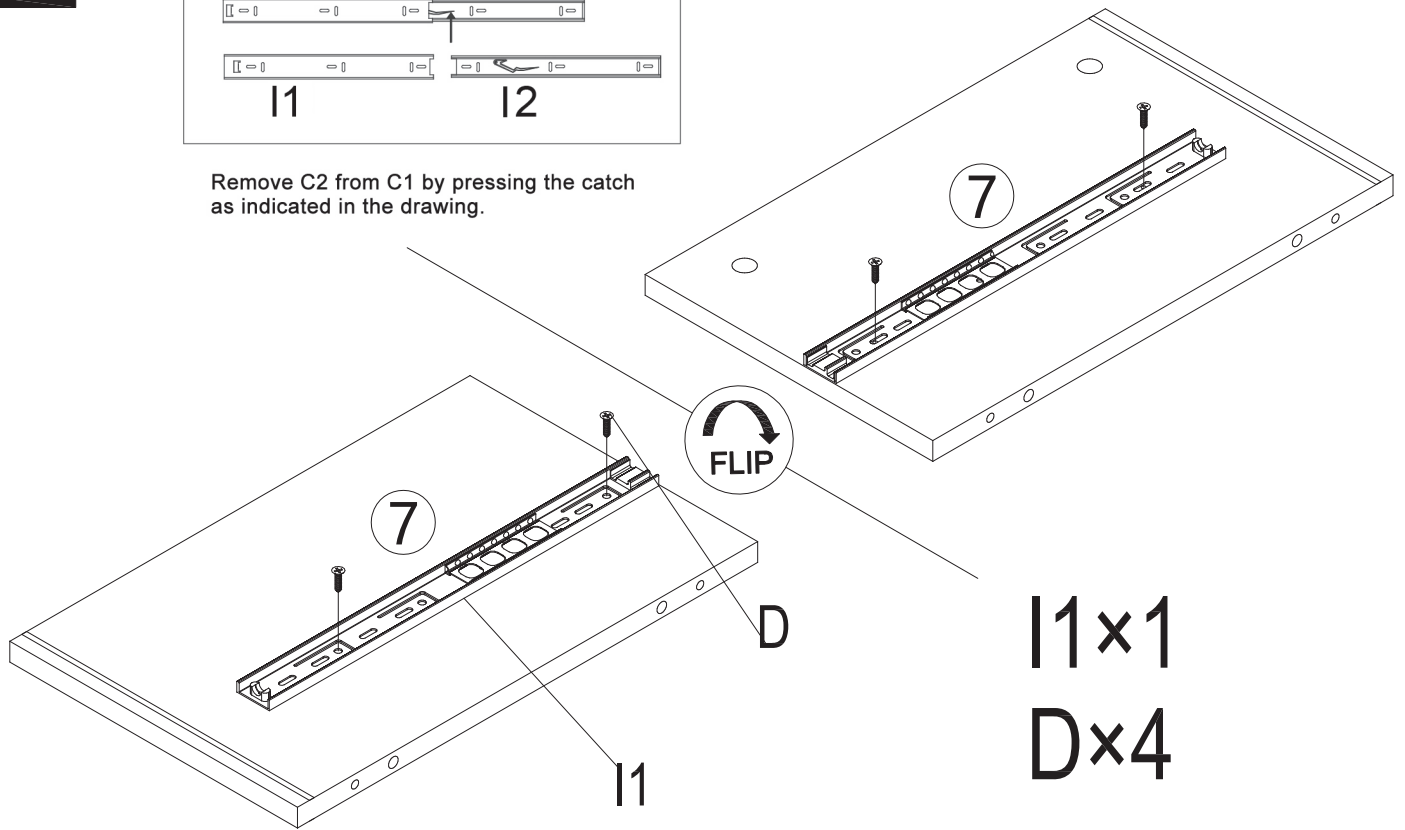


I1×1
D×4

3

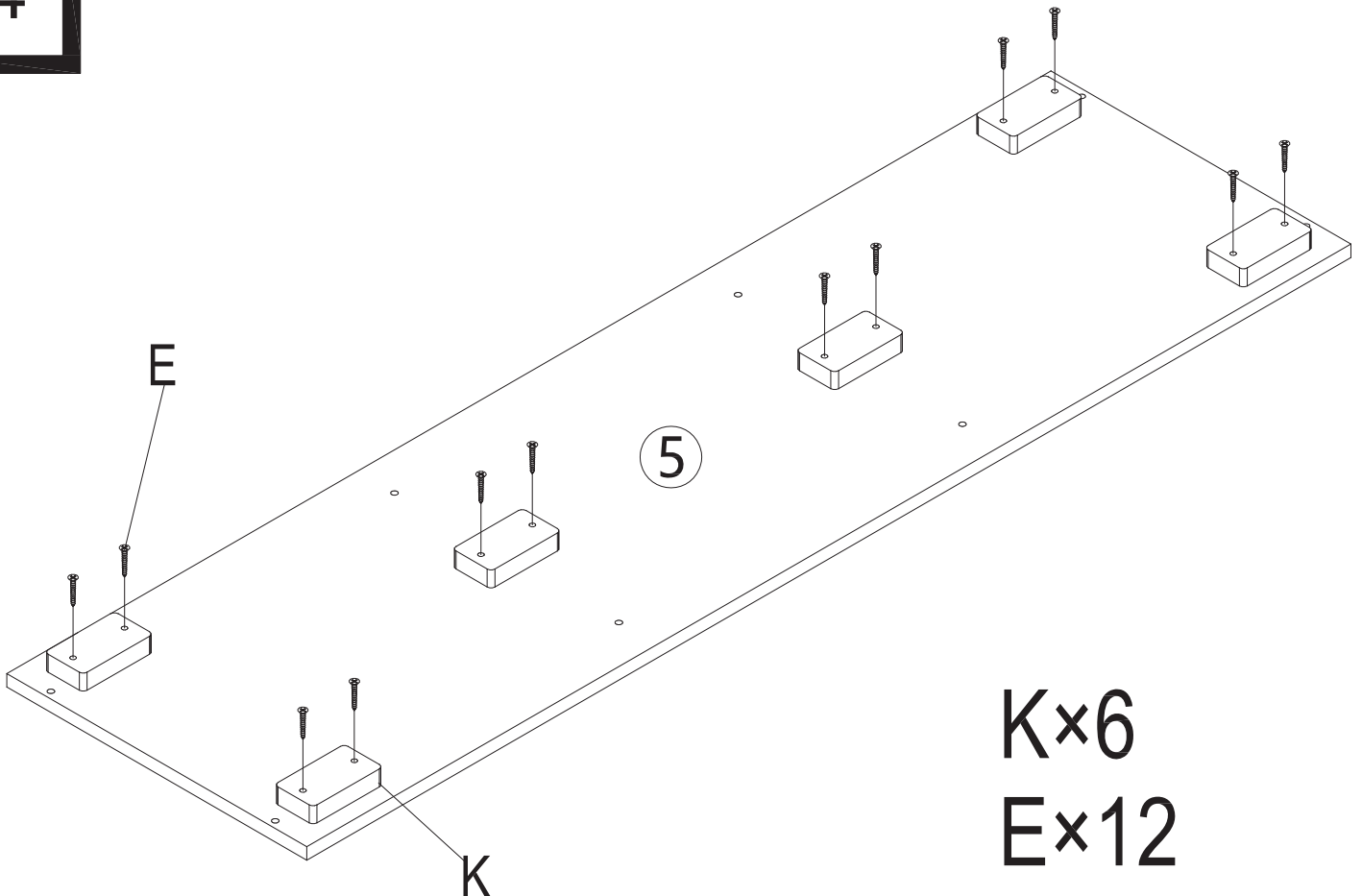


Remove C2 from C1 by pressing the catch as indicated in the drawing.



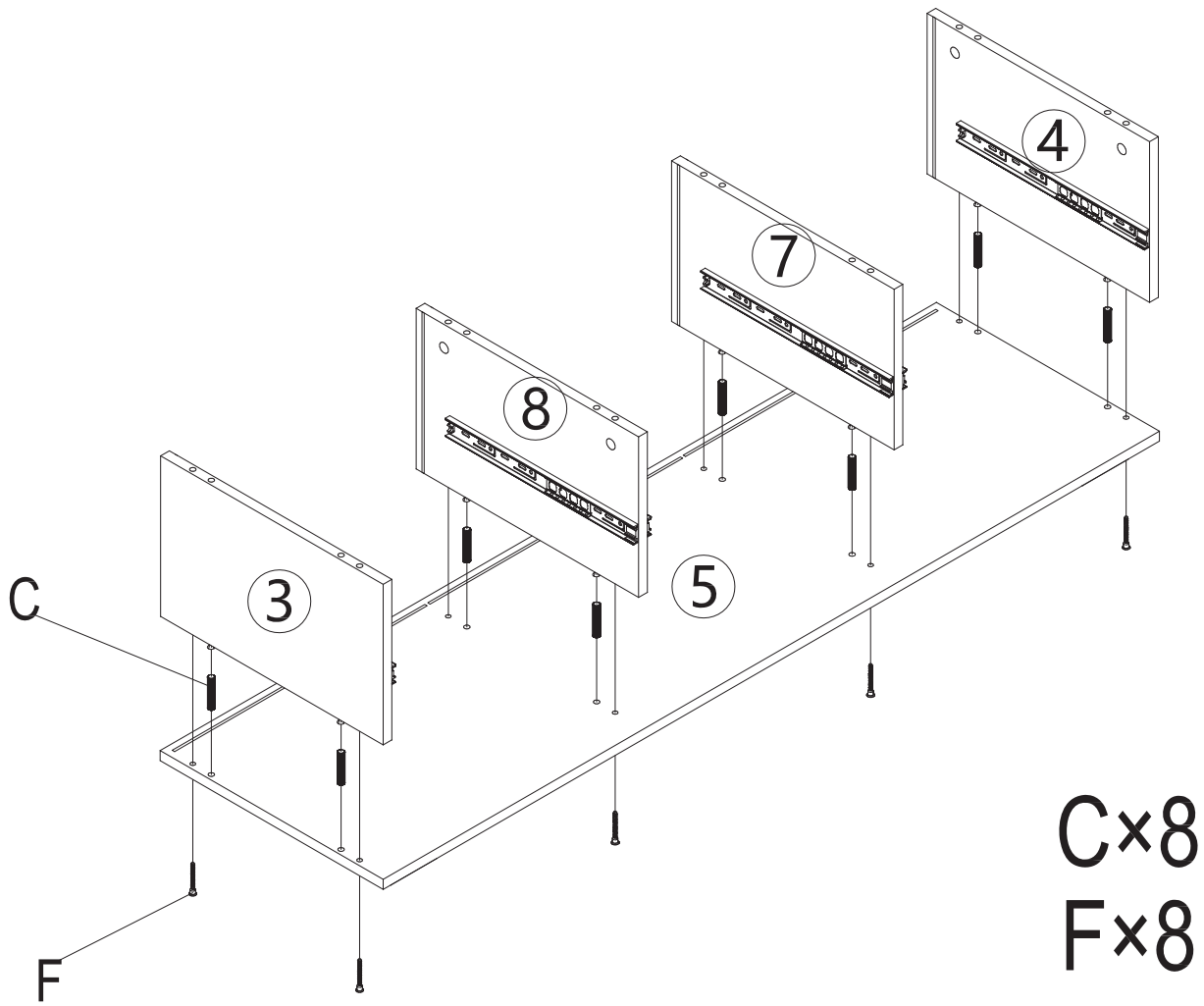
I1 x 1
D x 4

4

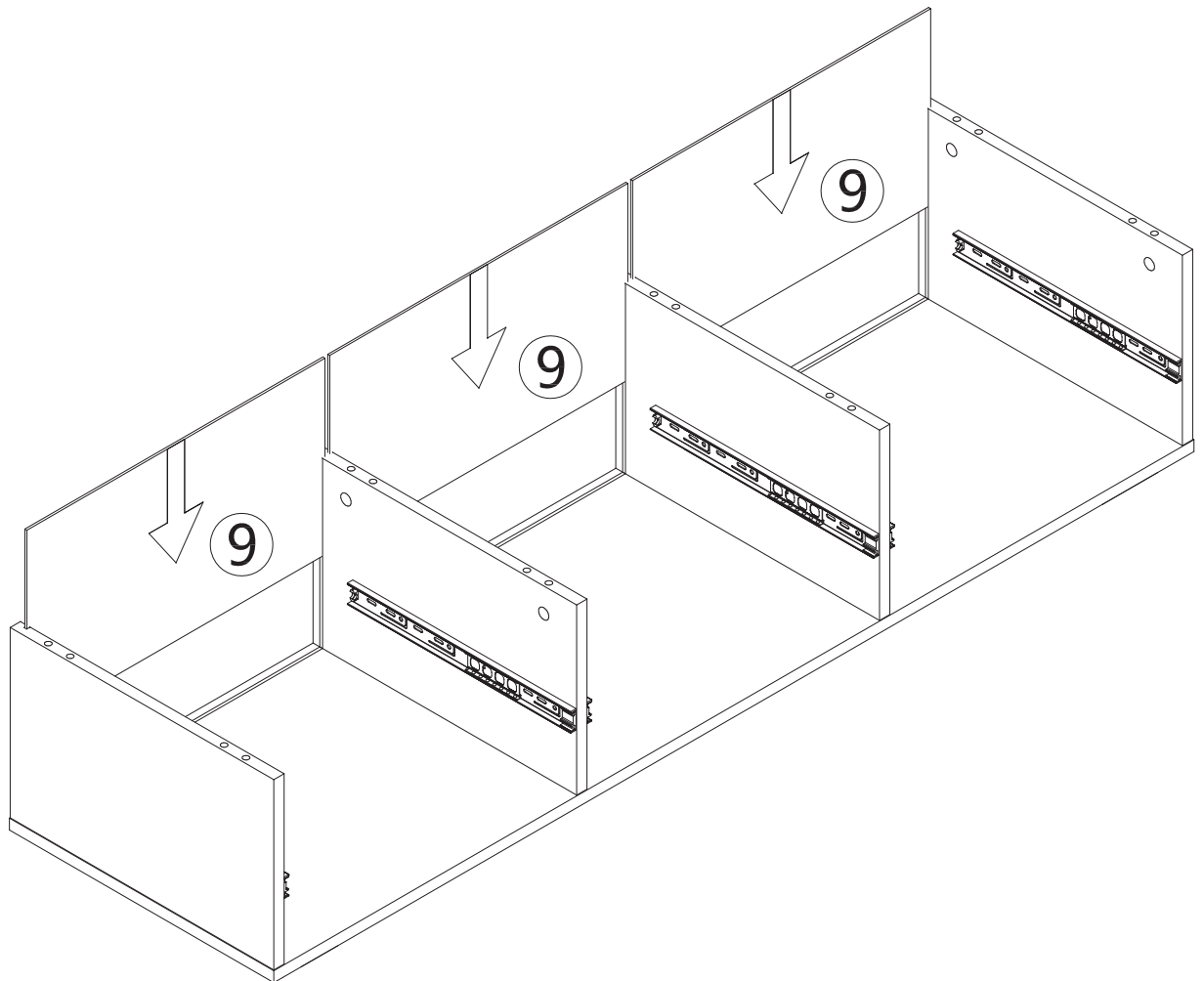


K x 6
E x 12

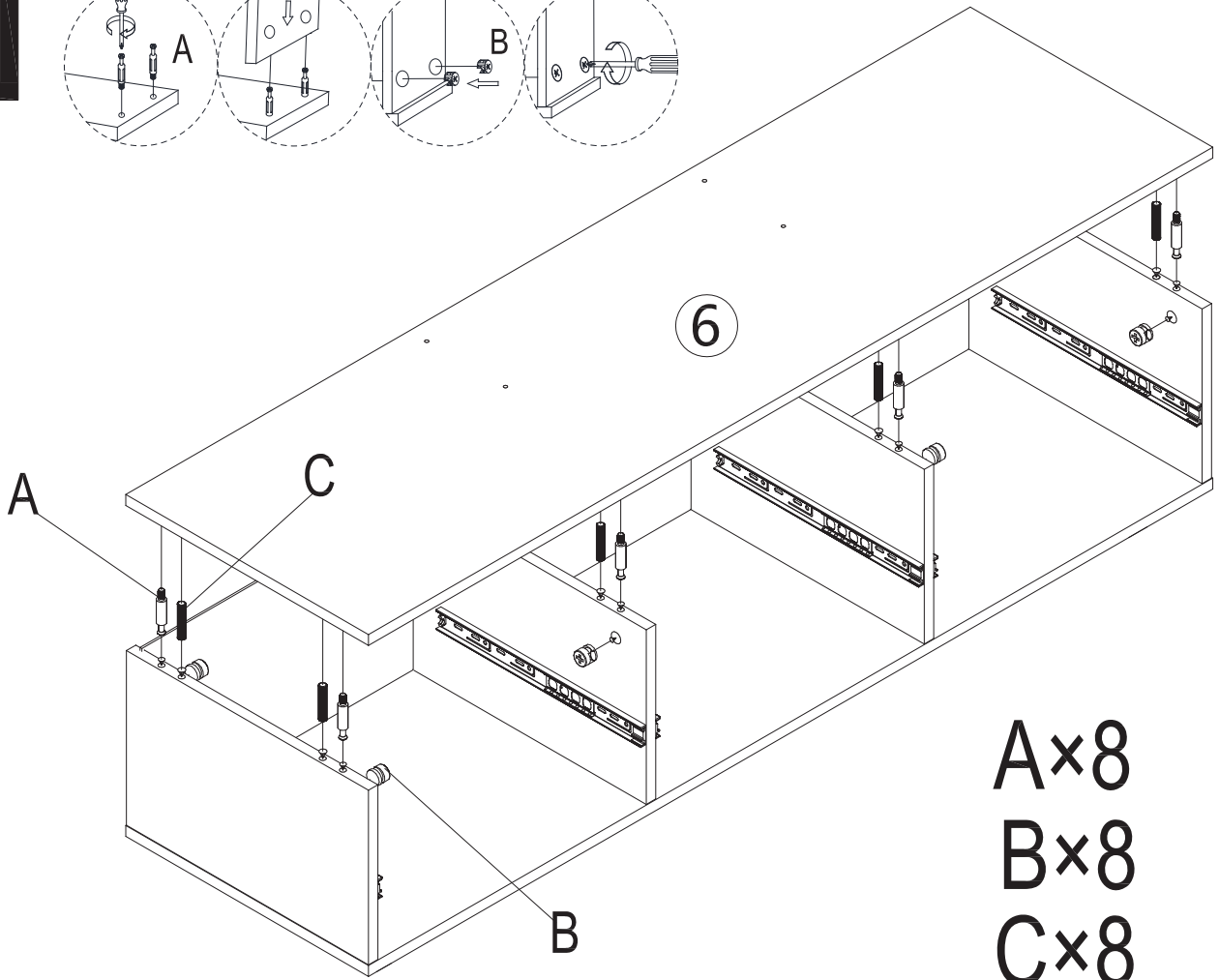
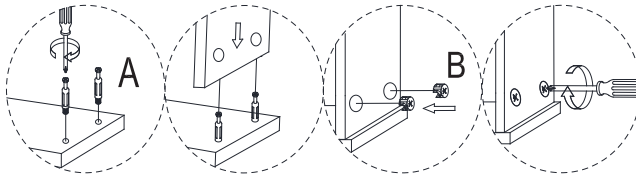
5



6

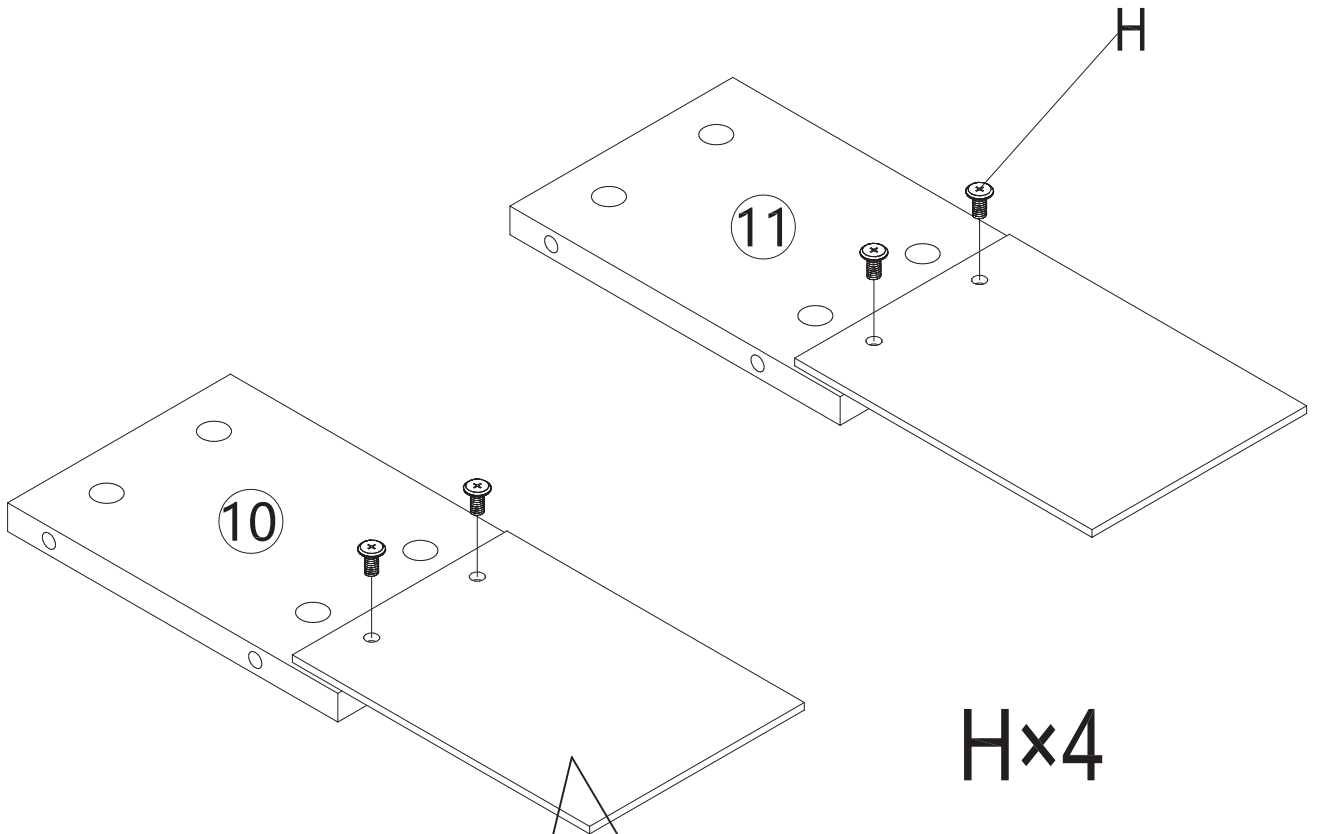


7



A×8
B×8
C×8

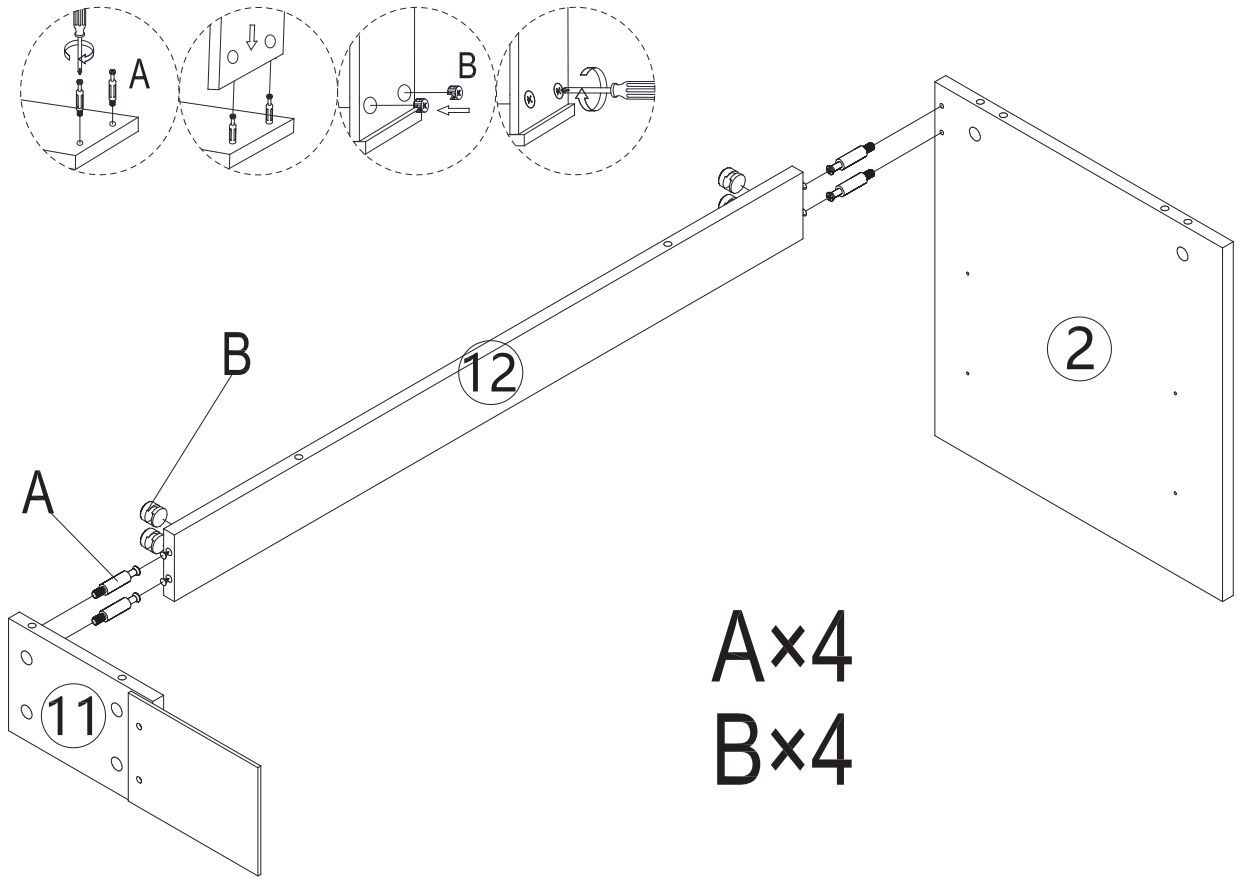
8



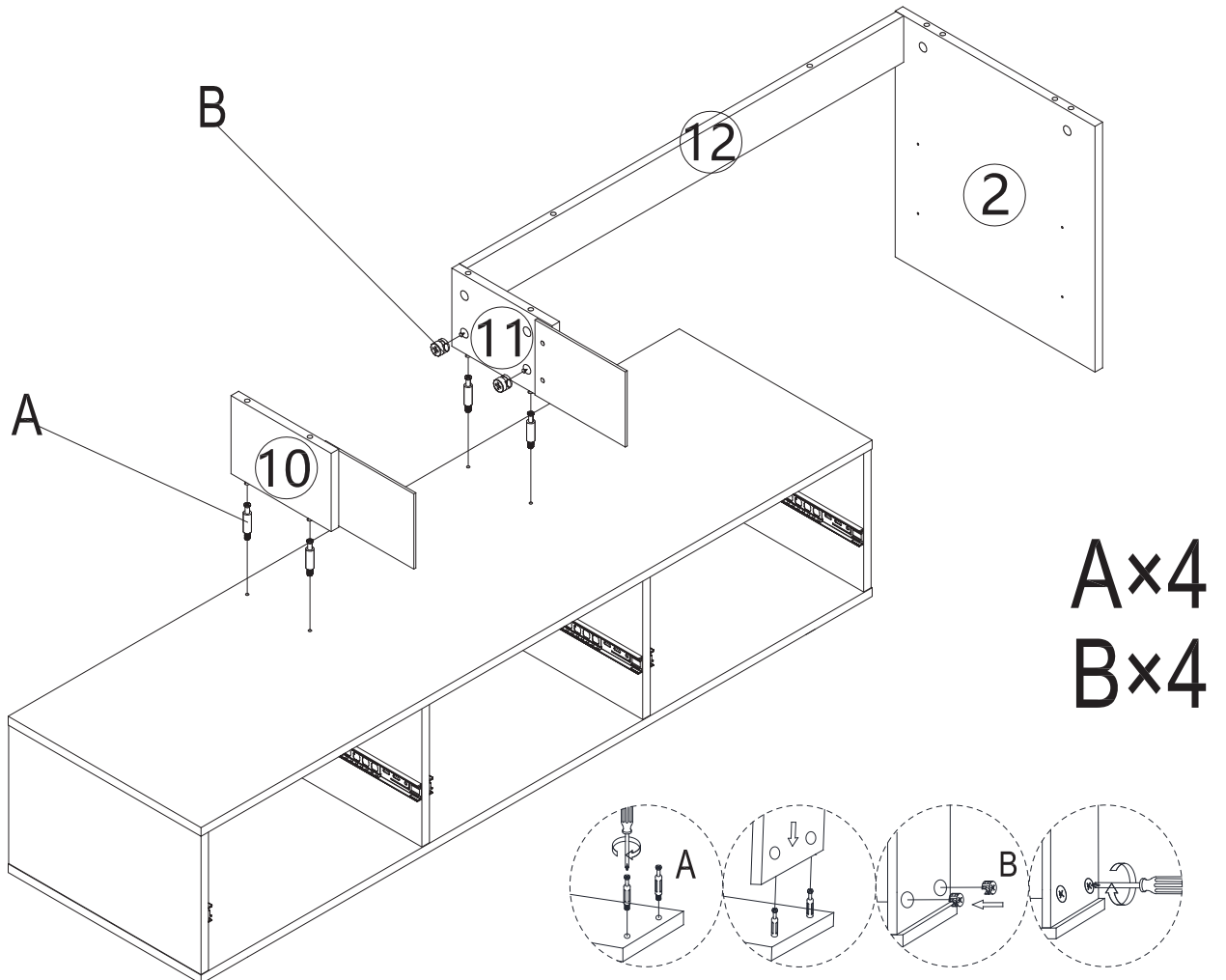
H×4

Remove the protective paper on both sides before assemble .

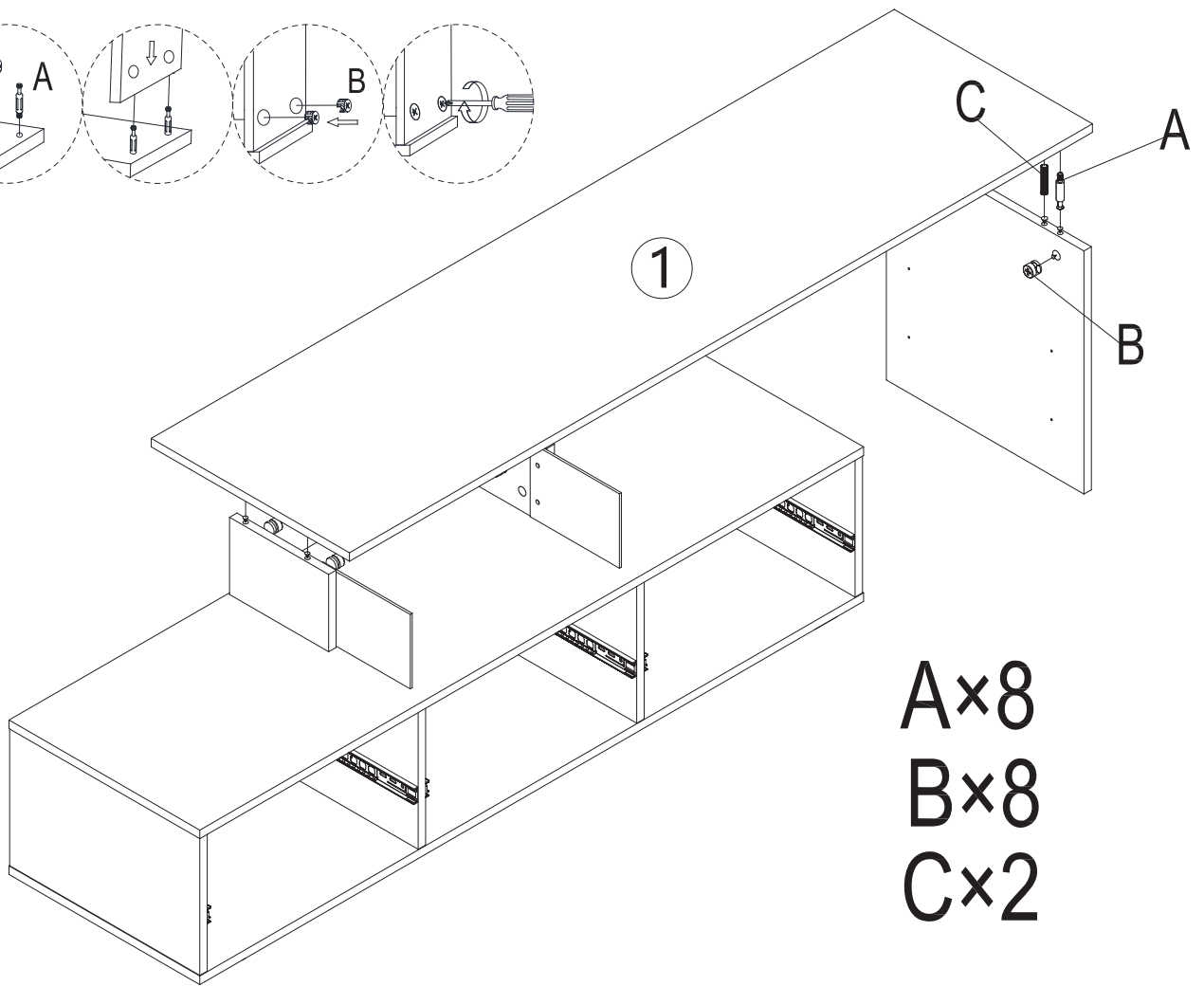
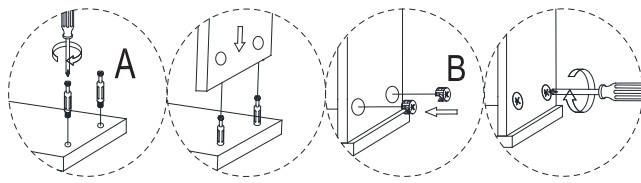
9



10

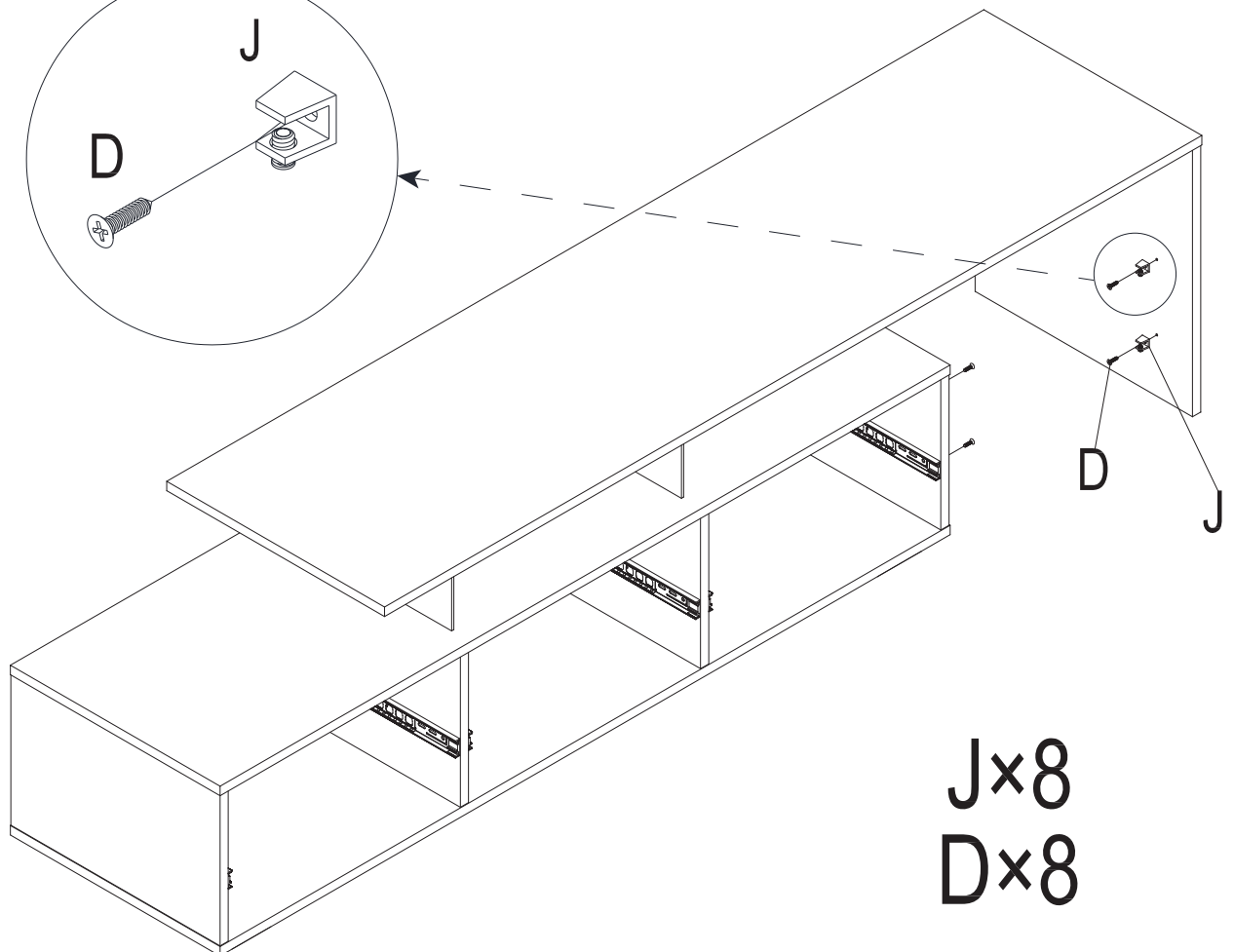
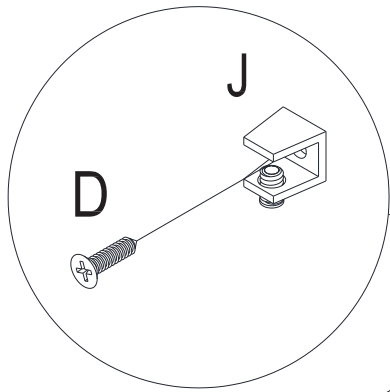


11



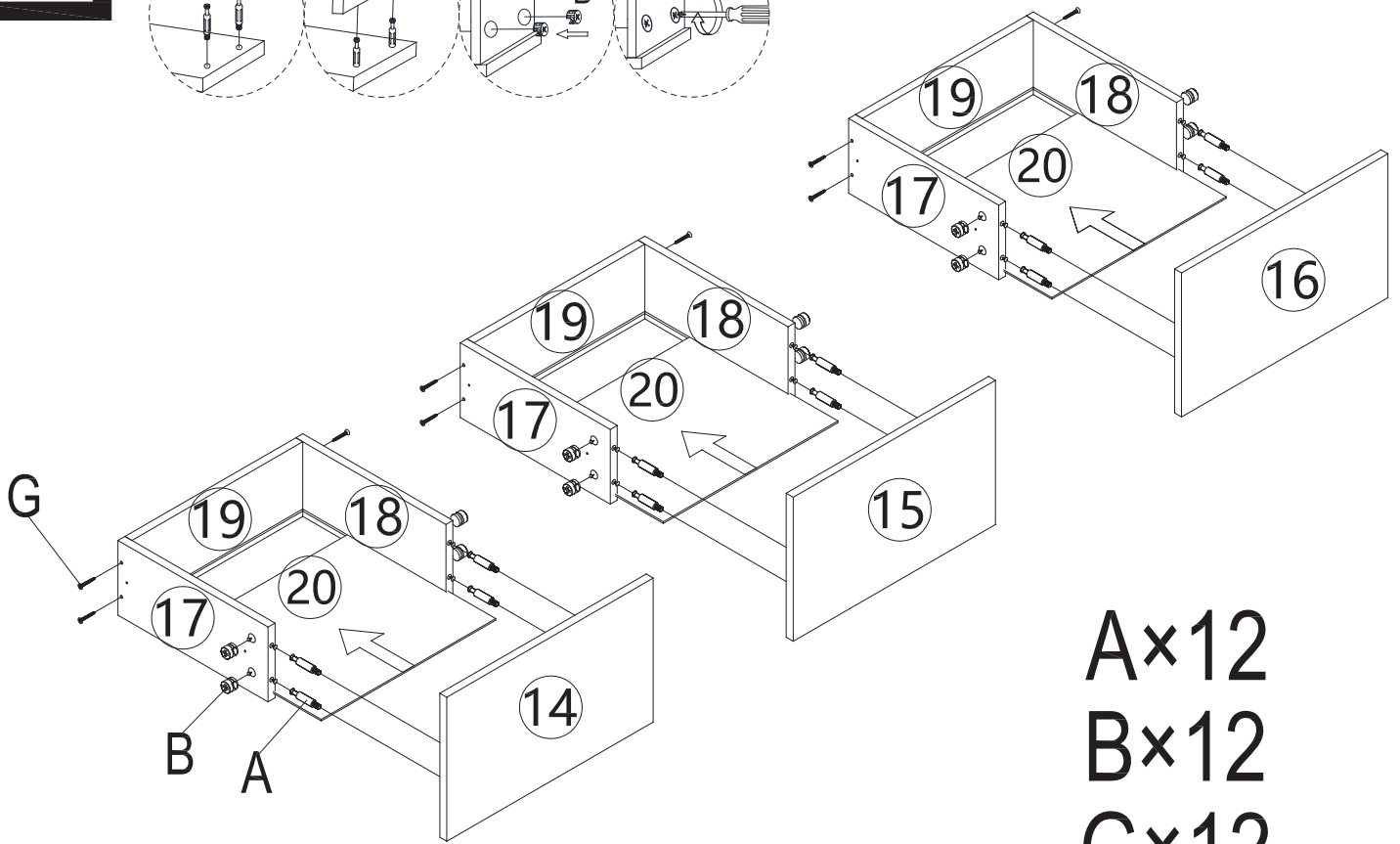
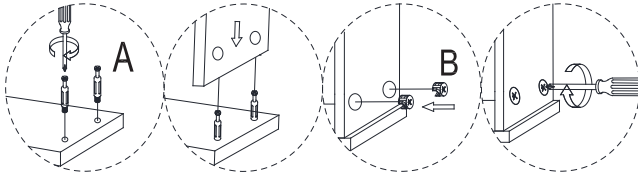
A×8
B×8
C×2

12



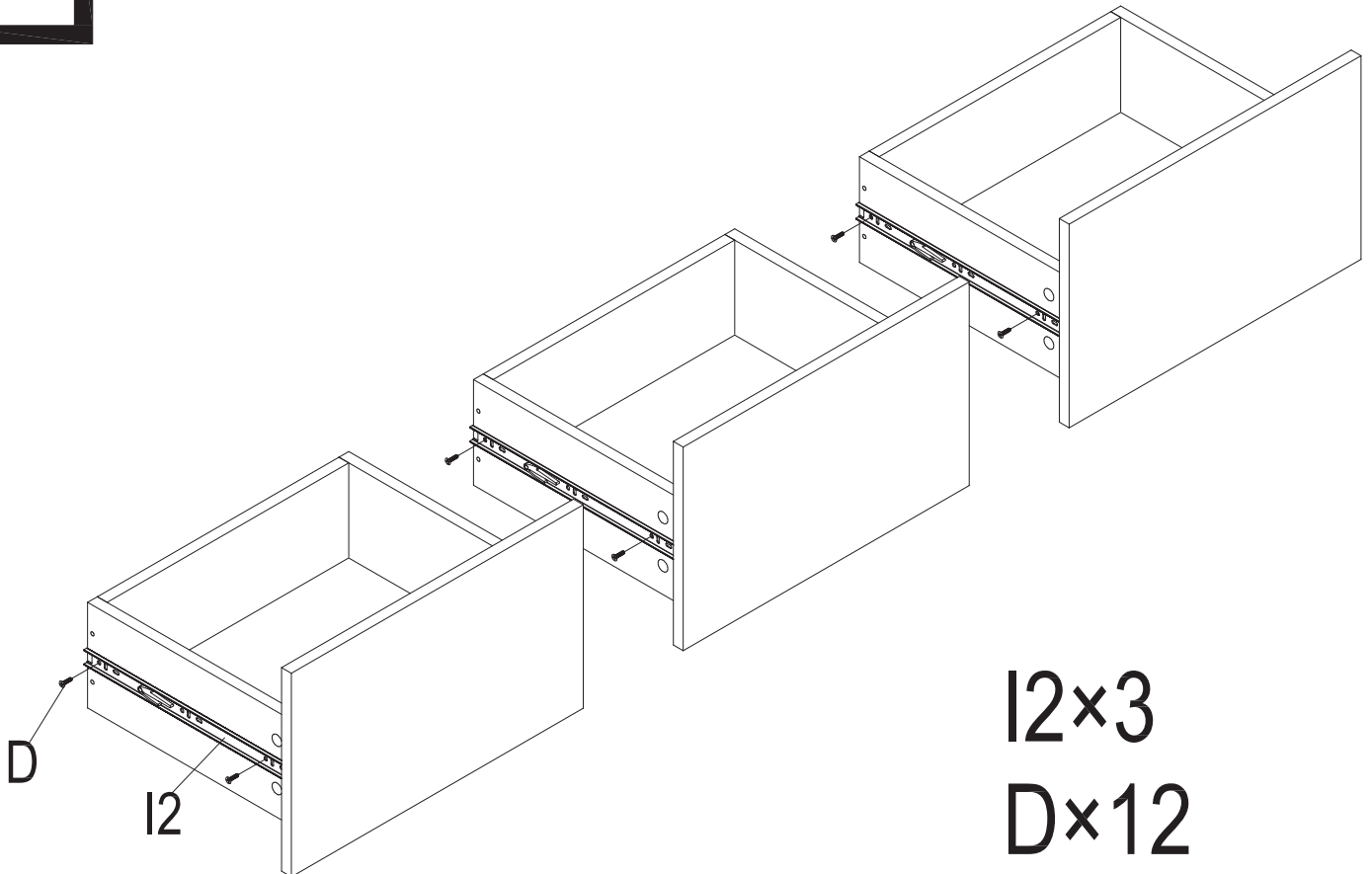
J×8
D×8

13



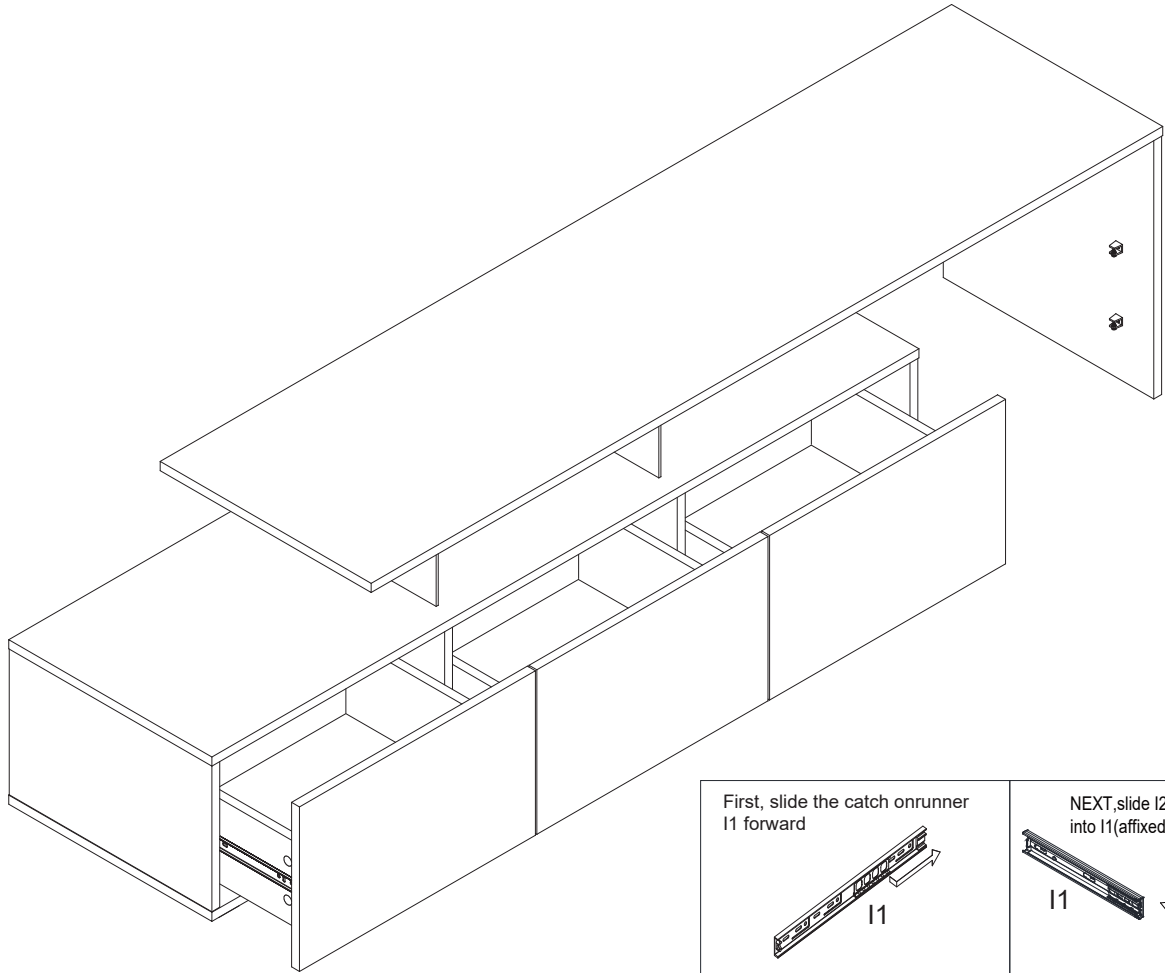
A×12
B×12
G×12

14



12×3
D×12

15



16

