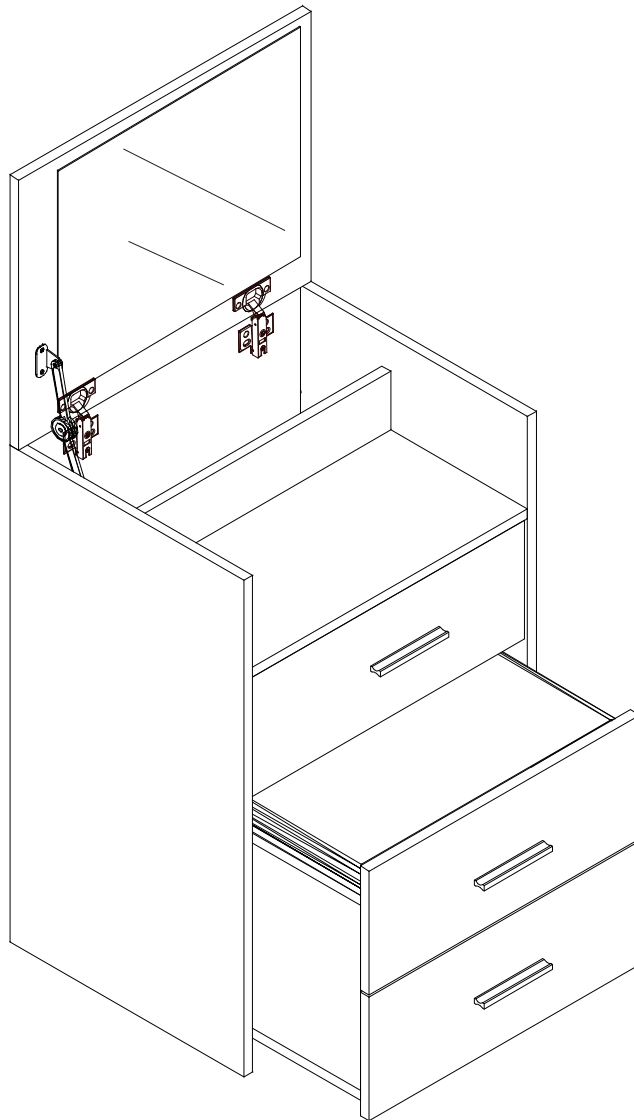


The warning sticker on the furniture is a mandatory requirement in Australia, and it can be removed by wet cloth.



ASSEMBLY INSTRUCTIONS

FURNI-L-DRESS04-BS-WH INSTRUCTIONS

1. Assembly should only be carried out by an adult.
2. Check periodically that all parts are firmly fixed to ensure safe use.
3. Wipe clean only.



ASSEMBLY CHECKLIST



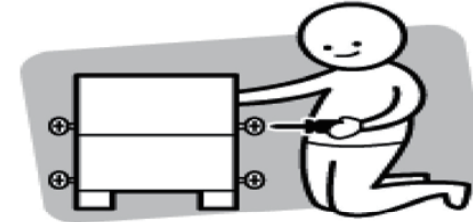
Read instructions carefully before you begin.



Ensure that you have all the required tools.
Do not use power tools.



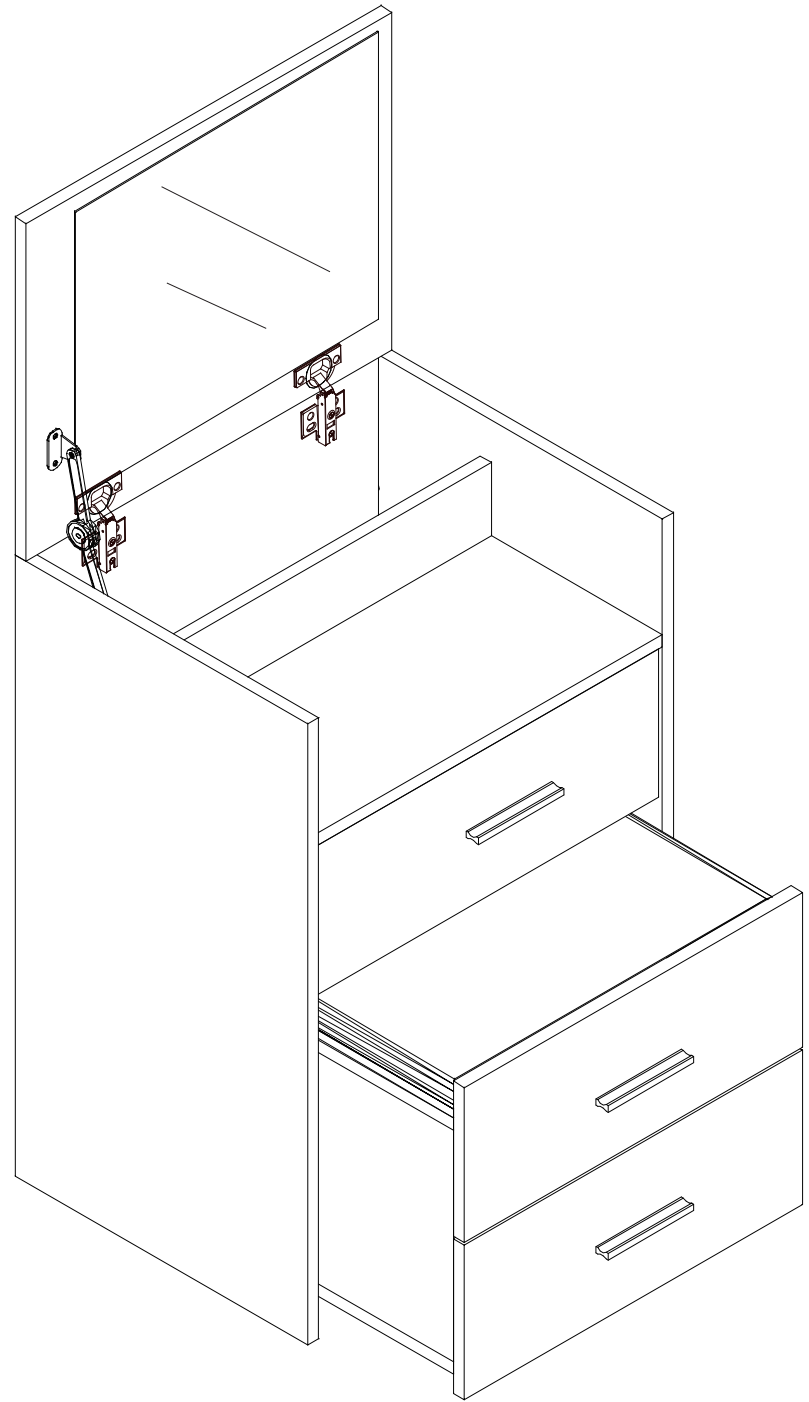
Identify and lay out all the parts before you begin assembly.

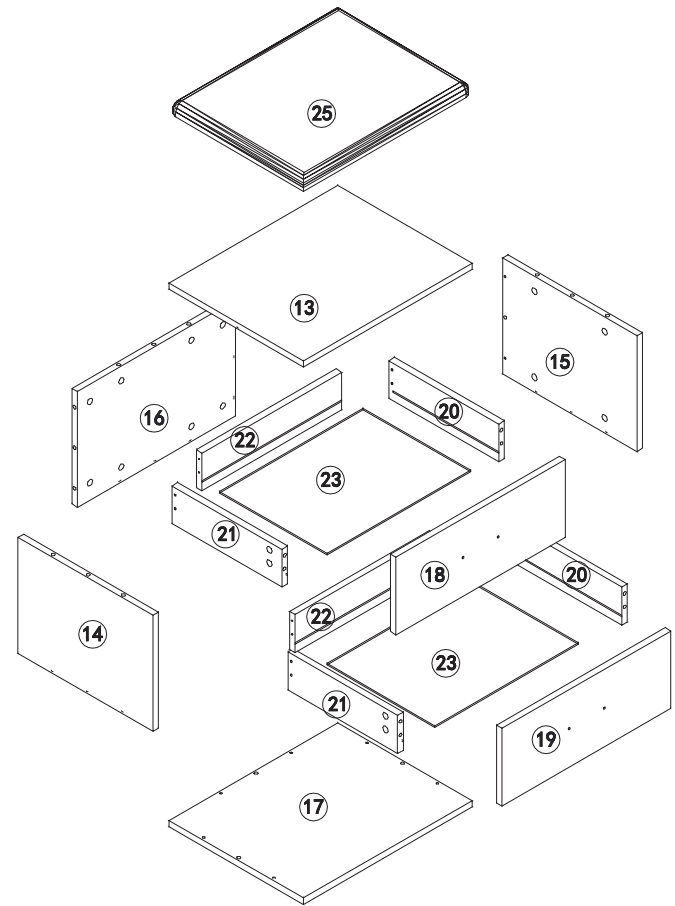
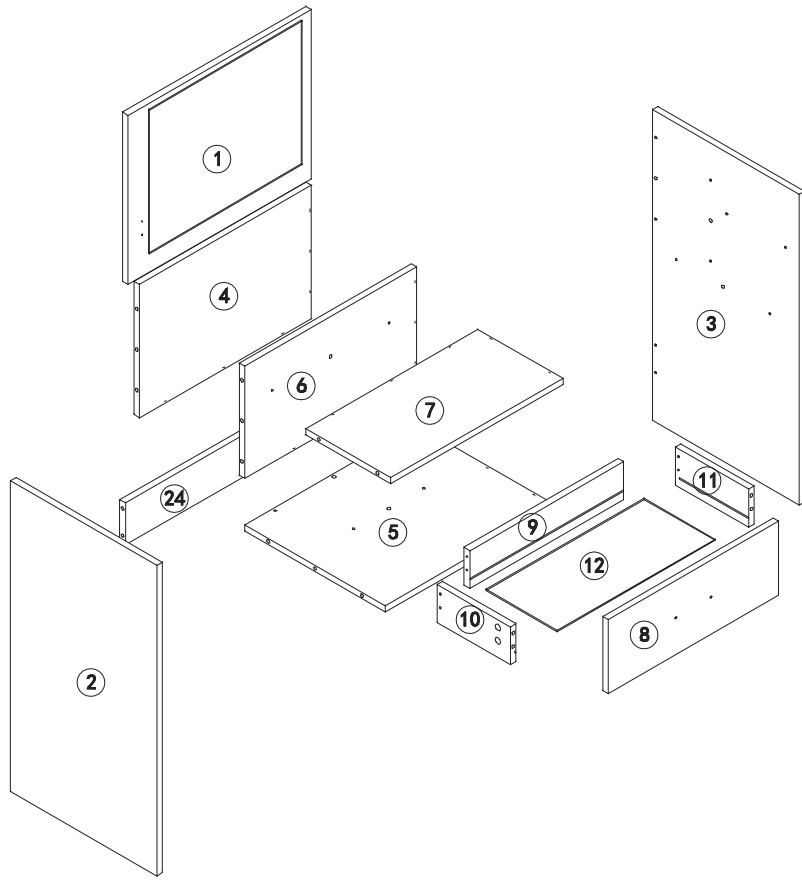









Do not fully tighten all screws until the step or process has finished.

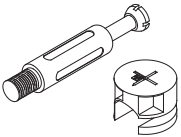
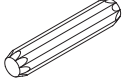
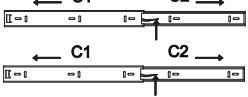
USEFUL TIPS

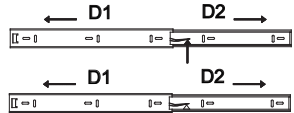
1. Never use power tools. They may damage your parts or hardware if used incorrectly.
2. The most common mistakes made during assembly are using the wrong hardware or getting parts back to front.
3. Always assemble product on a soft surface (such as a carpet or cardboard) to avoid scratches or damage on the product surfaces.

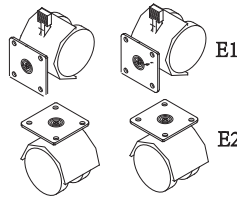


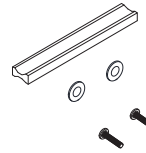


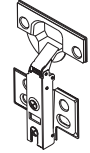
J	21PCS	K	52PCS	L	1PCS
					
35*3.5mm		14*3.5mm			
					

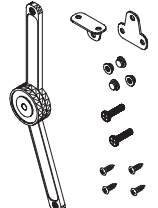
A	48PCS	B	14PCS	C	2PCS
					
				200MM	


D	4PCS
	
300MM	

E	4PCS
	

F	3PCS
	

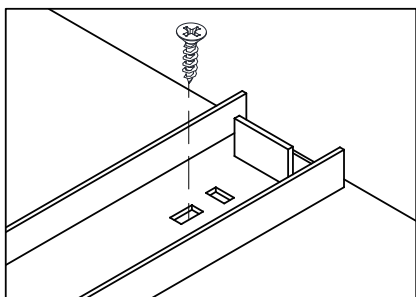
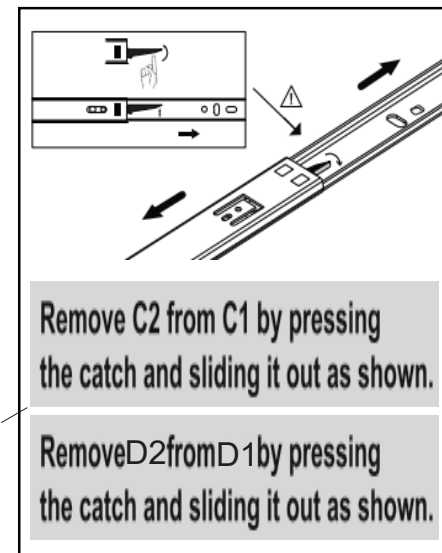
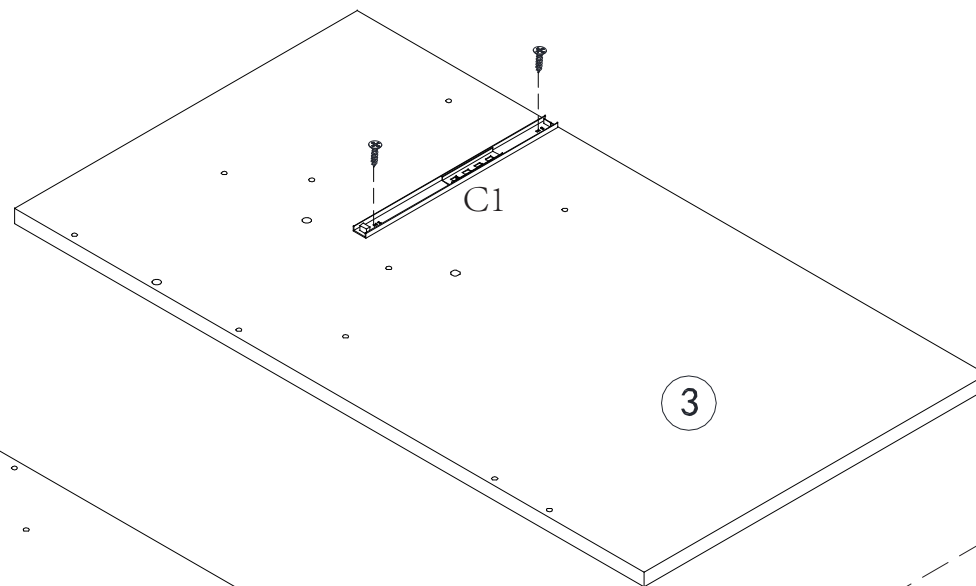
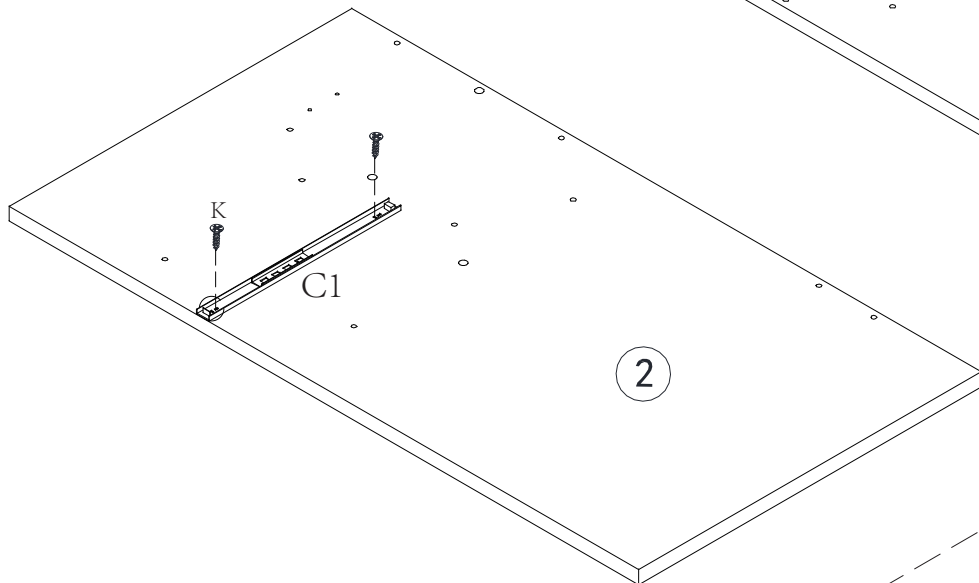
G	2PCS
	

H	1PCS
	

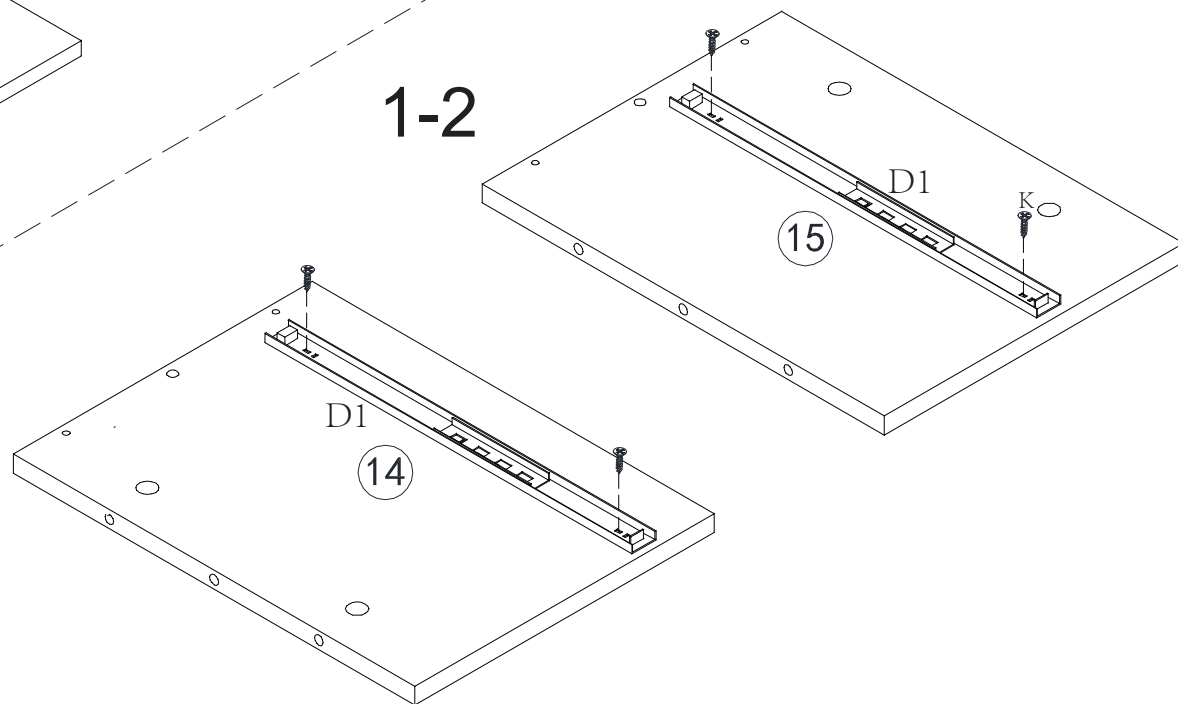
I	4PCS
	

1

1-1



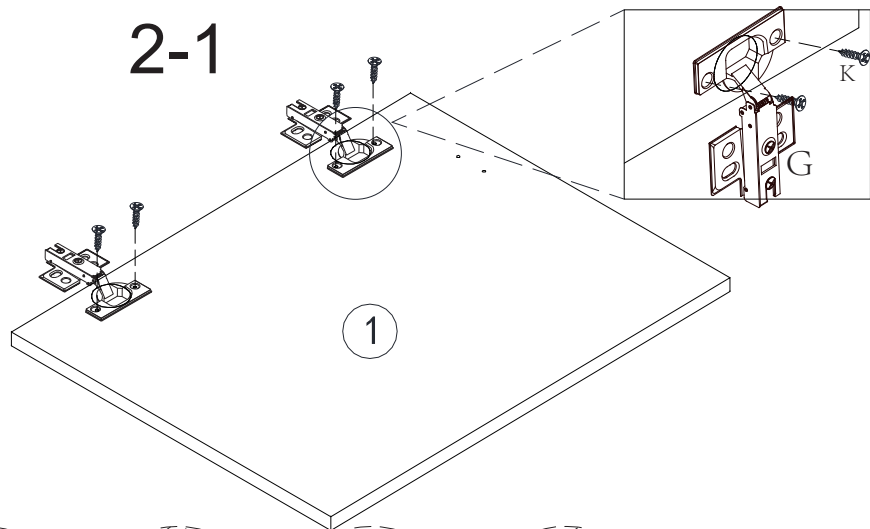
1-2



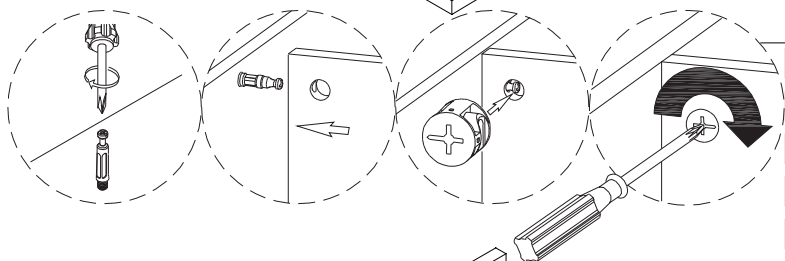
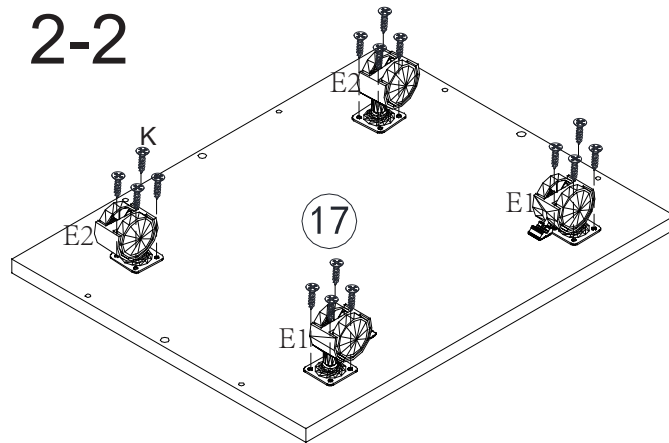
C1x2 D1x2 Kx8

2

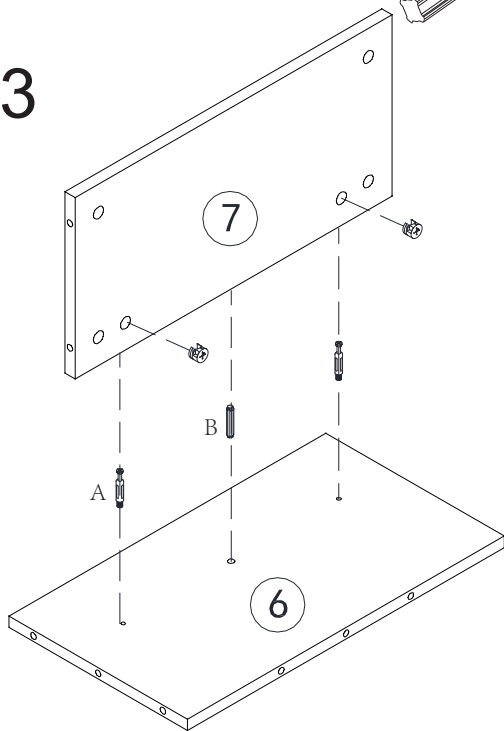
2-1



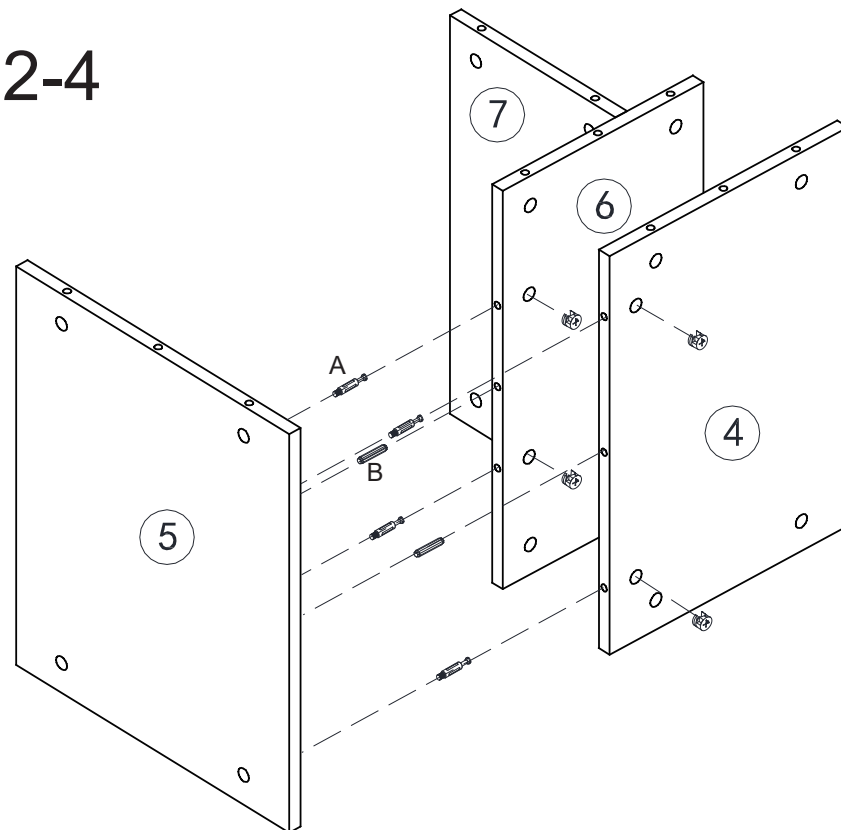
2-2



2-3



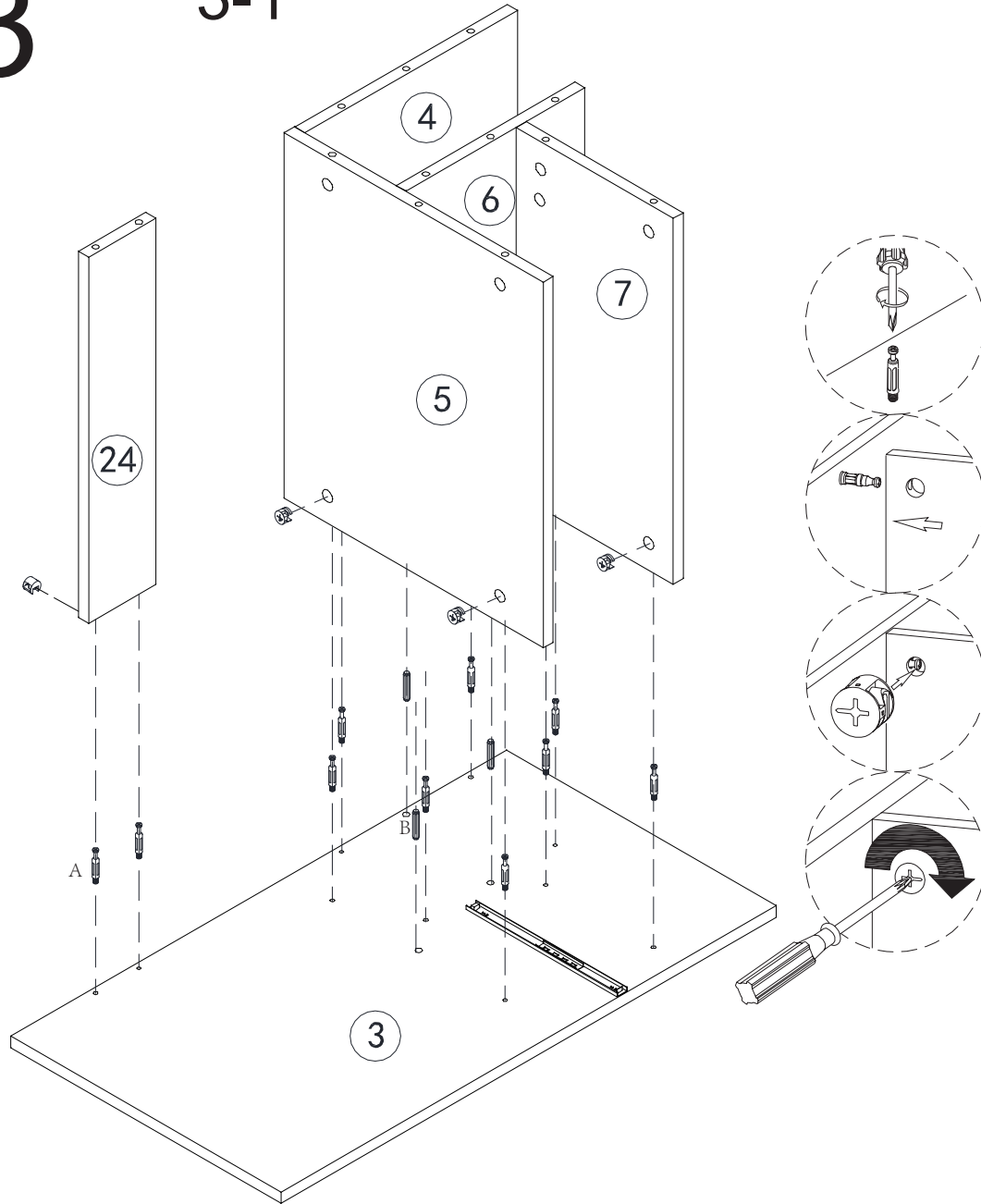
2-4



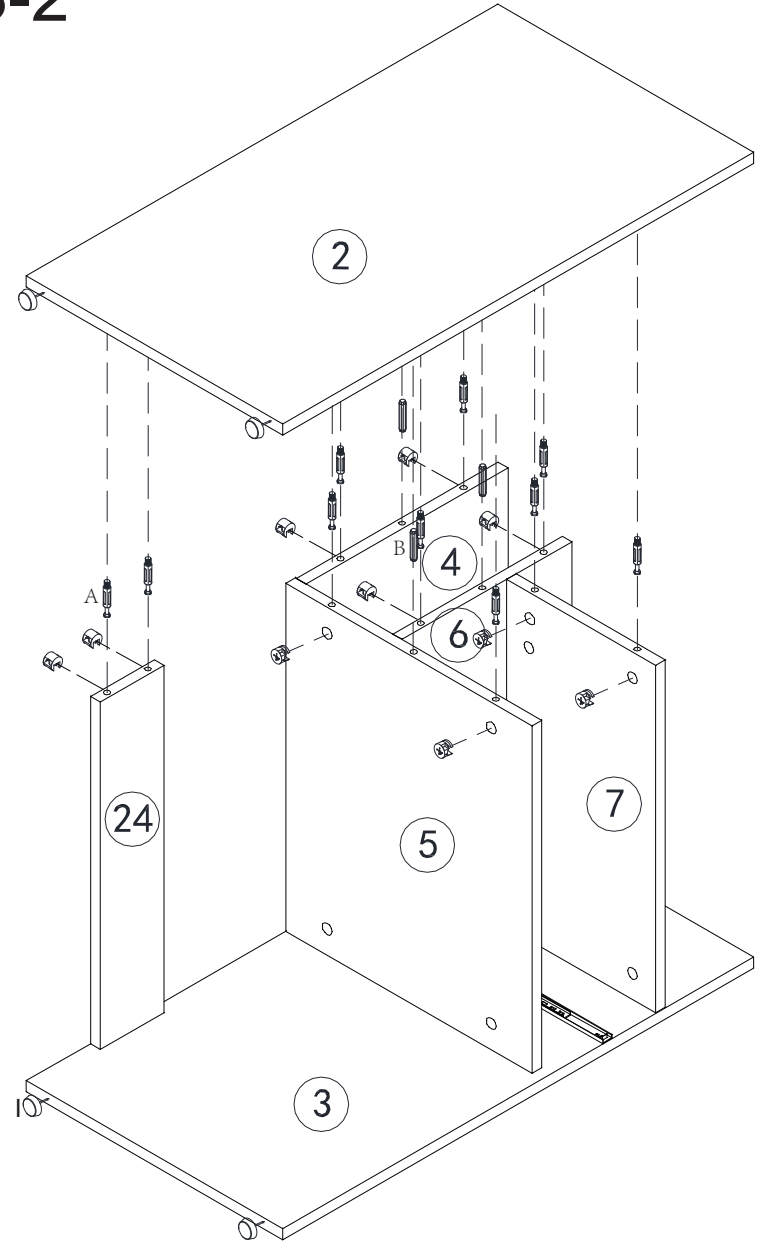
Ax6 Bx3 E1x2 E2x2 Gx2 Kx20

3

3-1



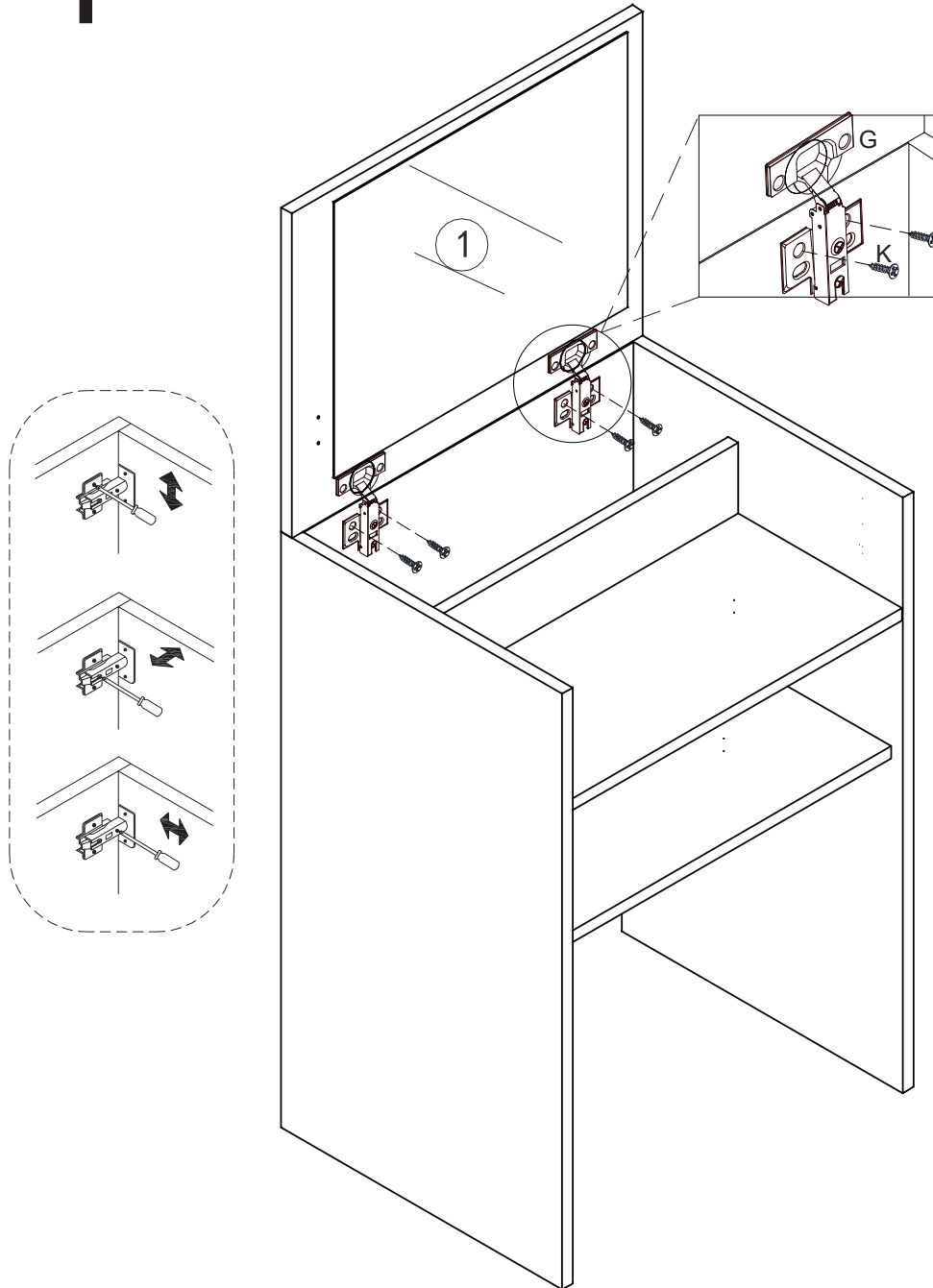
3-2



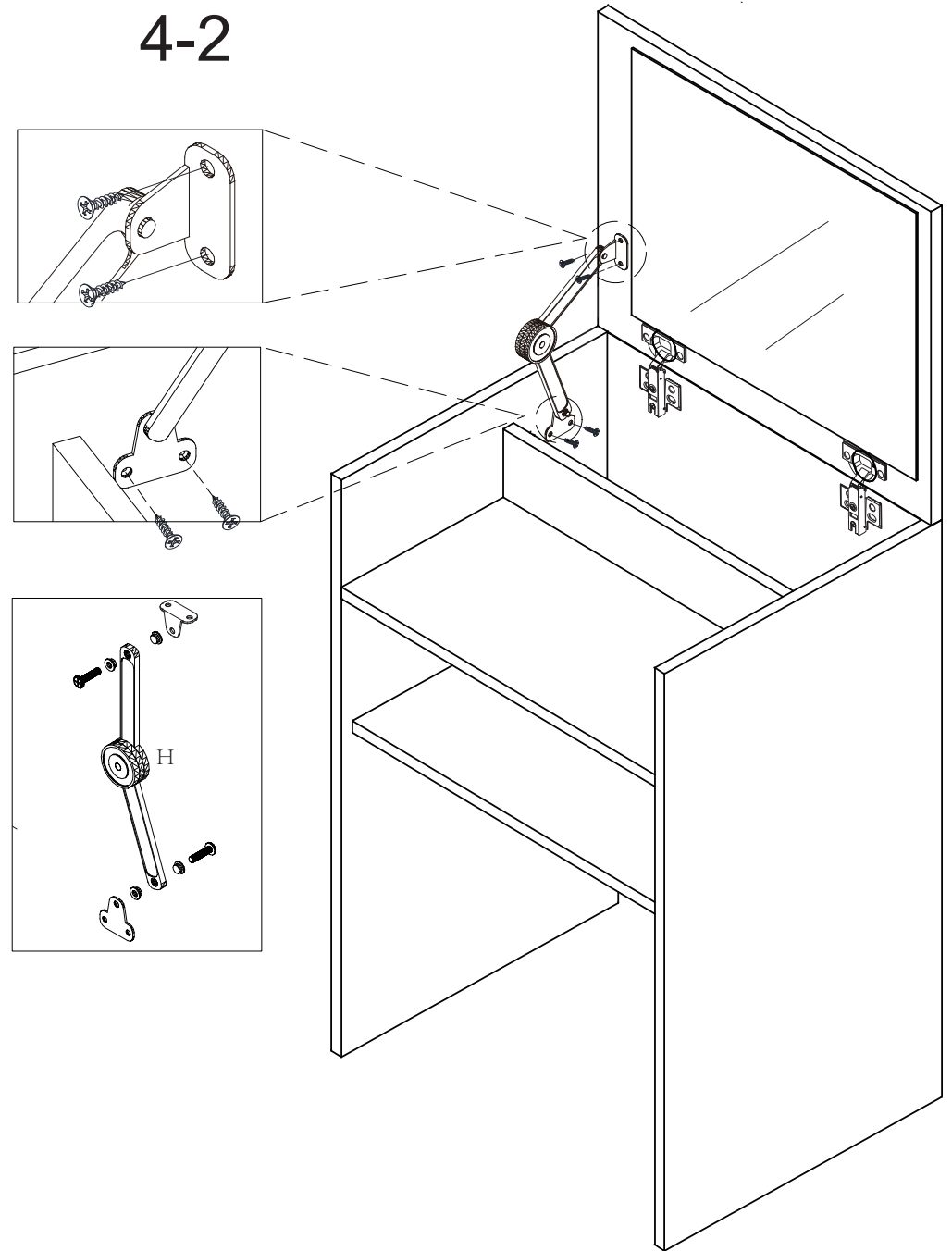
Ax20 Bx6 lx4

4

4-1



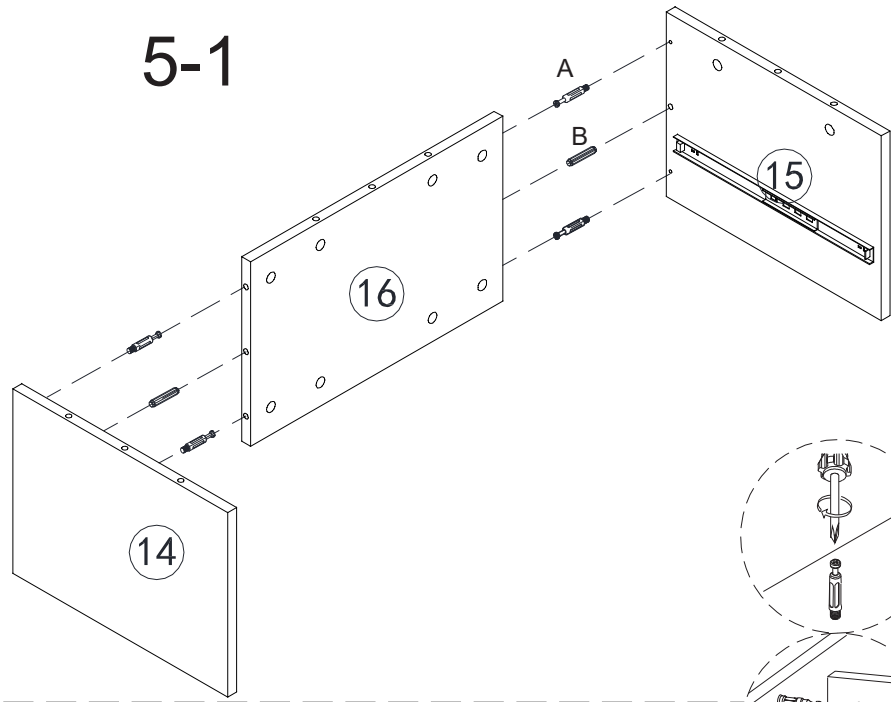
4-2



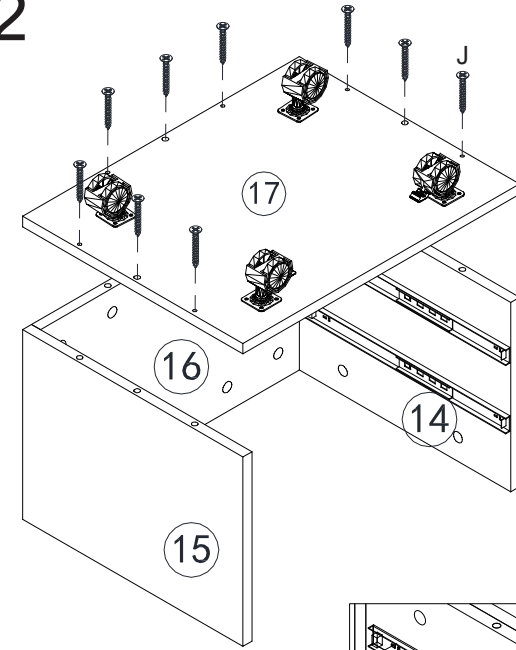
Hx1 Kx4

5

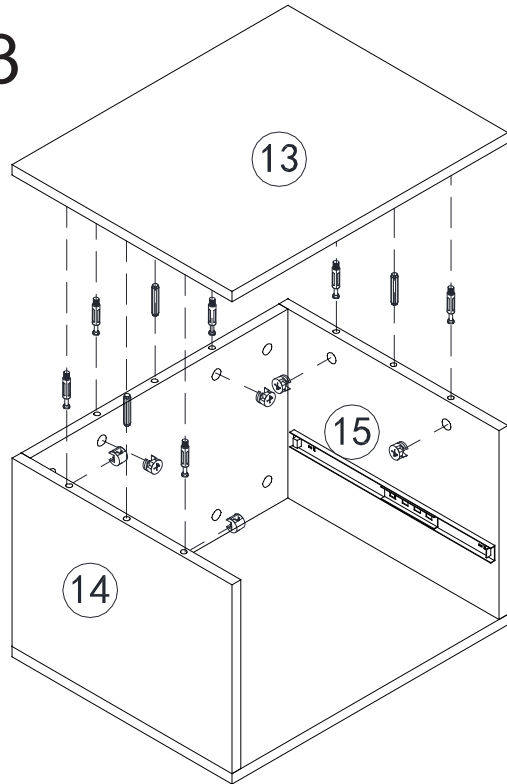
5-1



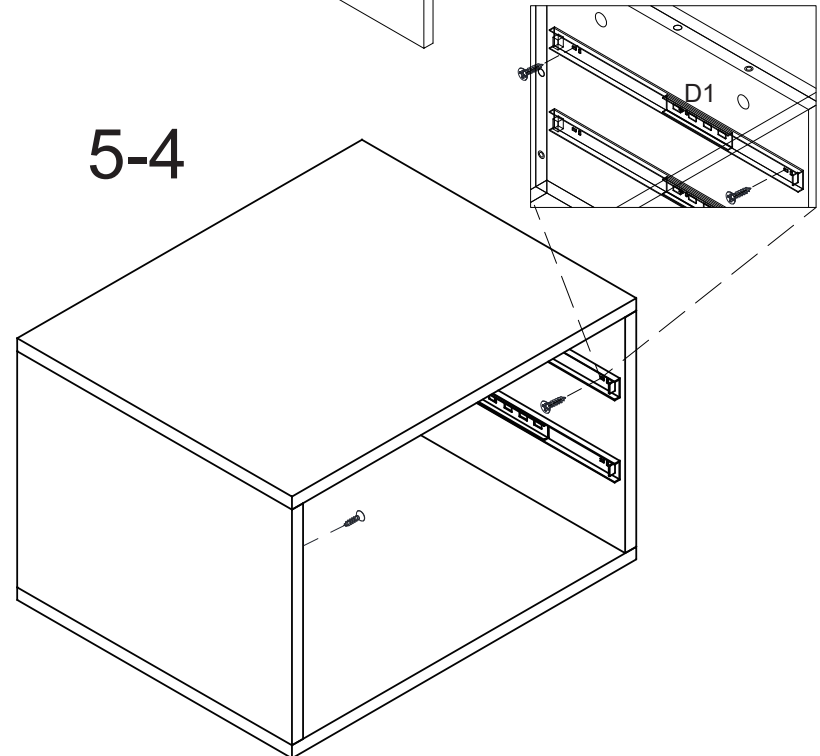
5-2



5-3



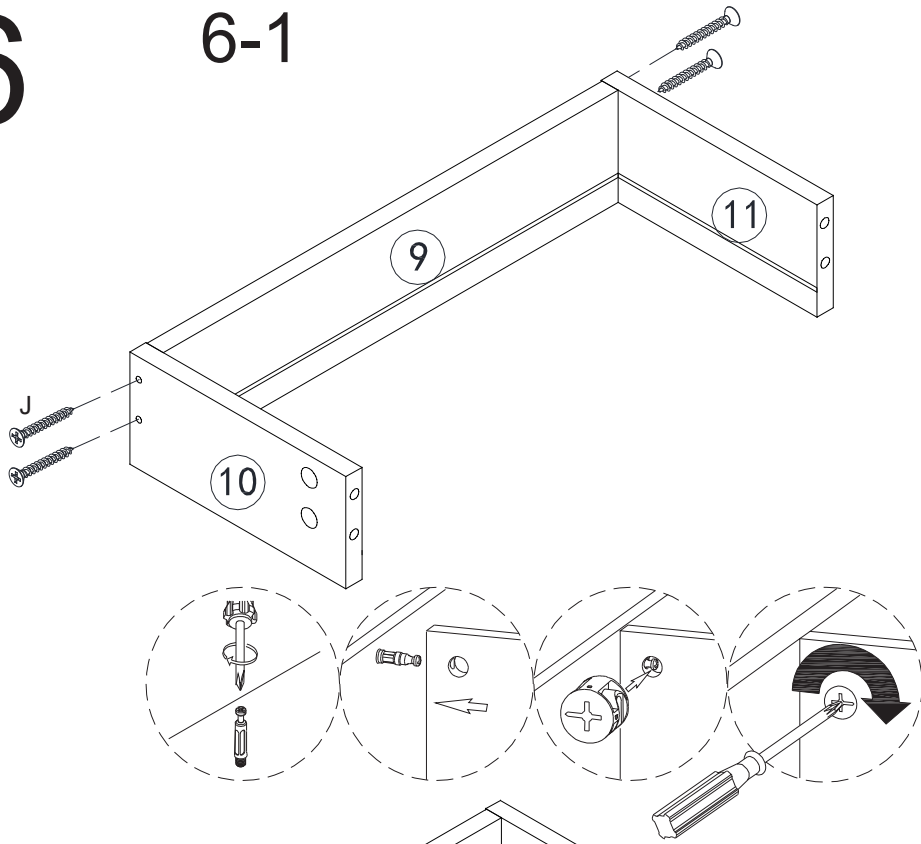
5-4



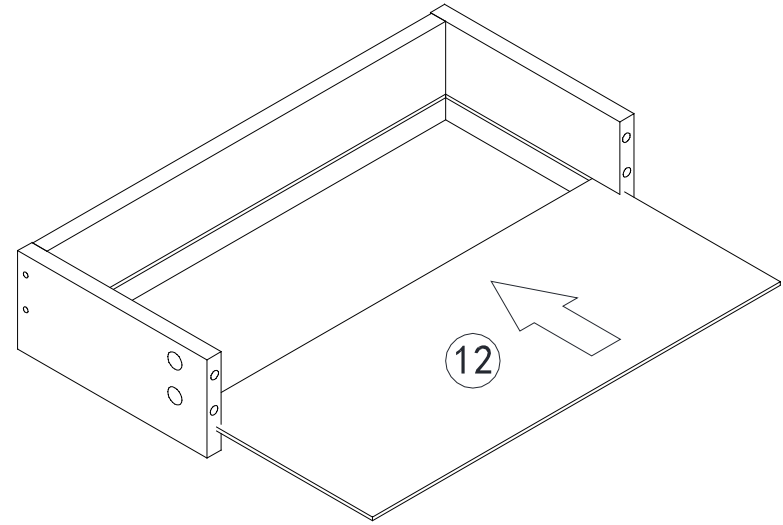
Ax10 Bx5 D1x2 Kx4 Jx9

6

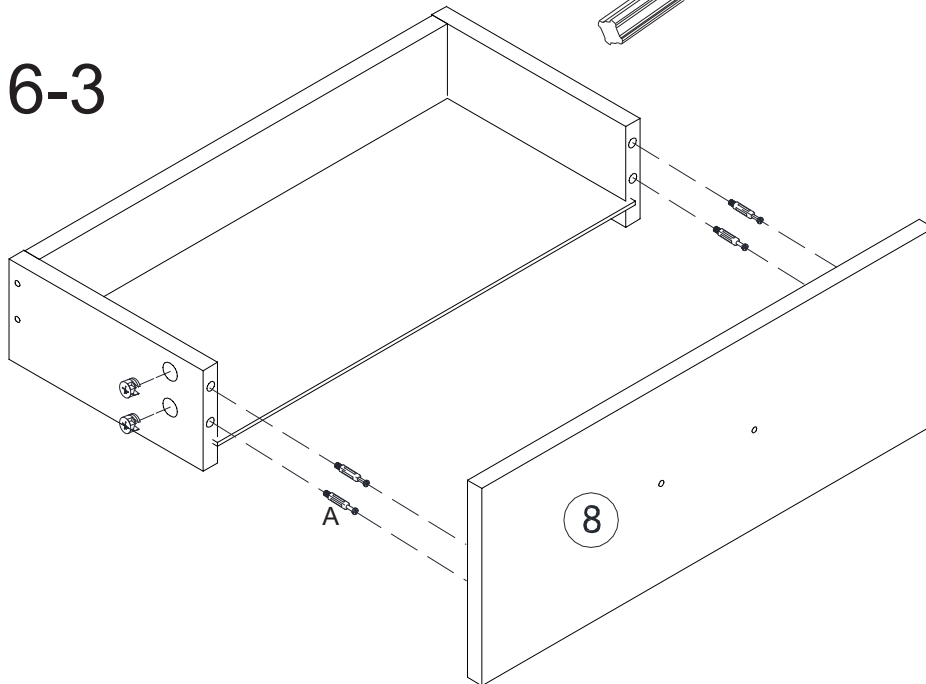
6-1



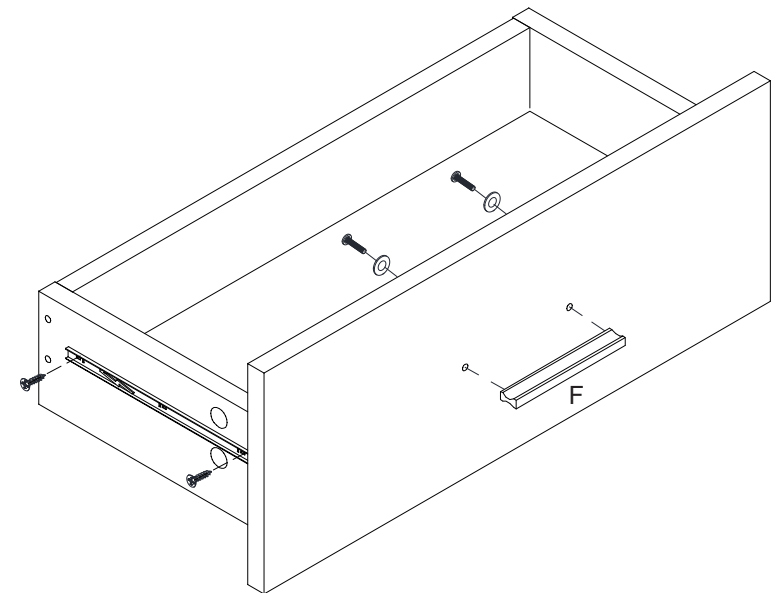
6-2



6-3



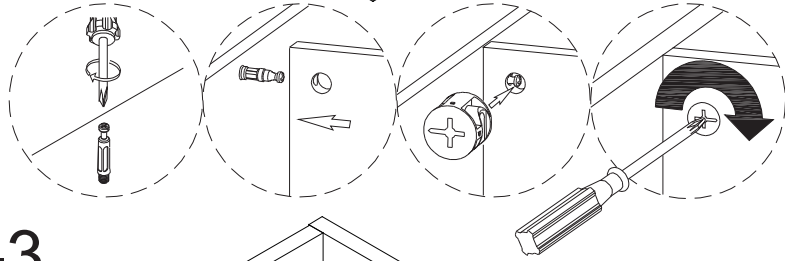
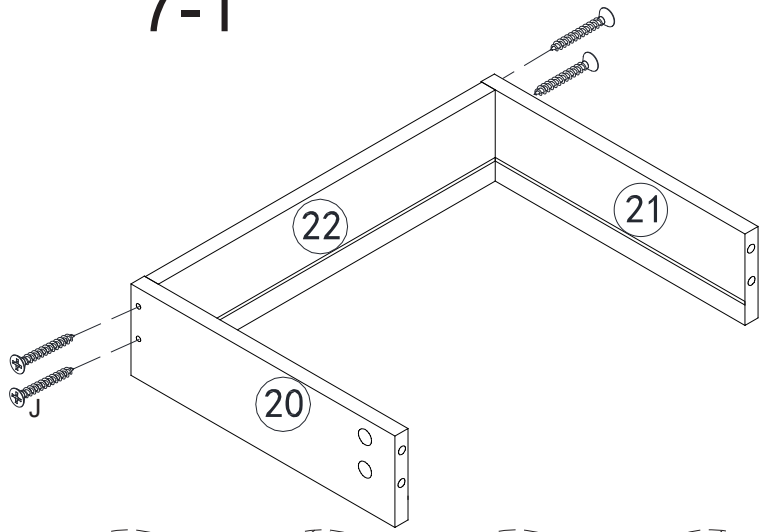
6-4



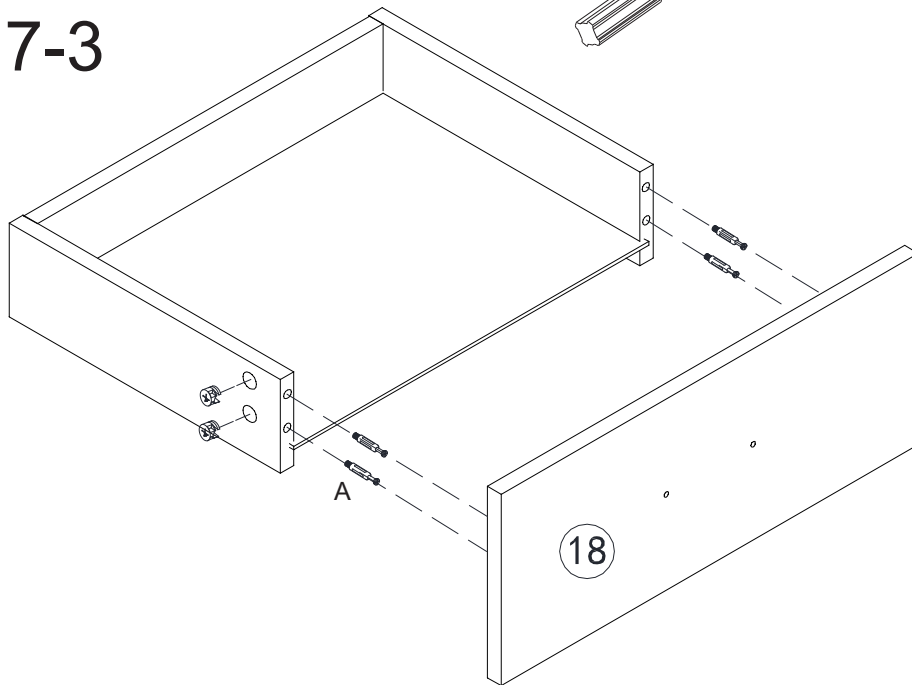
Ax4 C2x2 Fx1 Jx4 Kx4

7

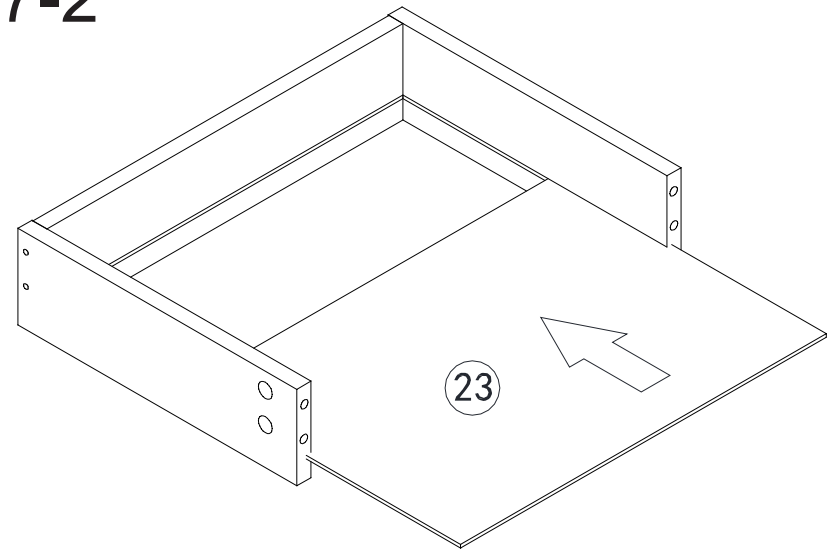
7-1



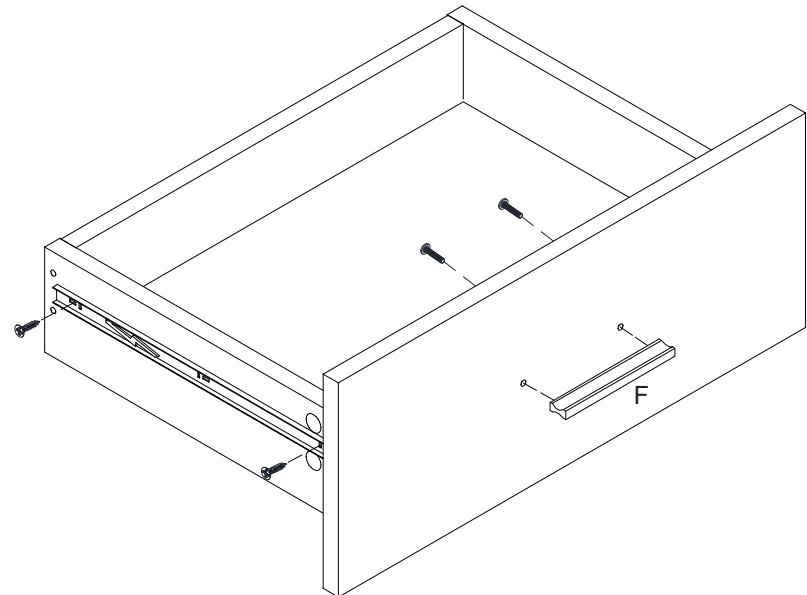
7-3



7-2



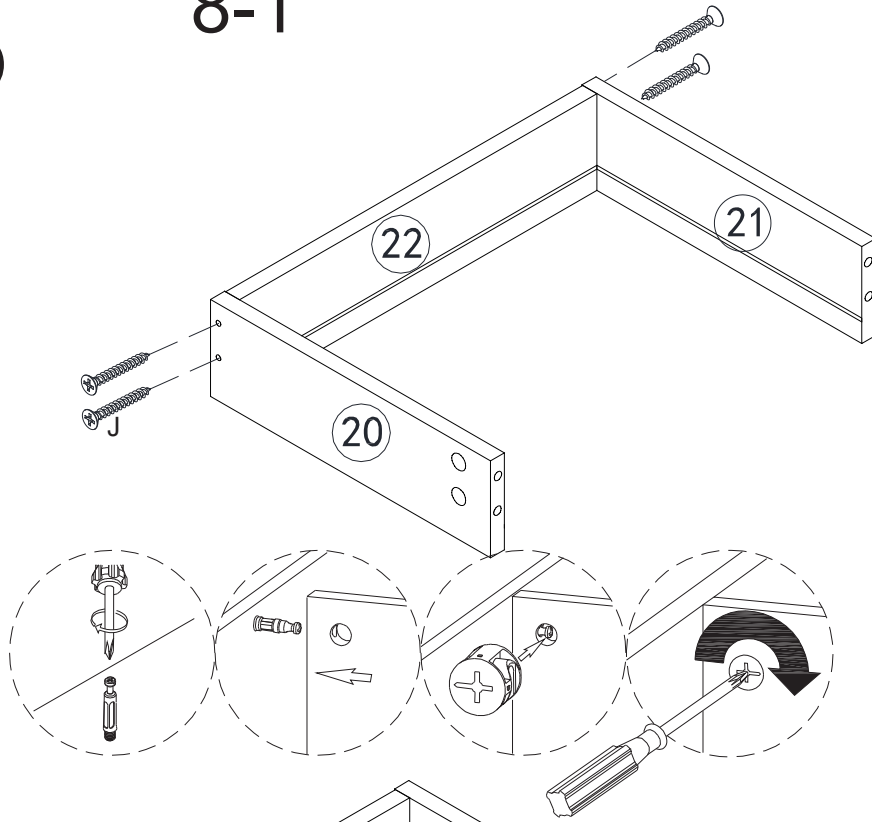
7-4



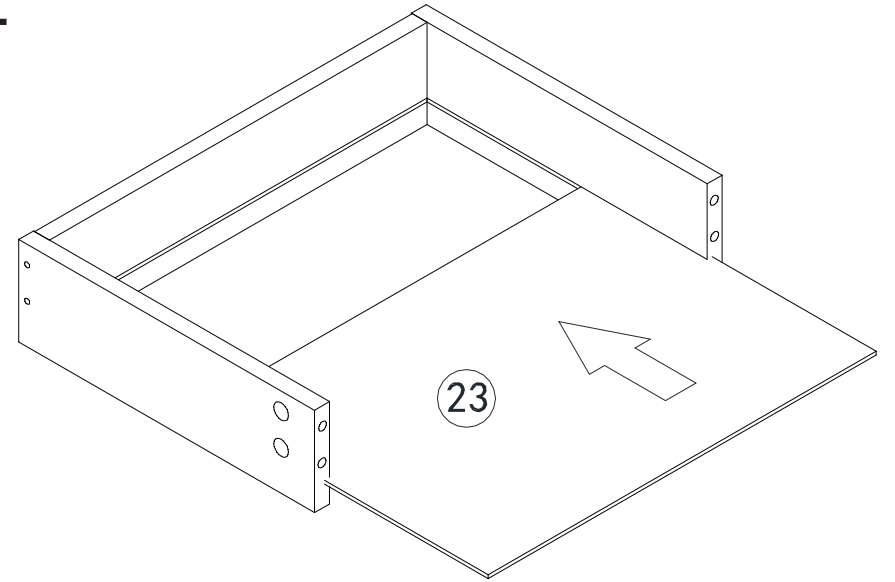
Ax4 D2x2 Fx1 Jx4 Kx4

8

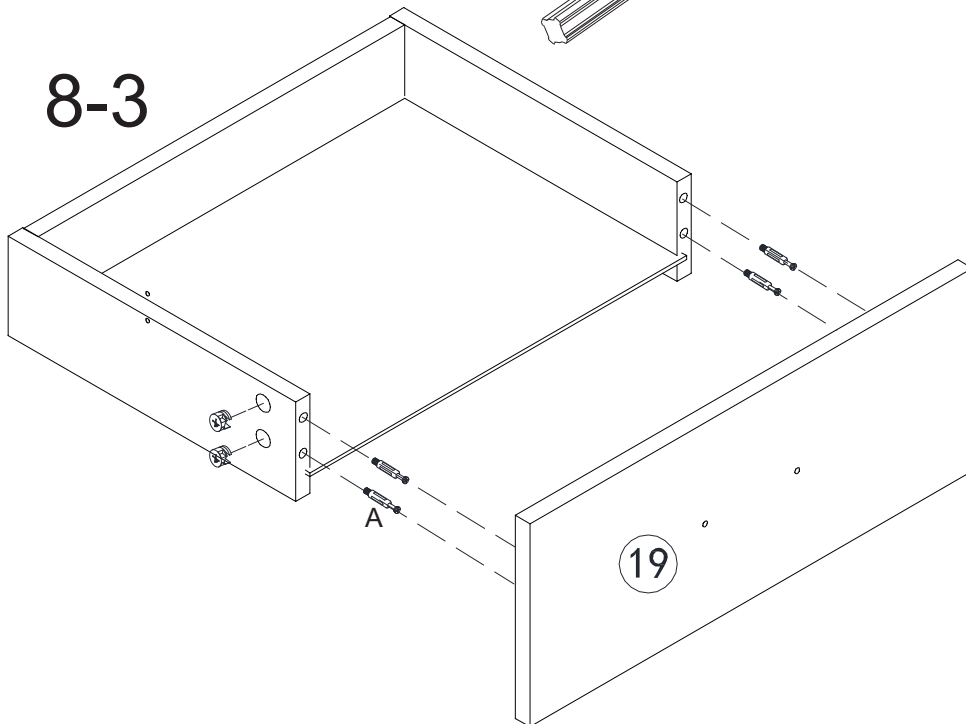
8-1



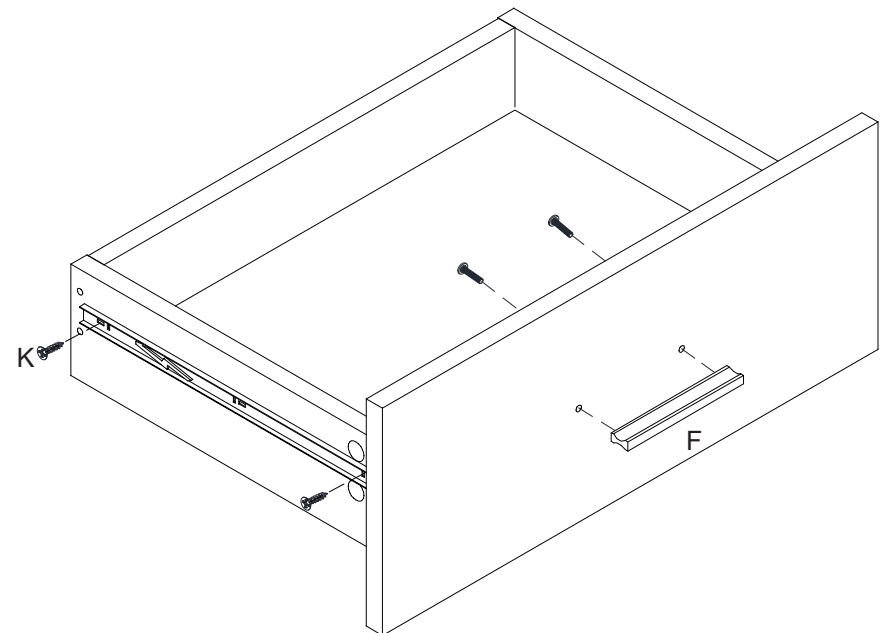
8-2



8-3



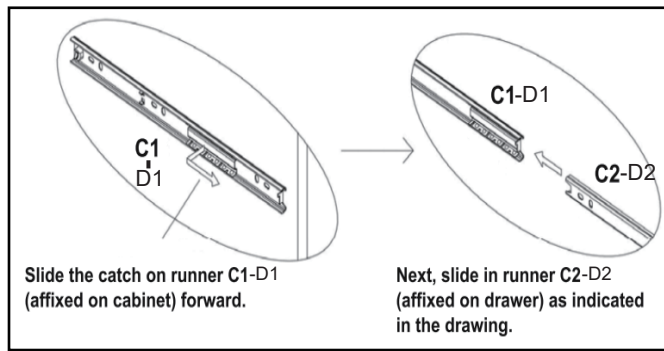
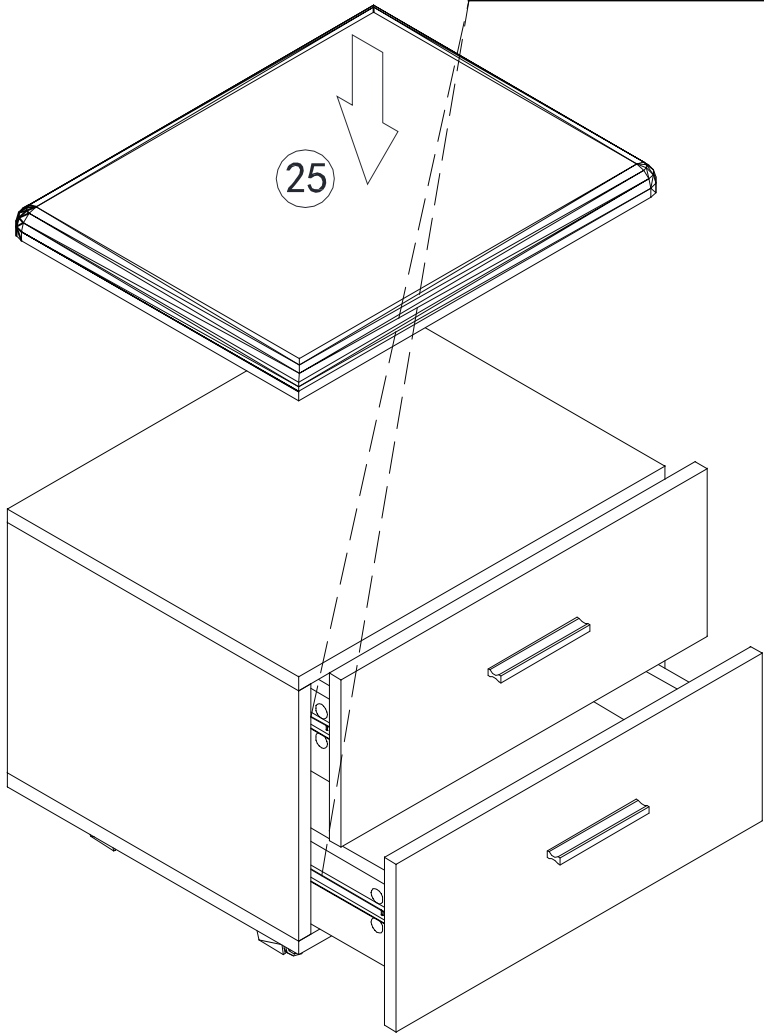
8-4



Ax4 D2x2 Fx1 Jx4 Kx4

9

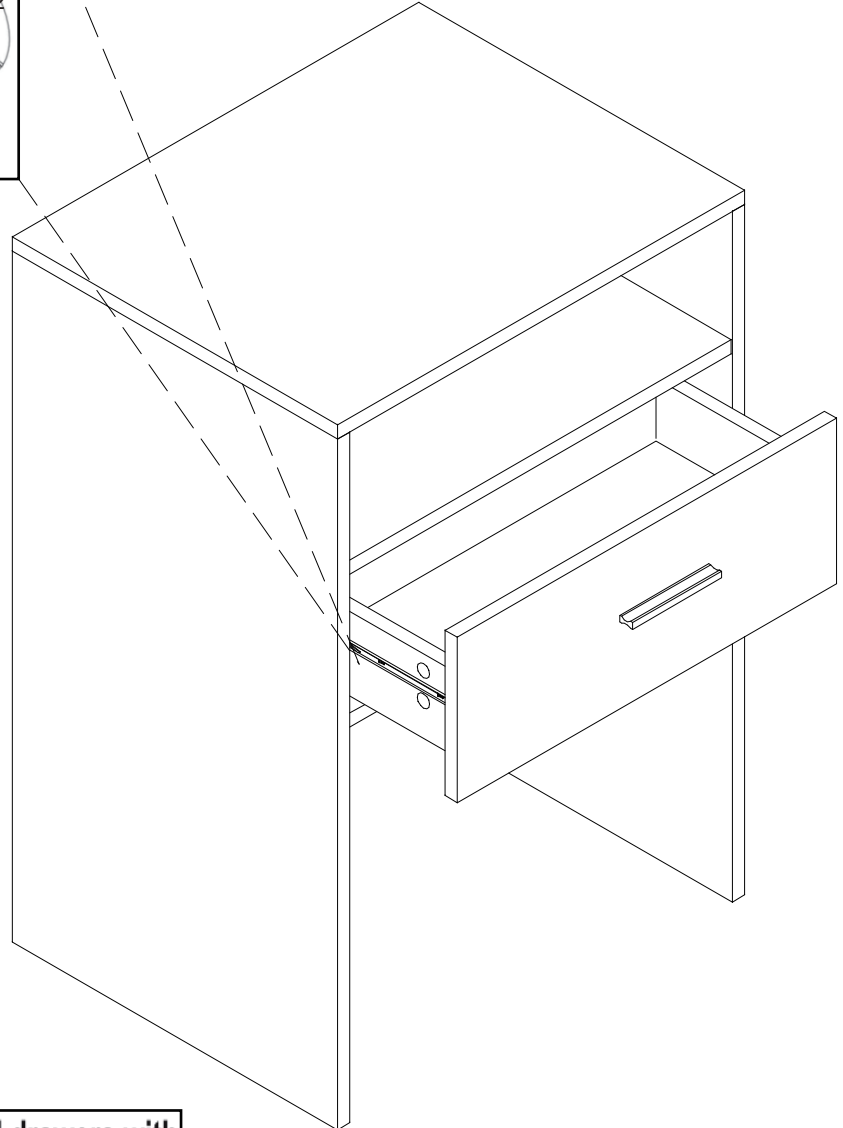
9-1



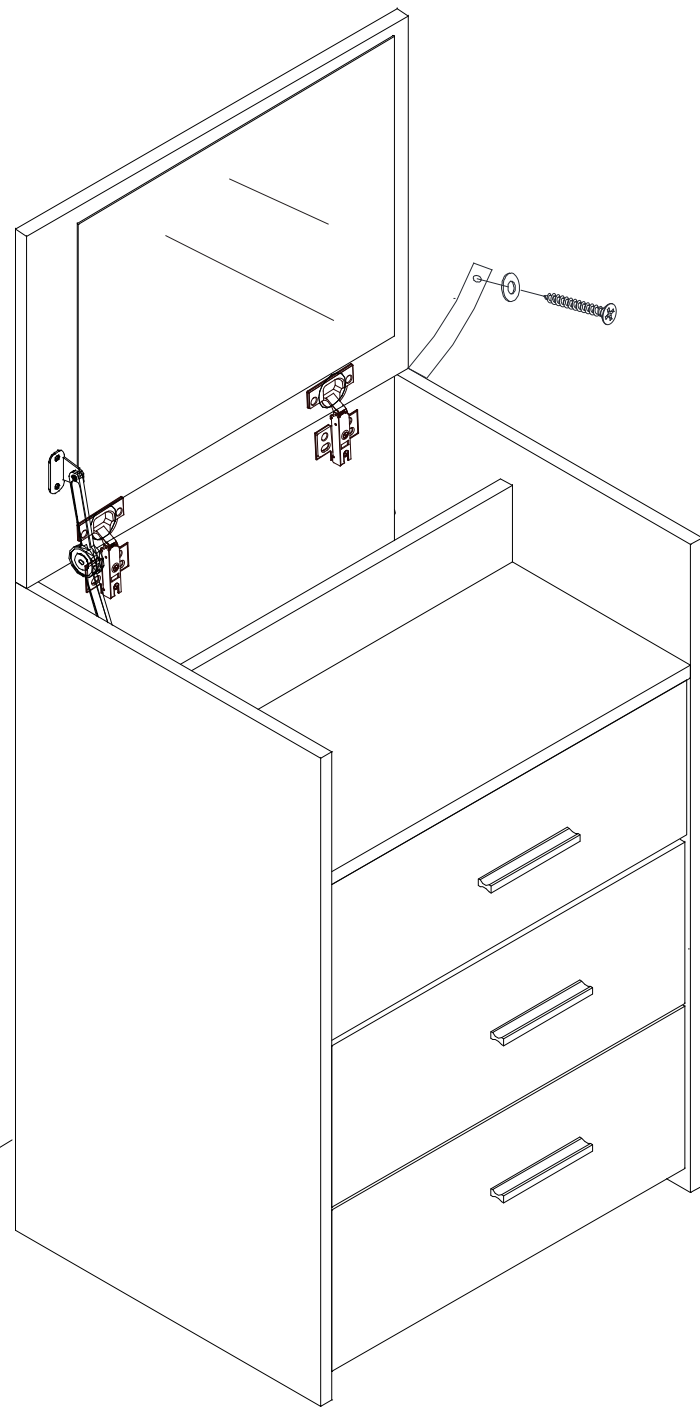
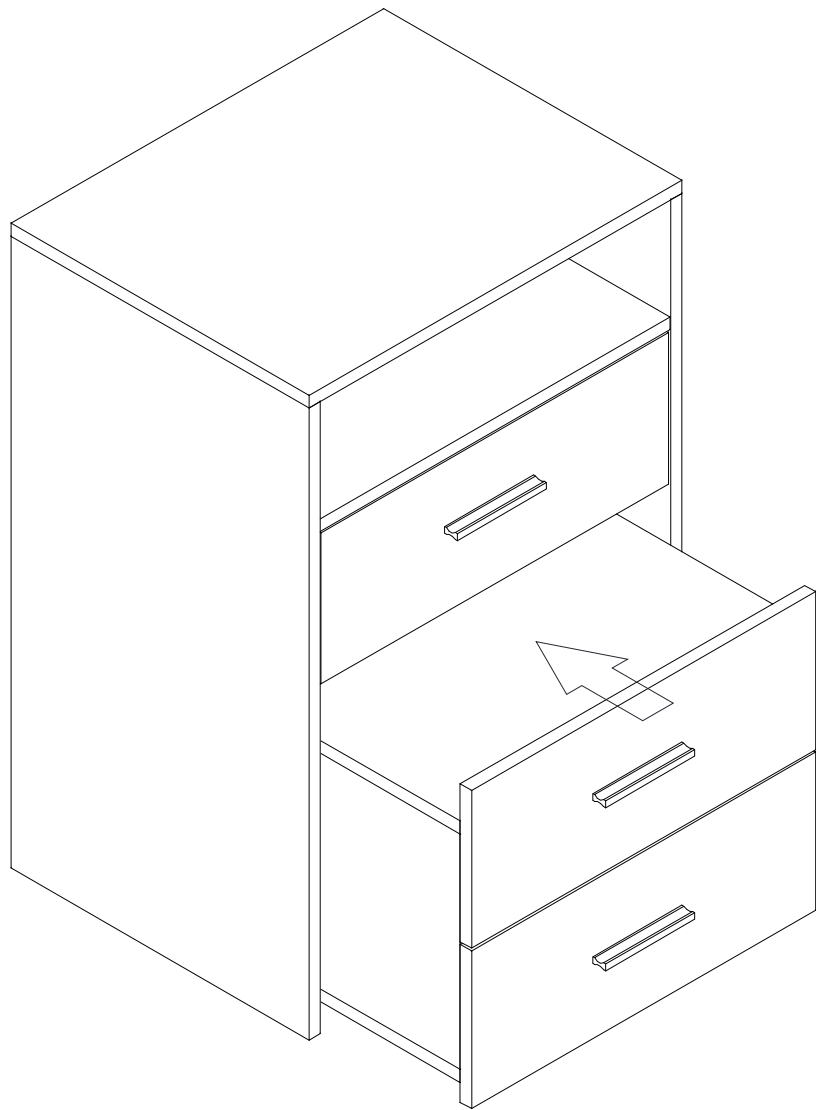
Slide the catch on runner C1-D1 (affixed on cabinet) forward.




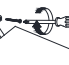
Next, slide in runner C2-D2 (affixed on drawer) as indicated in the drawing.

9-2



Slide in the completed drawers with the steps outlined above.



- 1  +
- 2 
- 3 
- 4 

Lx1