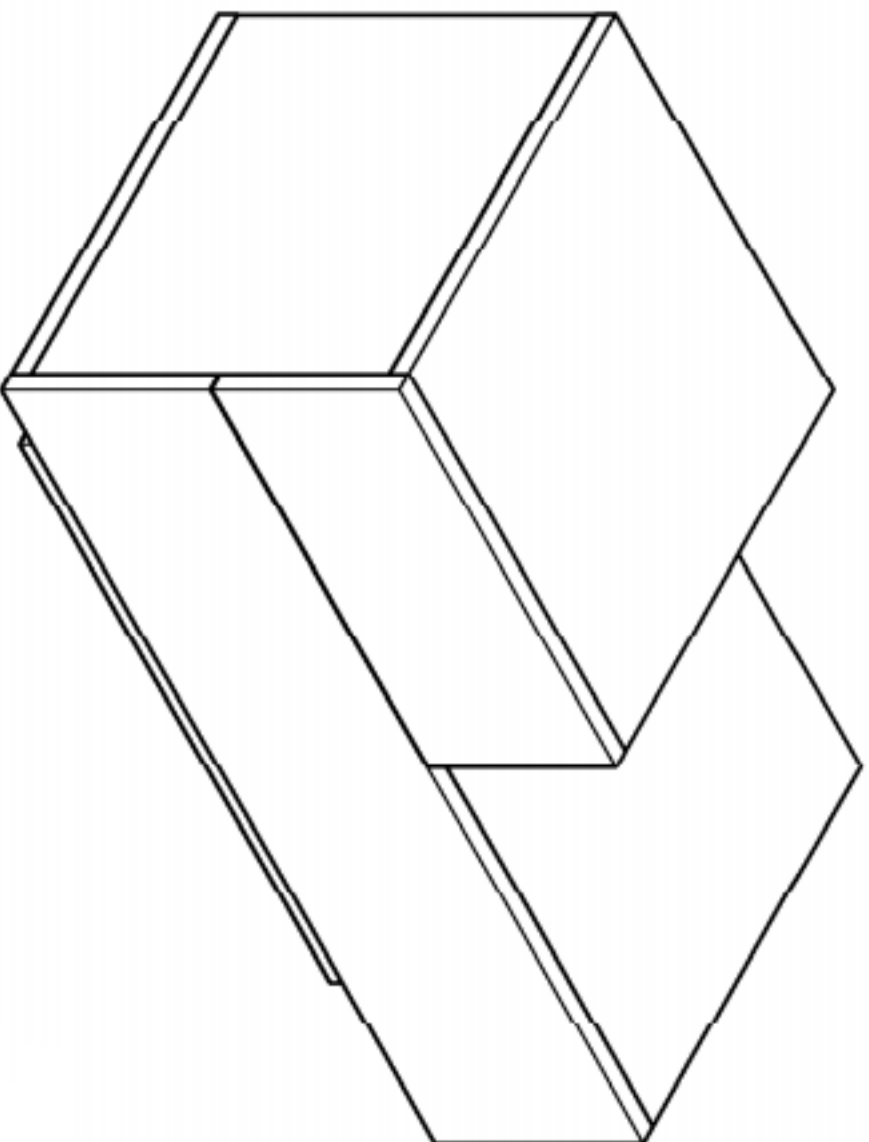


The warning sticker on the furniture is a mandatory requirement in Australia, and it can be removed by wet cloth.



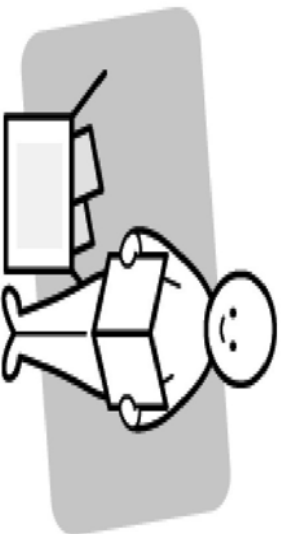
ASSEMBLY INSTRUCTIONS

FURNI-L-BS05-LED-VH

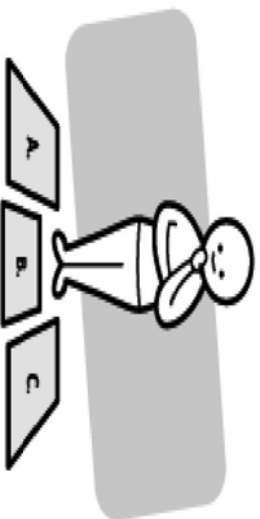
1. Assembly should only be carried out by an adult.
2. Check periodically that all parts are firmly fixed to ensure safe use.
3. Wipe clean only.

 **ARTISS**

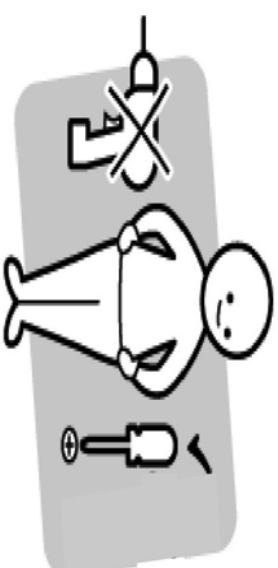
ASSEMBLY CHECKLIST



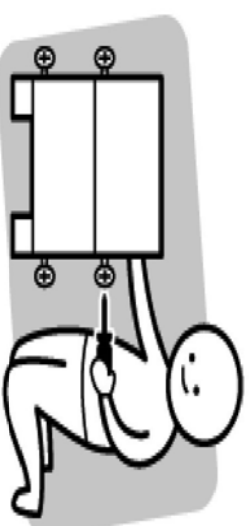
Read instructions carefully before you begin.



Identify and lay out all the parts before you begin assembly.



Ensure that you have all the required tools.
Do not use power tools.

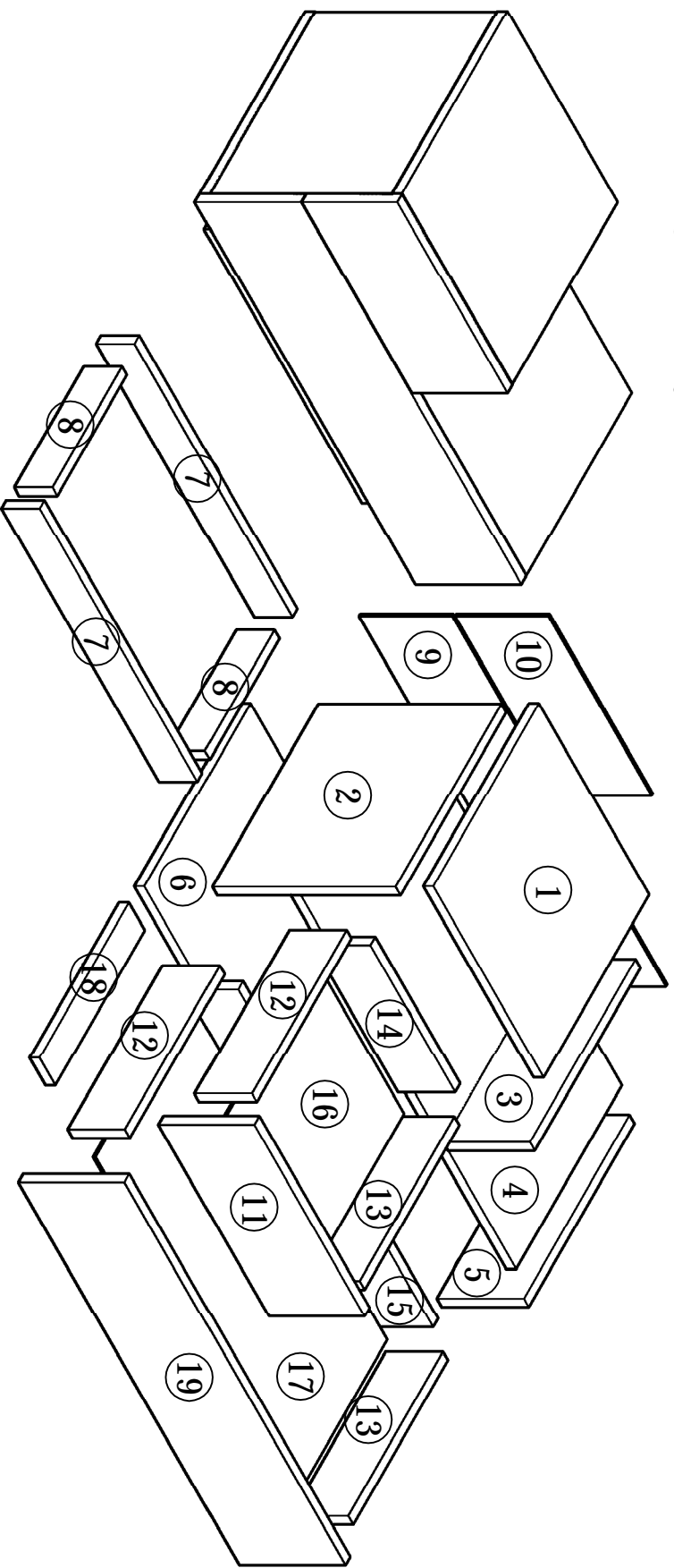


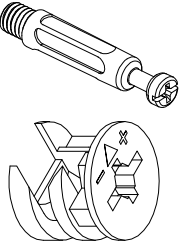

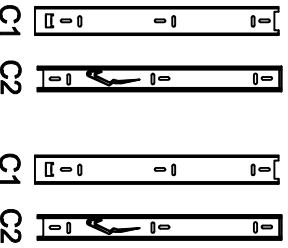
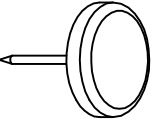
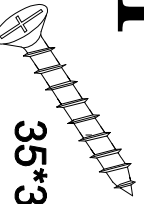
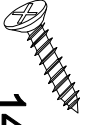
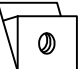
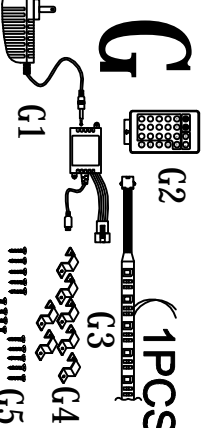
Do not fully tighten all screws until the step or process has finished.

USEFUL TIPS

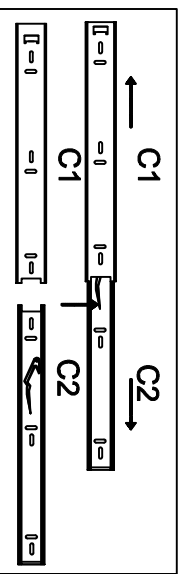
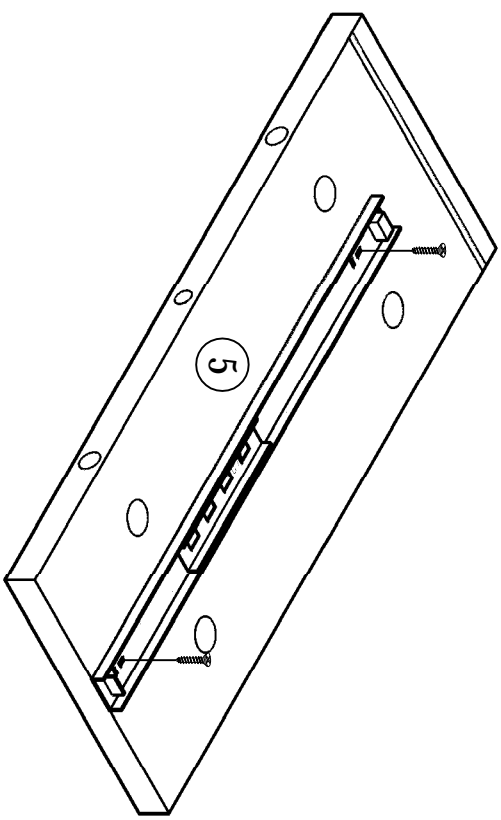
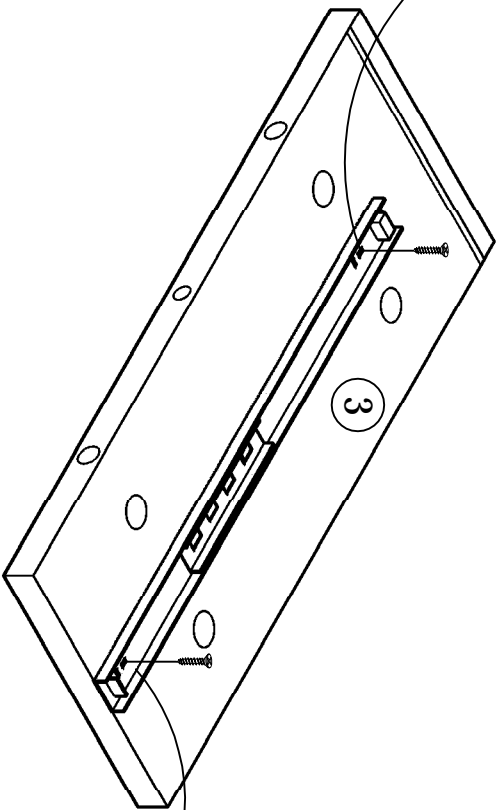
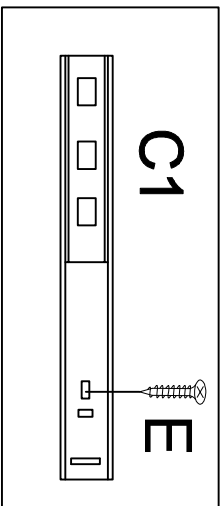
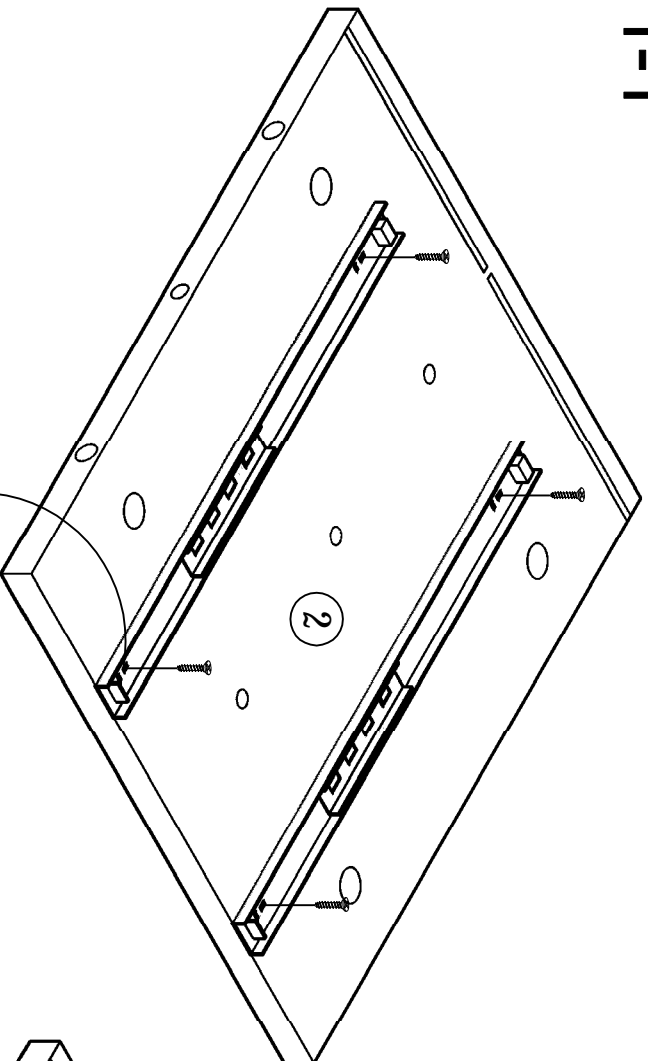
1. Never use power tools. They may damage your parts or hardware if used incorrectly.
2. The most common mistakes made during assembly are using the wrong hardware or getting parts back to front.
3. Always assemble product on a soft surface (such as a carpet or cardboard) to avoid scratches or damage on the product surfaces.

Please do not remove the film from the panel till you finish assemble the product . This is to protect the product from scratch during assembly .

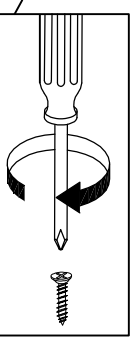


<p>A 38PCS</p> 		<p>B 11PCS</p> 	<p>C 2PCS</p> 		<p>D 4PCS</p> 	<p>F 8PCS 35*3.5</p> 	<p>E 24PCS 14*3.5</p> 	<p>H 8PCS</p> 	<p>G 1PCS</p> 
---	--	---	--	--	--	--	--	---	--

1-1



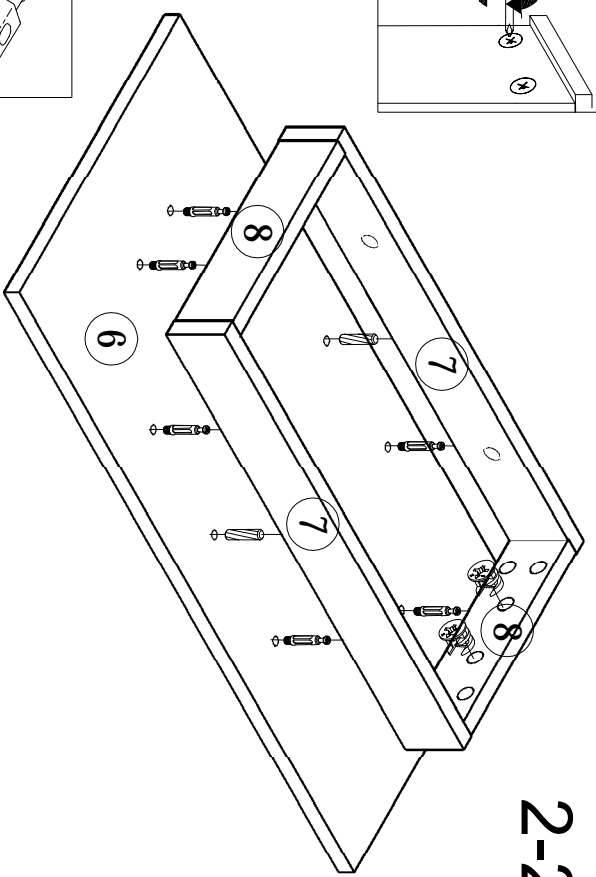
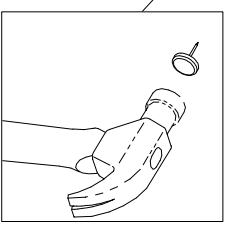
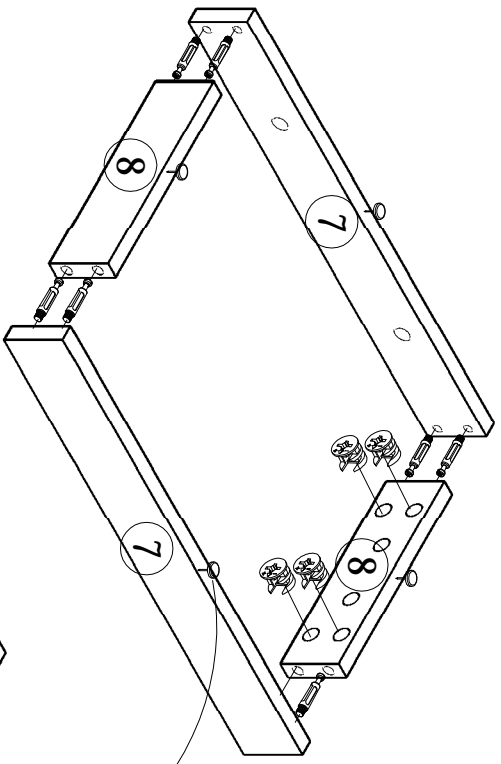
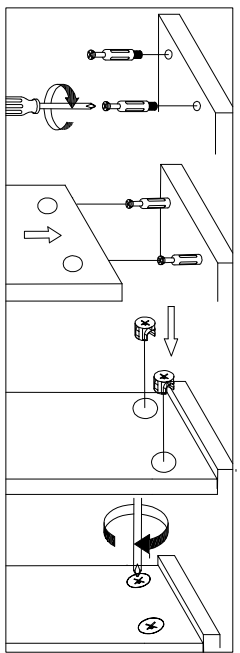
Remove C2 from C1 by pressing the catch and sliding it out as shown.



C1X4 EX8

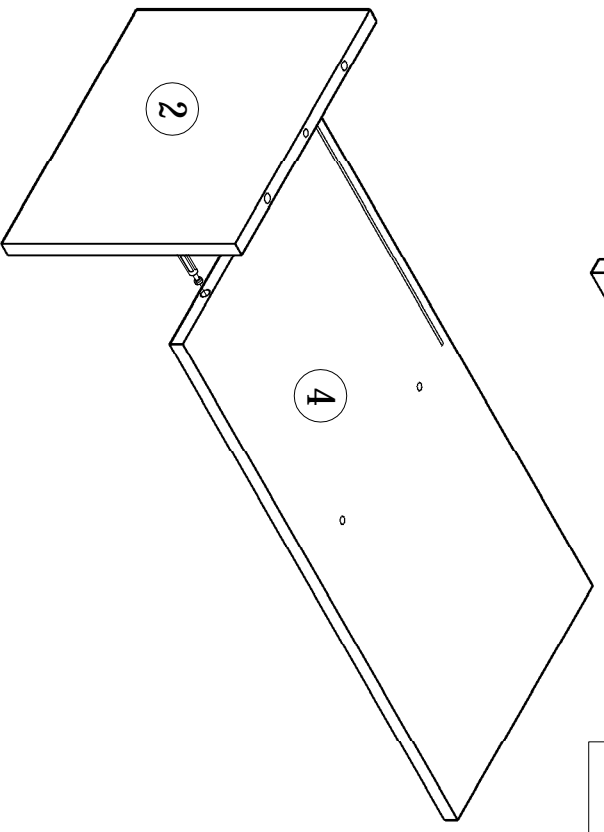
1-2

2-2

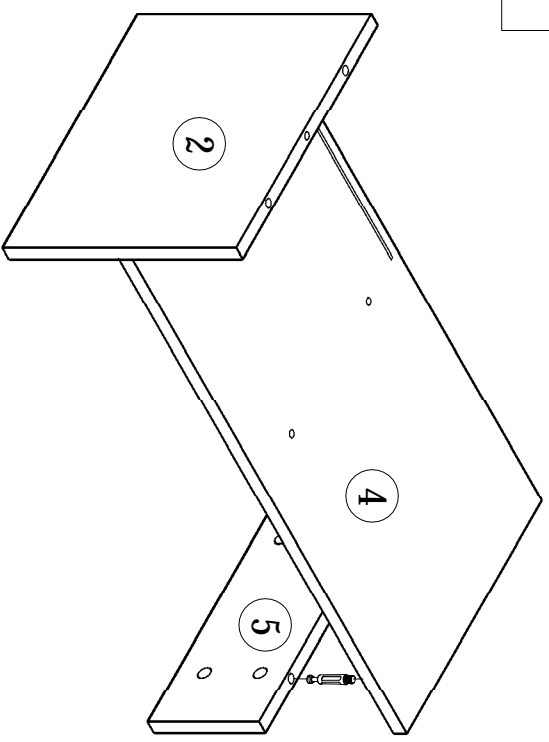


2-2

2-3

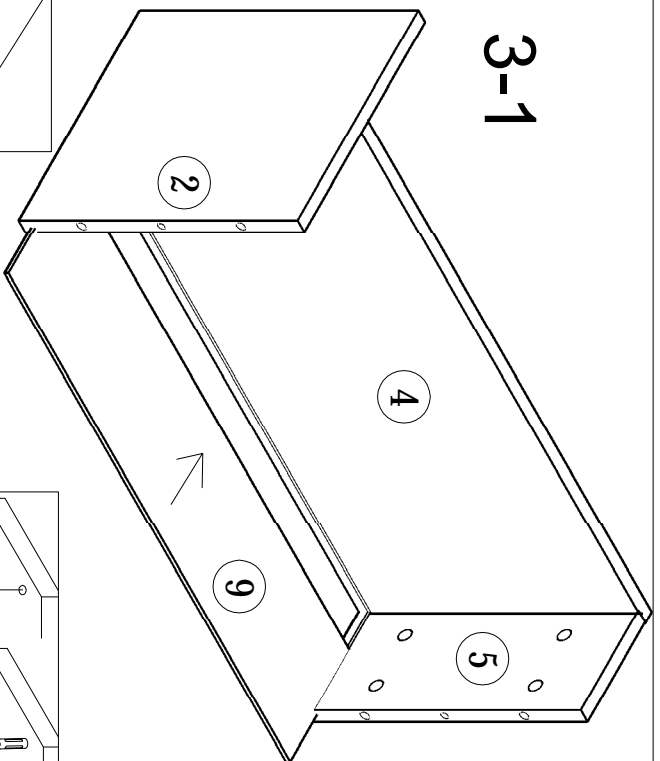


2-4

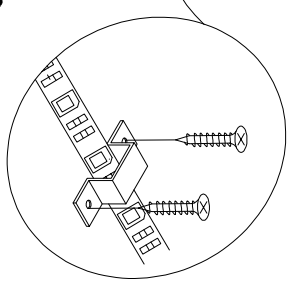
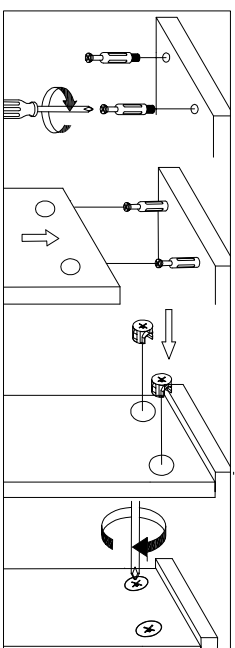
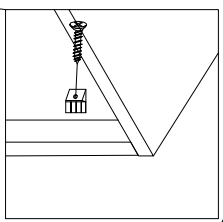
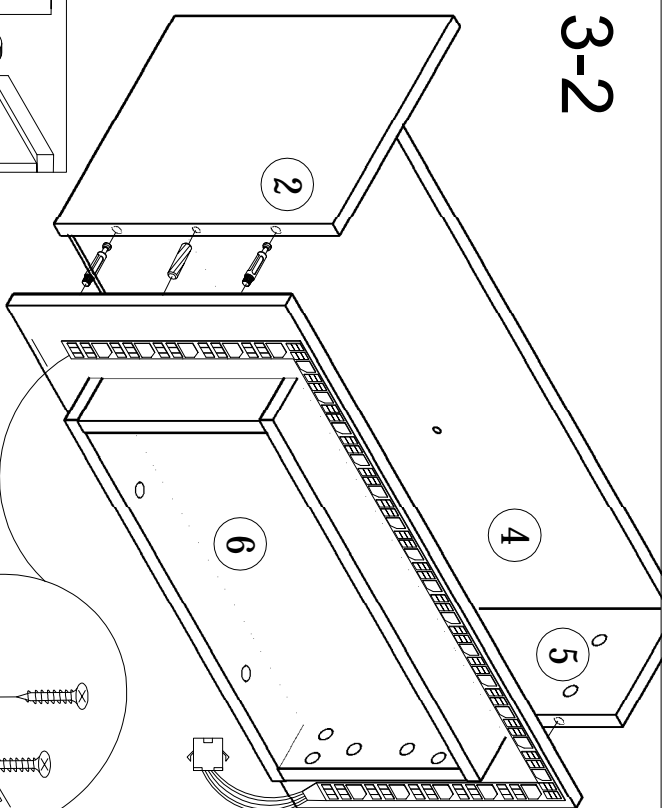


AX20 BX4 DX4

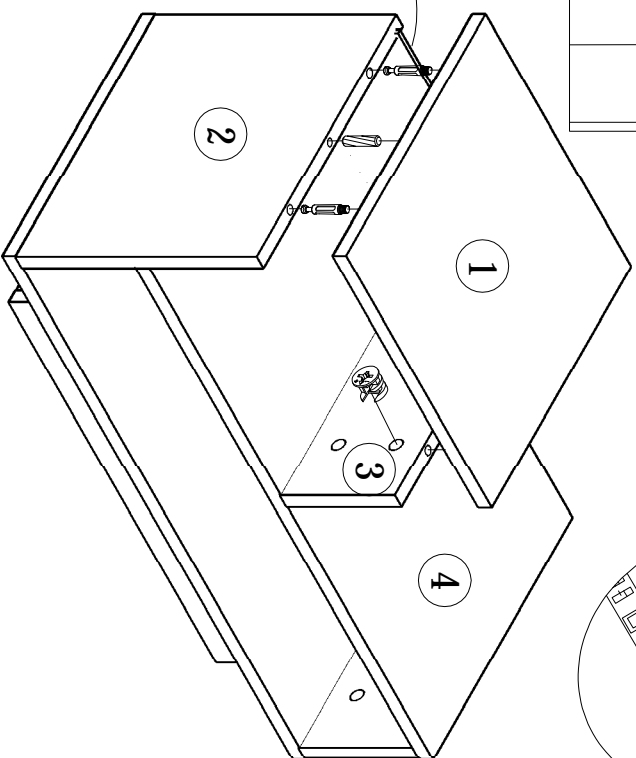
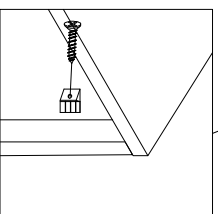
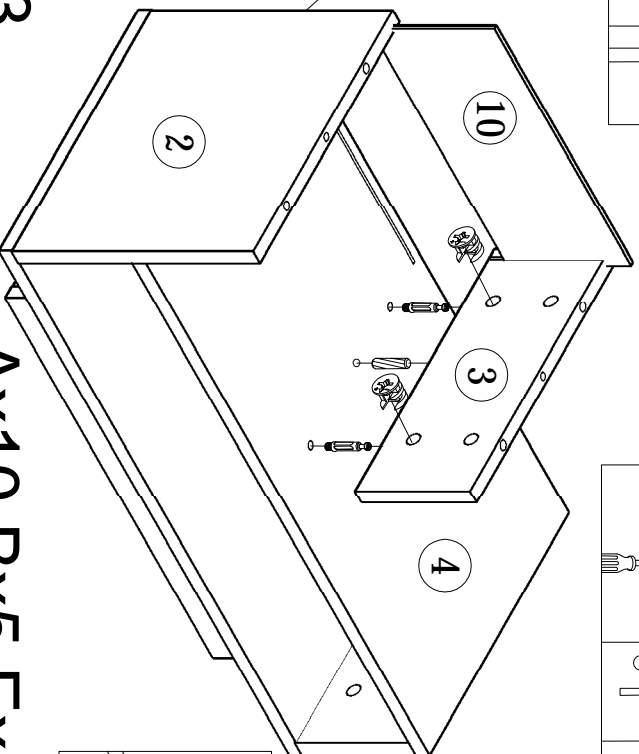
3-1



3-2



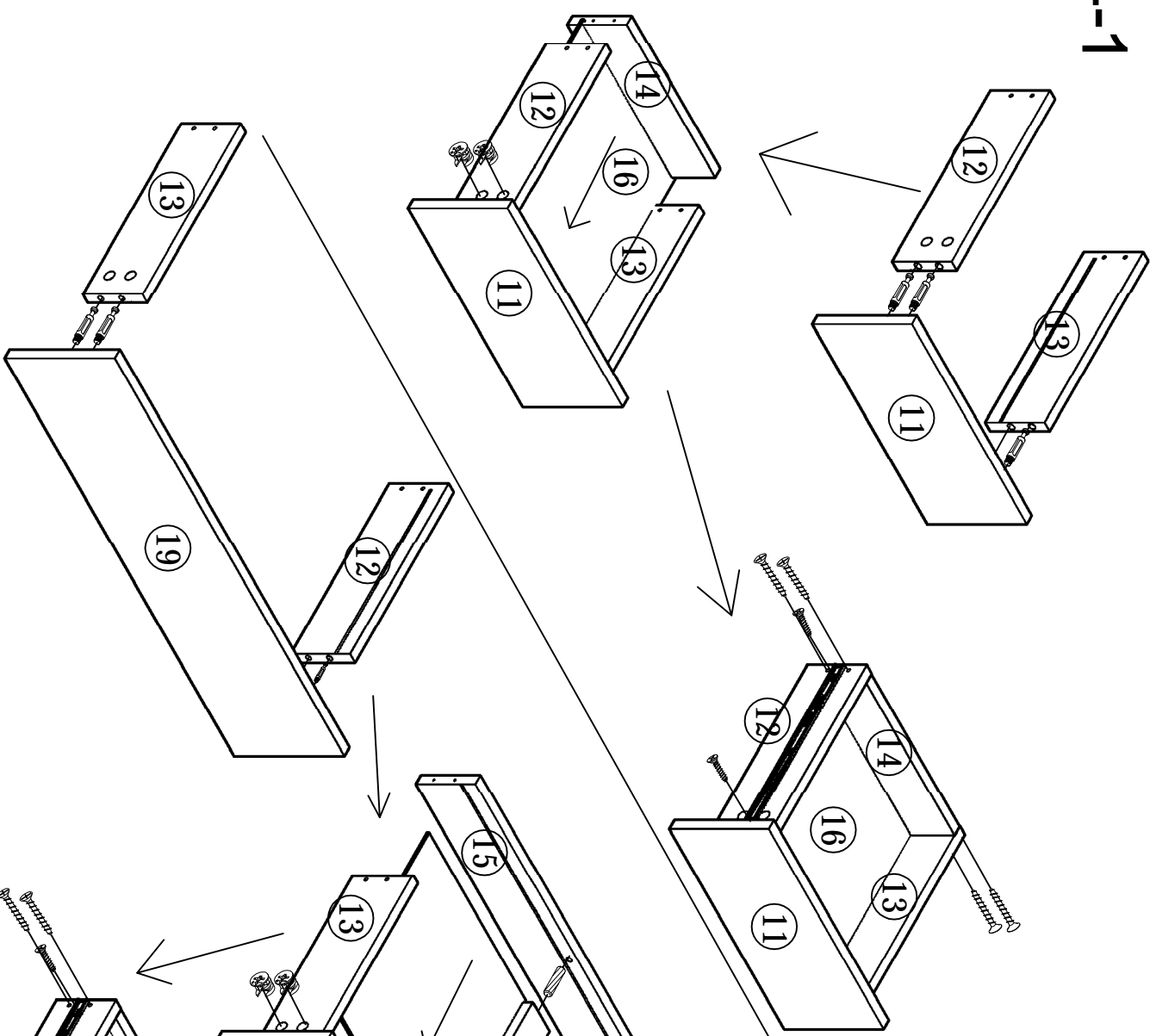
3-3



AX10 BX5 EX8 HX8 G3X1 G4X1 G5X1

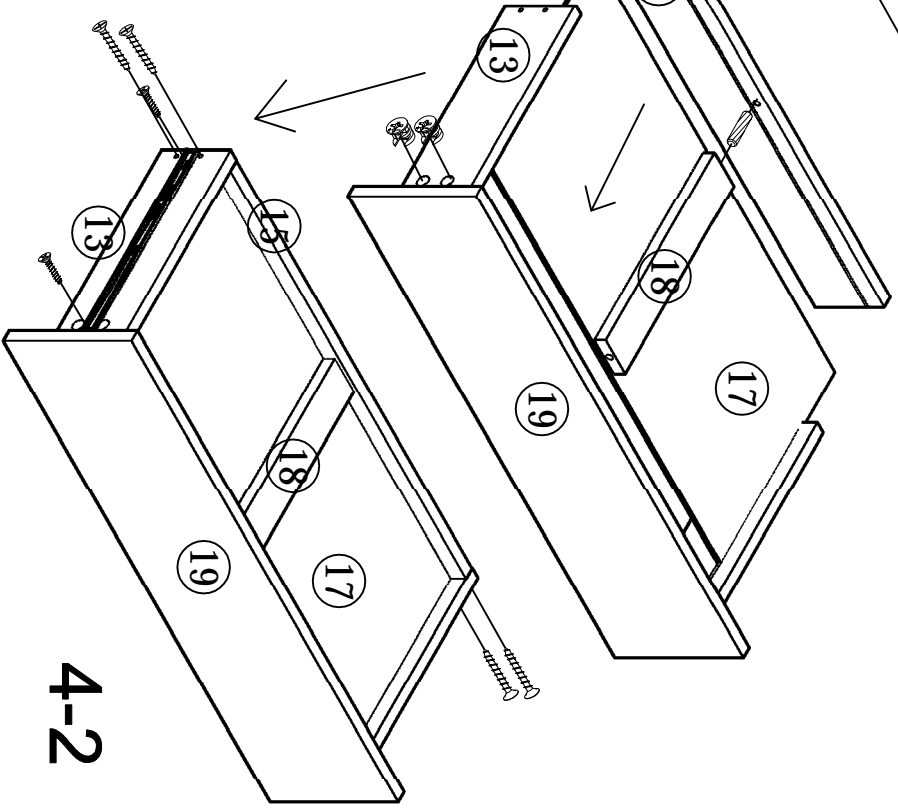
3-4

4-1

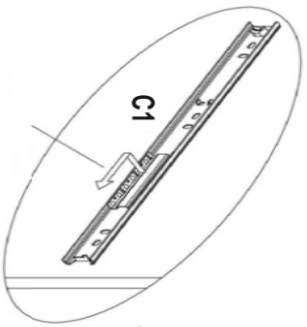
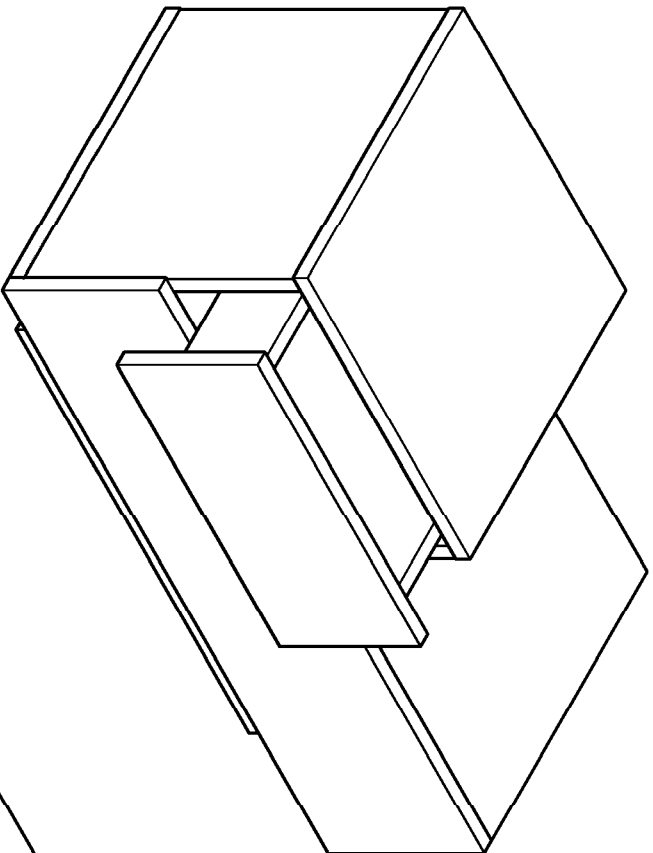


AX8 BX2 C2X4 EX8 FX8

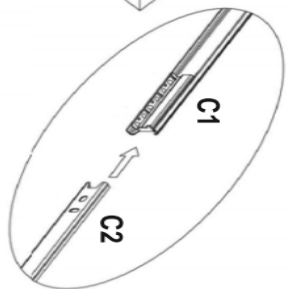
4-2



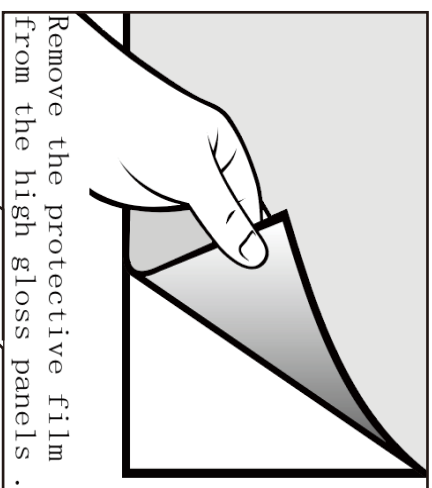
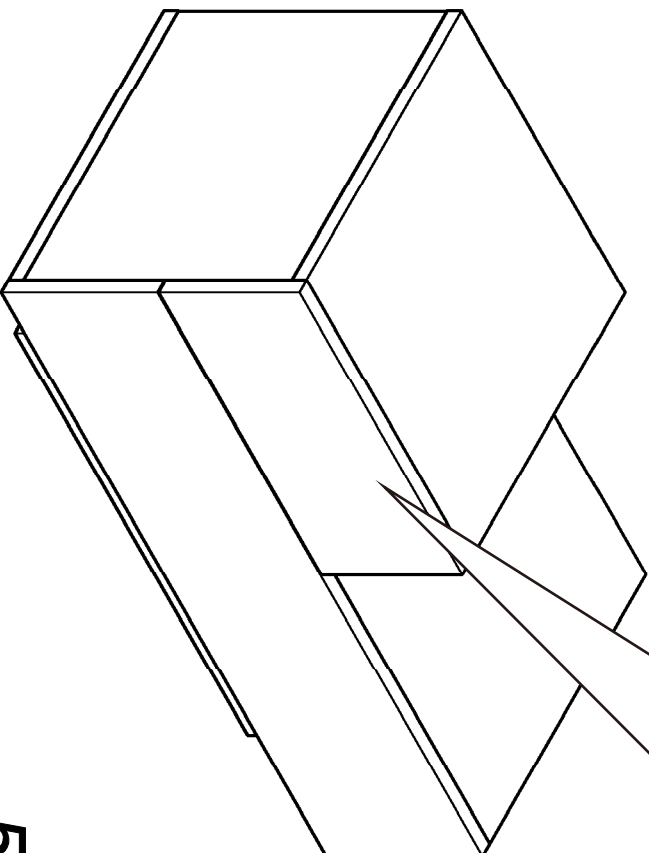
5-1



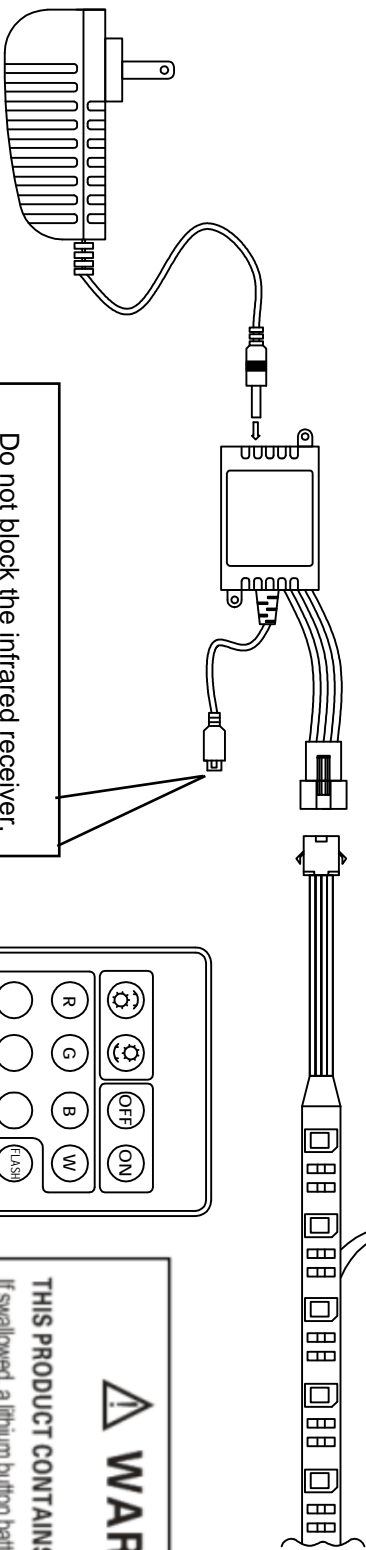
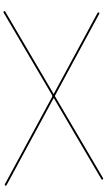
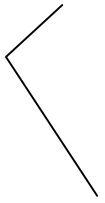
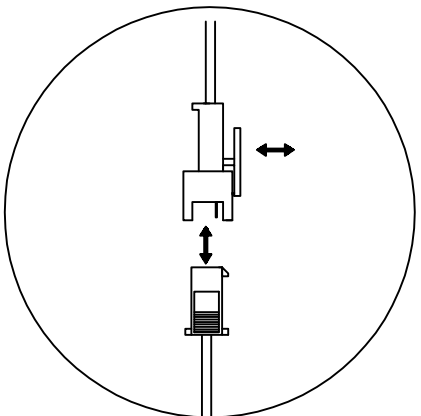
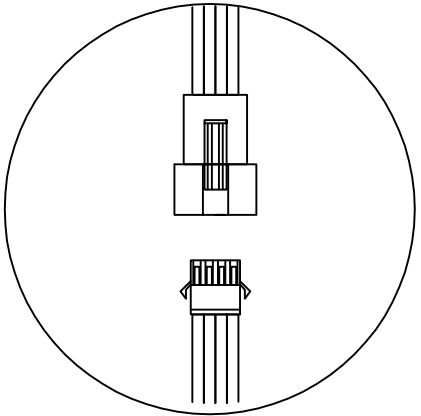
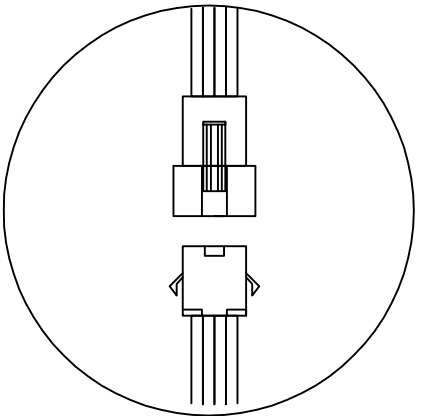
Slide the catch on runner C1
(affixed on cabinet) forward.



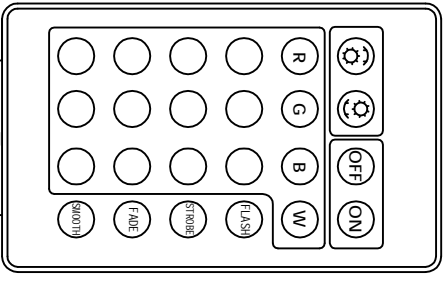
Next, slide in runner C2
(affixed on drawer) as indicated
in the drawing.



5-2



Do not block the infrared receiver,
and also align the infrared receiver
when operating.



WARNING
THIS PRODUCT CONTAINS A BUTTON BATTERY
 If swallowed, a lithium button battery can cause severe or fatal injuries within 2 hours.
 Keep batteries out of reach of children.
 If you think batteries may have been swallowed or placed inside any part of the body, seek immediate medical attention.

Pull out the plastic sheet before use .

Operation Instructions of Controller

I. Specifications:

Working temperature:-20-60°C

Product size: L62xW35xH23mm

Net weight:50g

Output: Three CMOS drain-open output

Max load current: 2 A each color

Supply voltage: DC12V

Package size: L105xW65xH55mm

Gross weight:70g

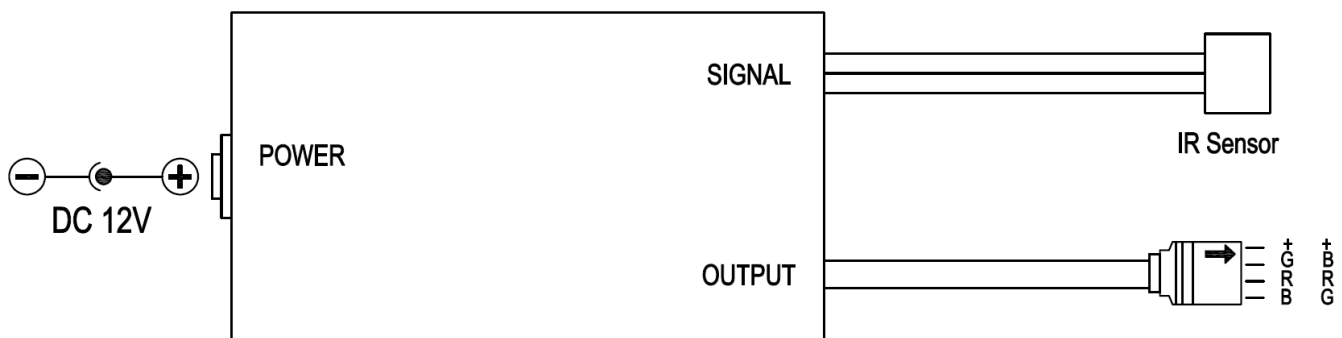
Connecting Mode: Common anode

II. Control Method:

Adopt IR remoter to control the led controller. which has 24 buttons, the function of each button as the table below:

Brightness + (Speed up)	Brightness - (Speed down)	Off	On
Static red	Static green	Static blue	Static white
Static orange	Static Pea green	Static dark blue	7 color jumpy change
Static dark yellow	Static cyan	Static brown	All fade out & fade in
Static yellow	Static light blue	Static pink	7 color fade change
Static straw yellow	Static sky blue	Static purple	3 base color jumpy

III. Panel specification and connecting drawing as follows:



IV. Warning:

1. Supply voltage of this product is DC12V never connect to DC24V or AC220V.
2. Never connect two wires directly in case of short circuit.
3. Lead wire should be connected correctly according to colors that connecting diagram offers.
4. Warranty of this product is one year, in this period we guarantee replacement or repairing with no charge, but exclude the artificial situation of damaged or overload working.

WARNING

THIS PRODUCT CONTAINS A BUTTON BATTERY.

If swallowed, a lithium button battery can cause severe or fatal injuries within 2 hours.

Keep batteries out of reach of children.

If you think batteries may have been swallowed or placed inside any part of the body, seek immediate medical attention.