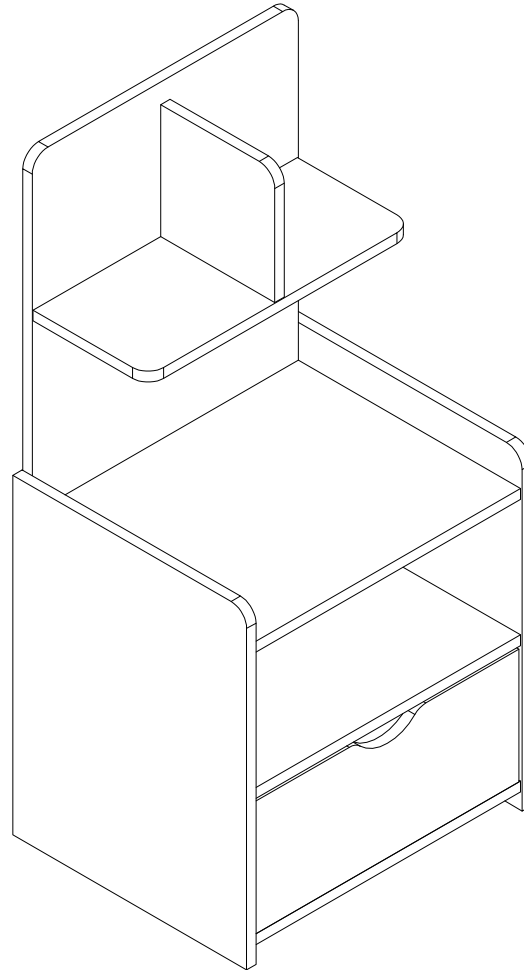


MODEL: FURNI-G-BSIDE-P16-WH



Warning instructions:

- 1.Assembly should to be carried out by a competent adult only.
- 2.Regularly check all parts firmly fixed to ensure the furniture for safe use.
- 3.Wipe clean only.

Assembly checklist



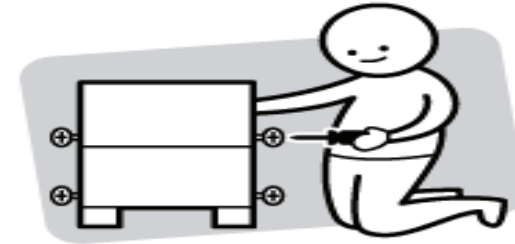
Read through the instructions carefully before you begin.



Make sure you have all the required tools. Do not use power tools.



Identify and lay out all of the components before you begin assembly.



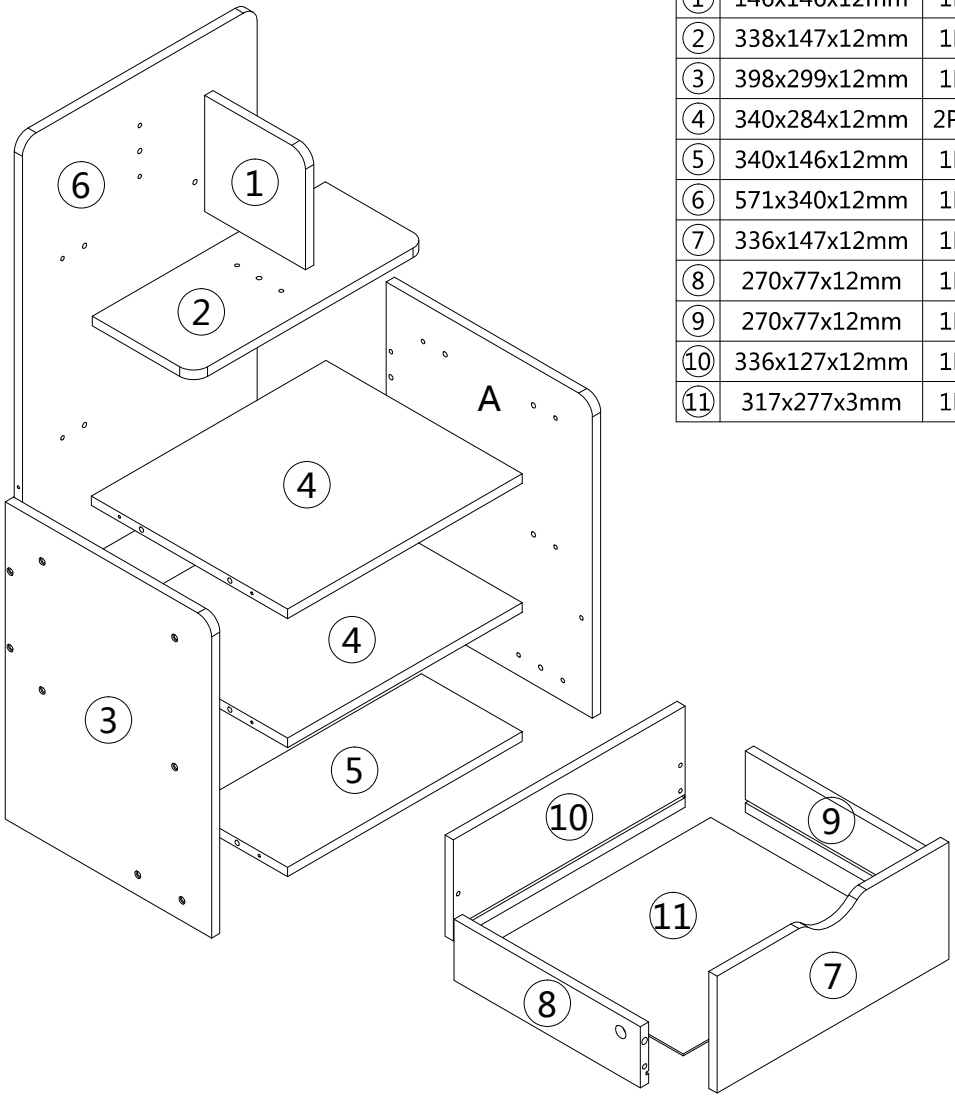
Do not fully tighten all screws until step/ process finished.

Useful Information

! Never use power tools, they can damage your components or hardware if used incorrectly.

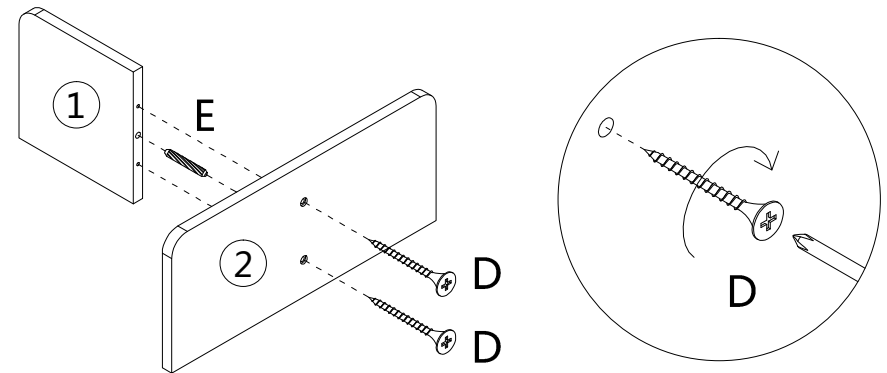
! The most common mistakes made during assembly are using the wrong hardware or getting components back to front.

! Always use a soft surface (such as carpet or cardboard) when assembling your product to avoid scratching or damaging the surface of the product.

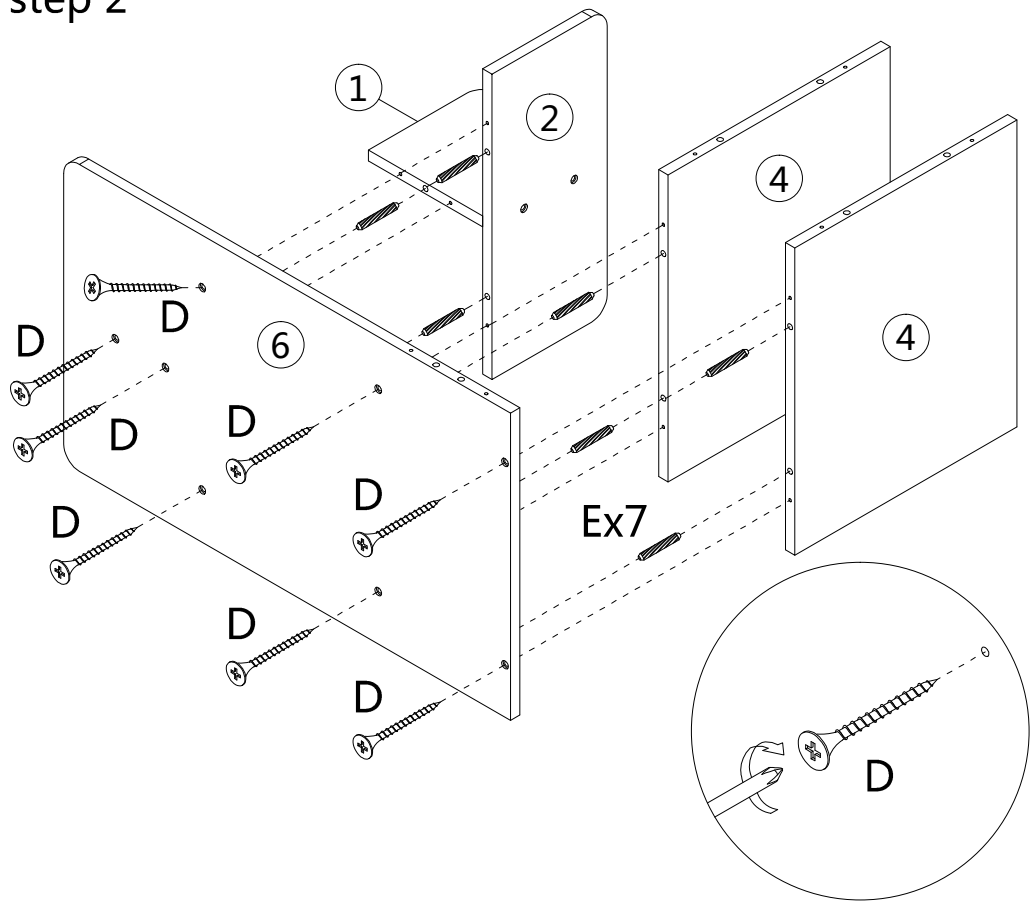


A	398x299x12mm	1PC
①	146x146x12mm	1PC
②	338x147x12mm	1PC
③	398x299x12mm	1PC
④	340x284x12mm	2PCS
⑤	340x146x12mm	1PC
⑥	571x340x12mm	1PC
⑦	336x147x12mm	1PC
⑧	270x77x12mm	1PC
⑨	270x77x12mm	1PC
⑩	336x127x12mm	1PC
⑪	317x277x3mm	1PC

step 1



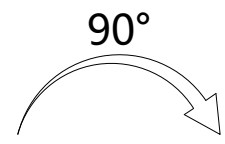
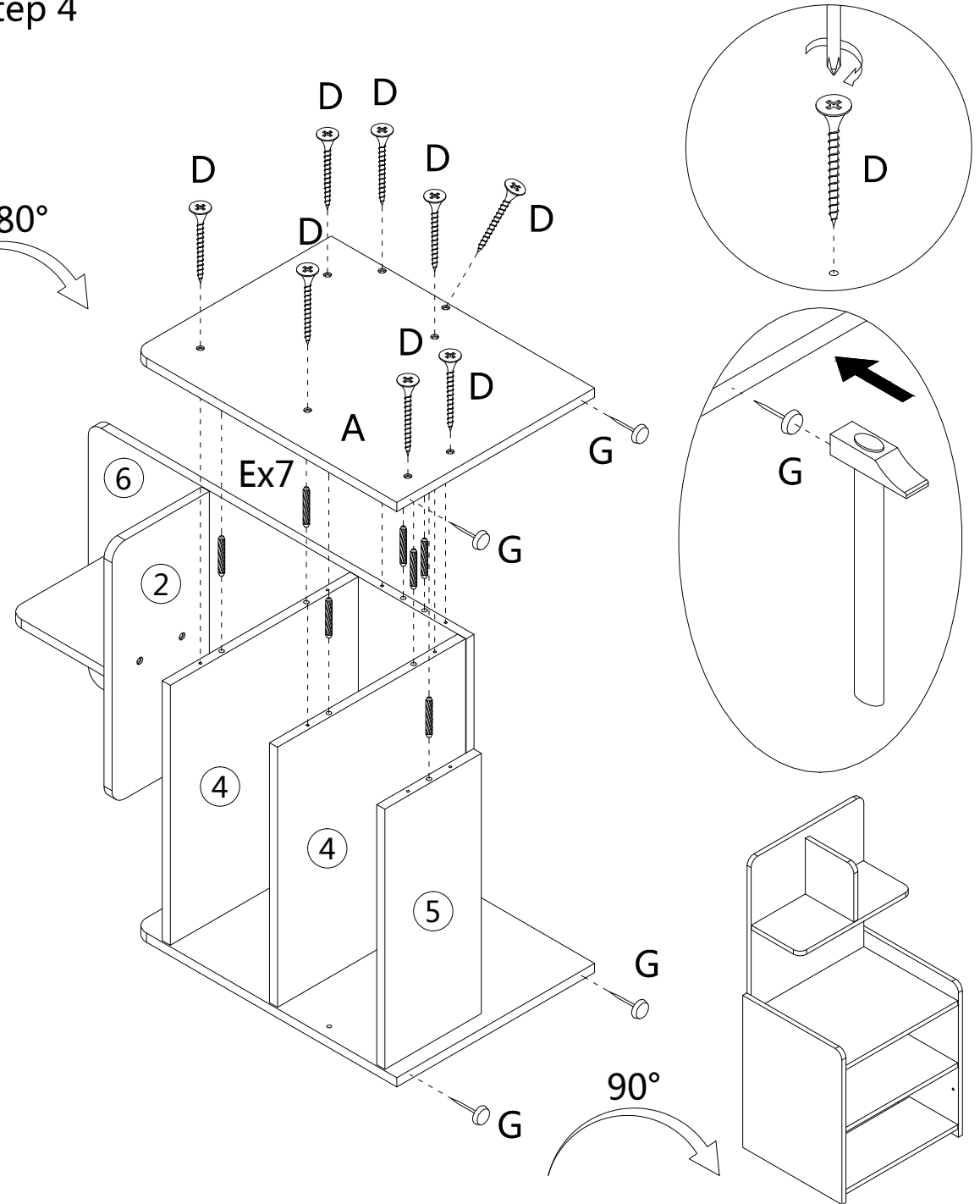
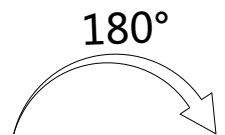
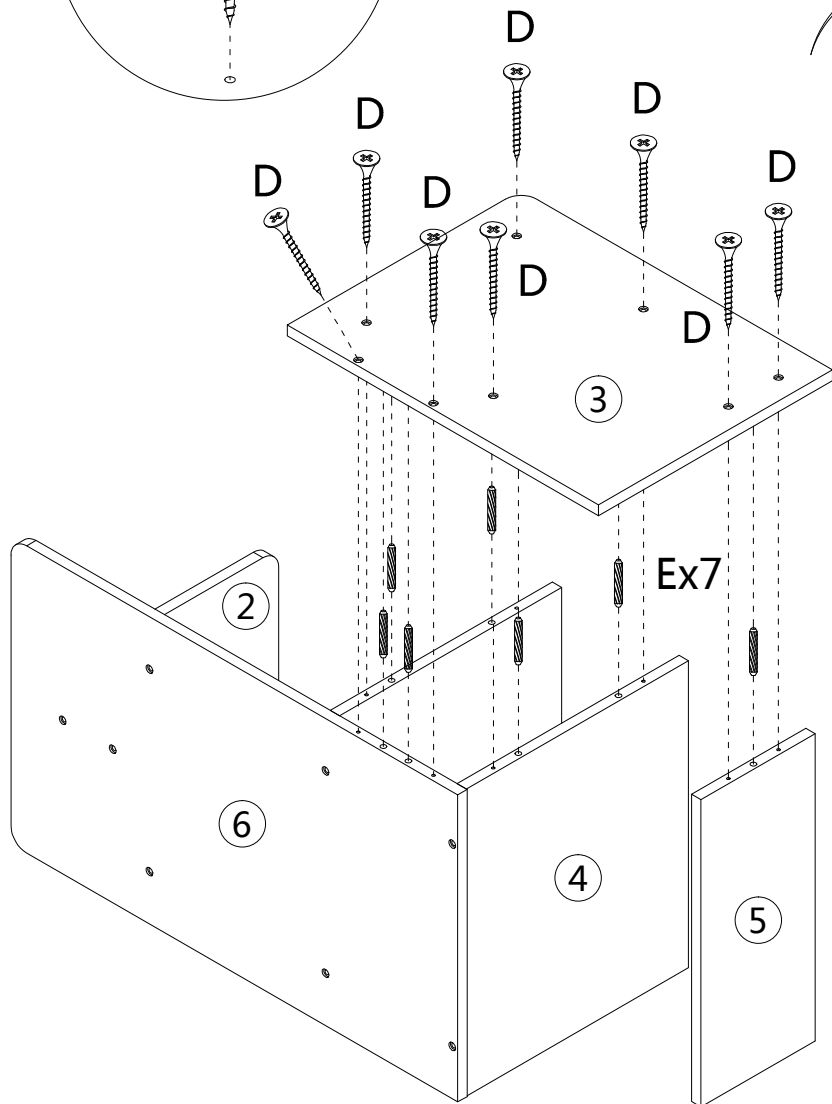
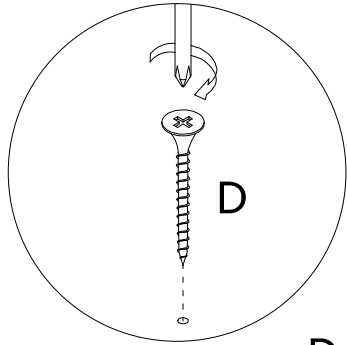
step 2



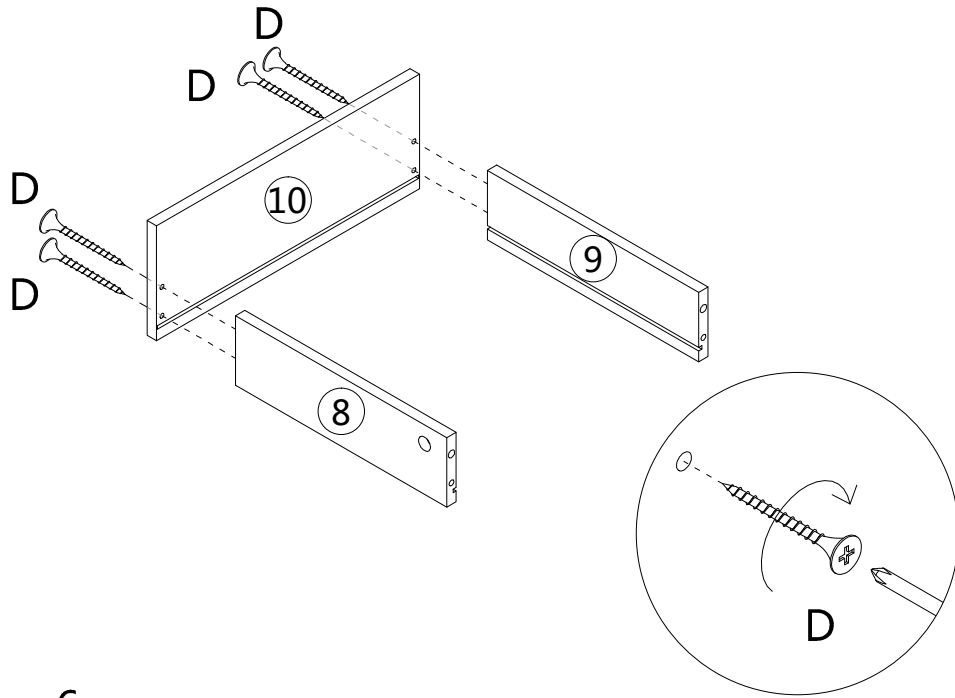
B	2PCS	C	2PCS	D	32PCS	E	24PCS	F	2PCS	G	4PCS	H	16PCS
I	2PCS	J	2PCS	K	2PCS	L	2PCS						

step 3

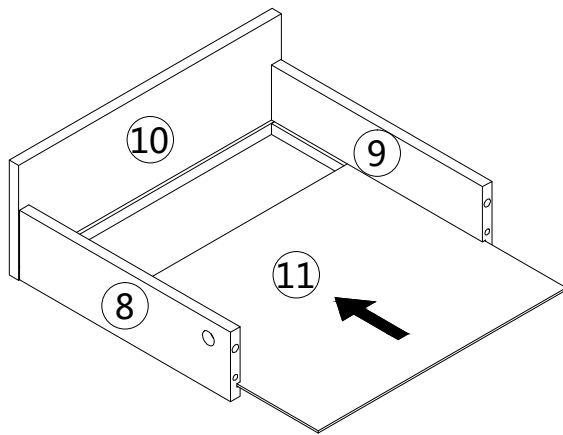
step 4



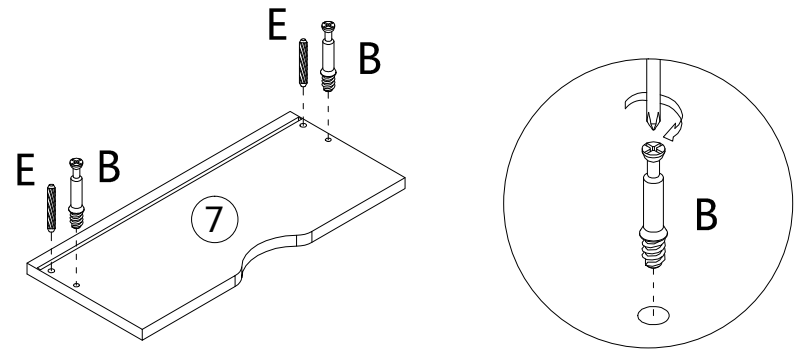
step 5



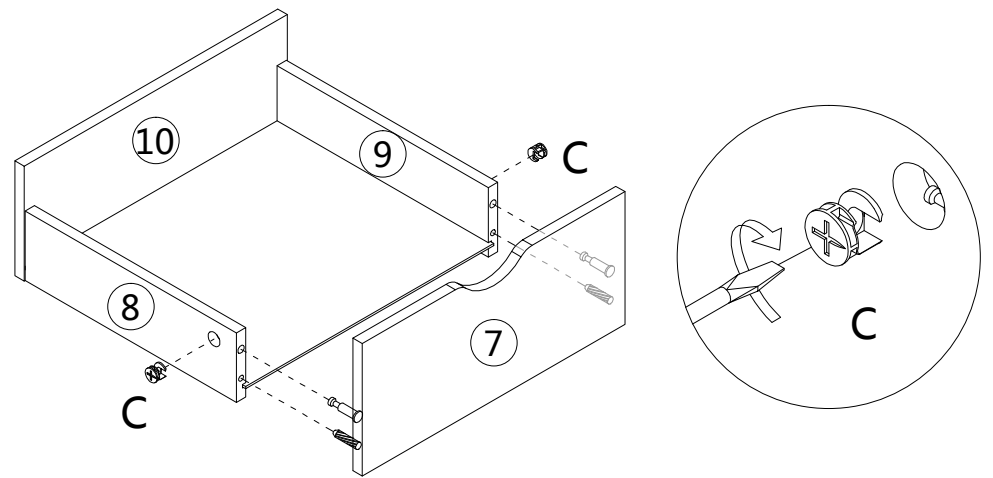
step 6



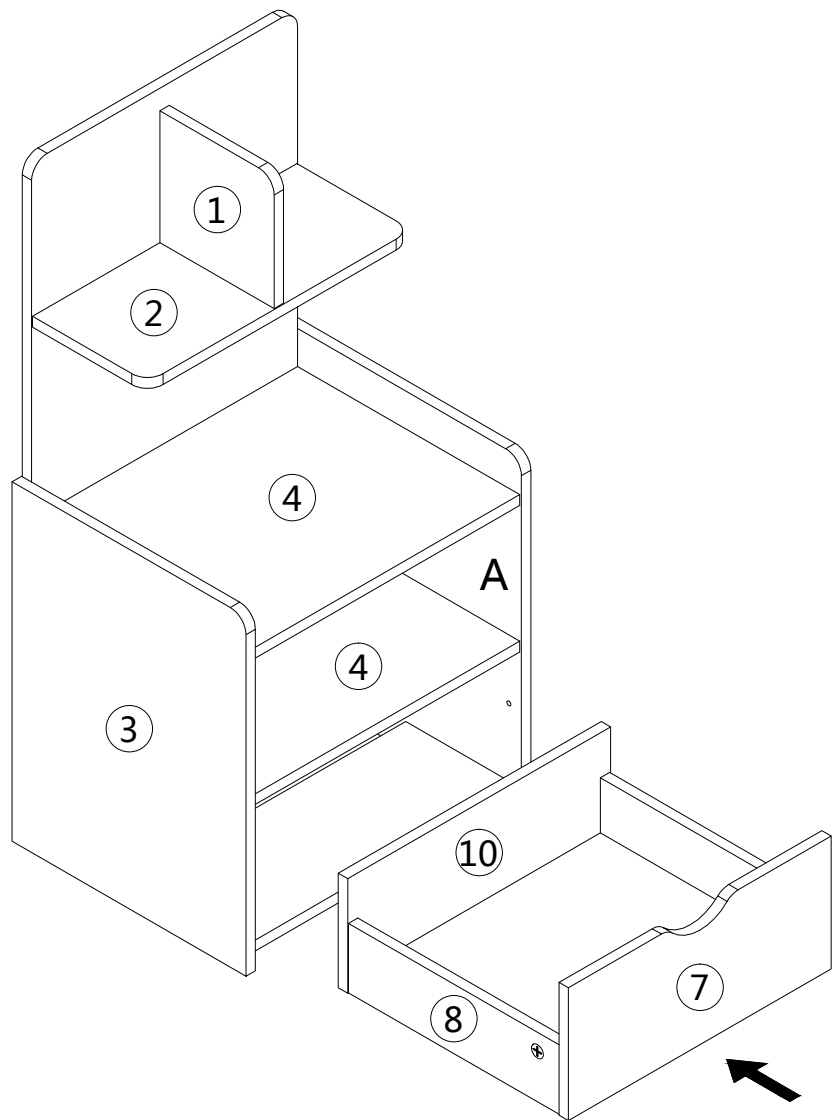
step 7



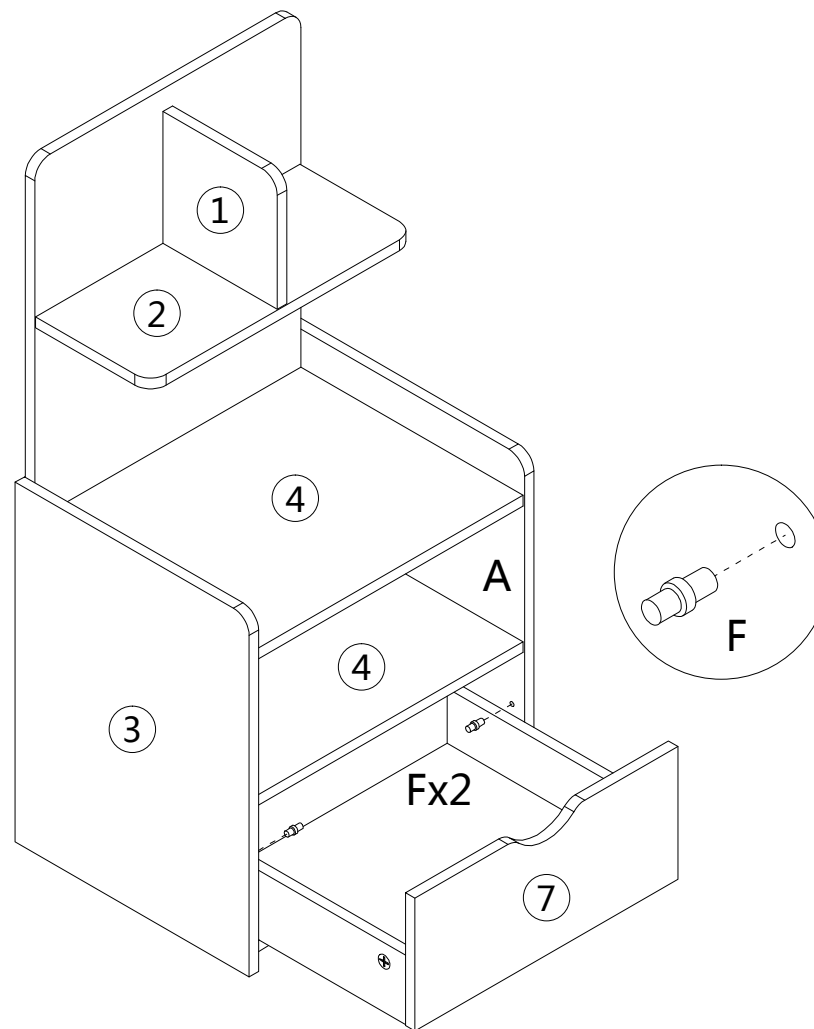
step 8



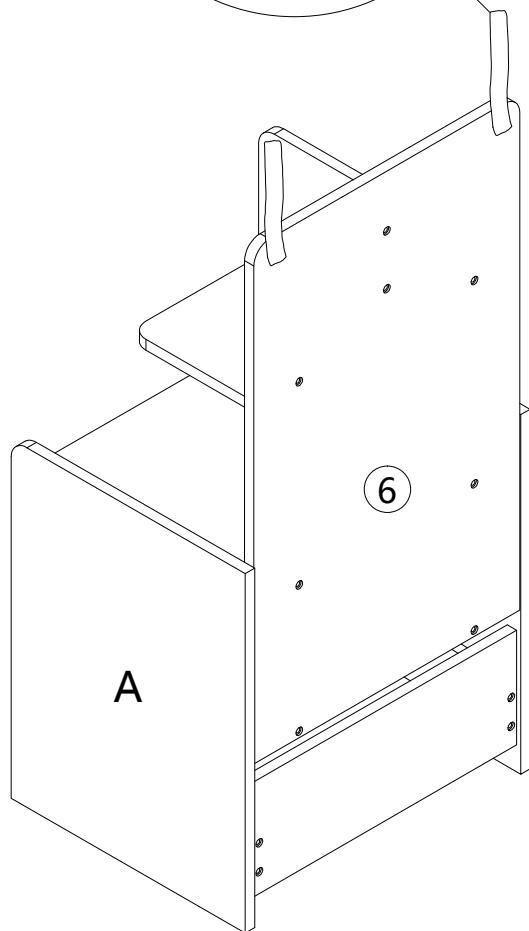
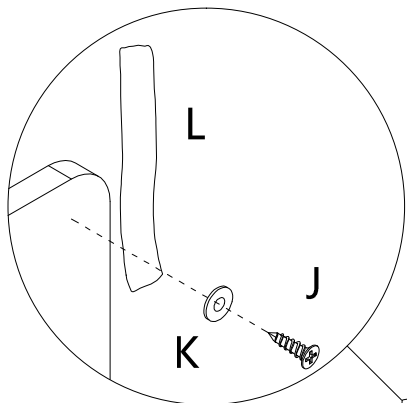
step 9



step 10

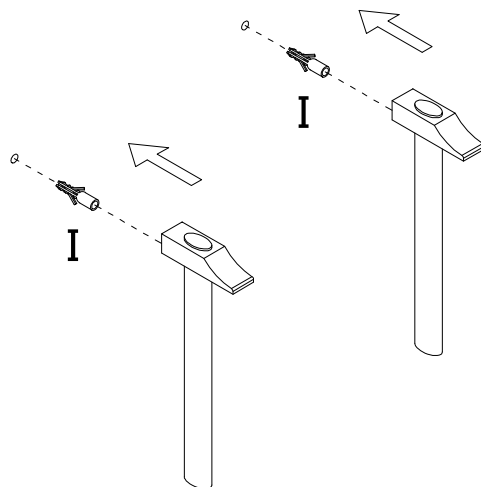


step 11



step 12

WALL



Pre-drilled holes at wall

step 13

WALL

It is strongly recommended to mount the cabinet to the wall with supplied mounting parts. Otherwise, please skip this step.

