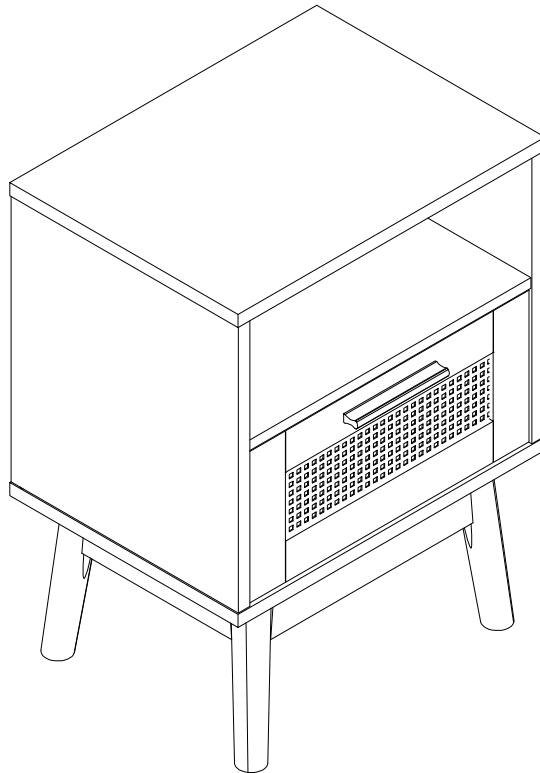


MODEL: FURNI-G-BS-RAT-01-WD

 **ARTISS**



Warning instructions:

- 1.Assembly should to be carried out by a competent adult only.
- 2.Regularly check all parts firmly fixed to ensure the furniture for safe use.
- 3.Wipe clean only.

Assembly checklist



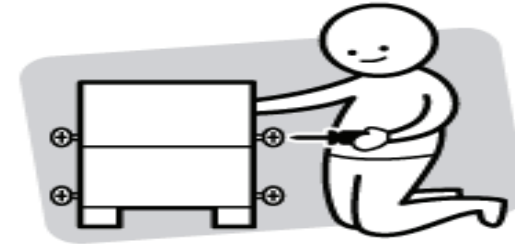
Read through the instructions carefully before you begin.



Make sure you have all the required tools. Do not use power tools.



Identify and lay out all of the components before you begin assembly.



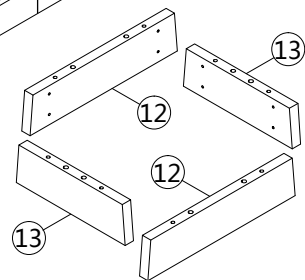
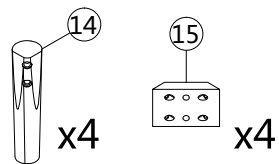
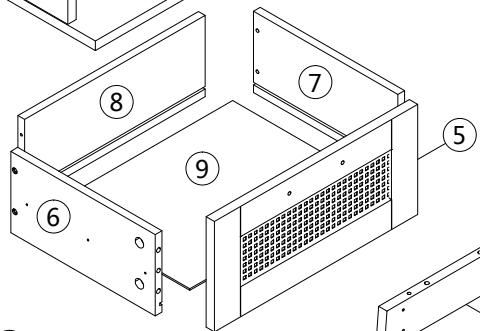
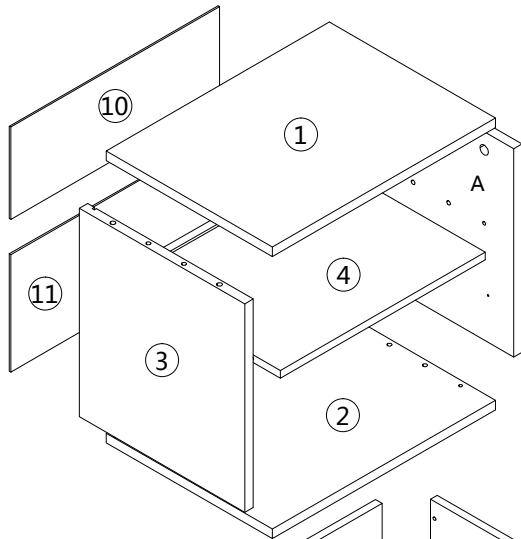
Do not fully tighten all screws until step/ process finished.

Useful Information

! Never use power tools, they can damage your components or hardware if used incorrectly.

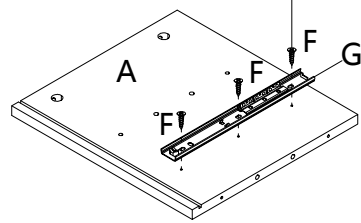
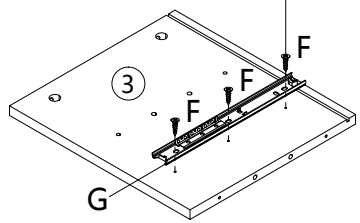
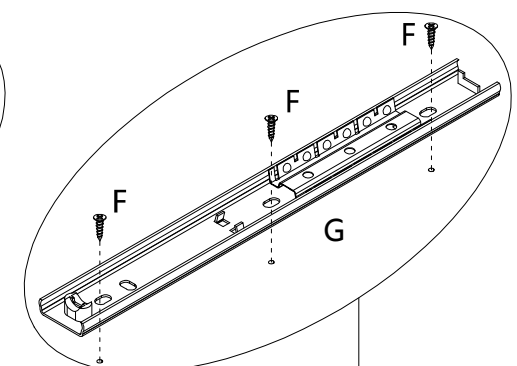
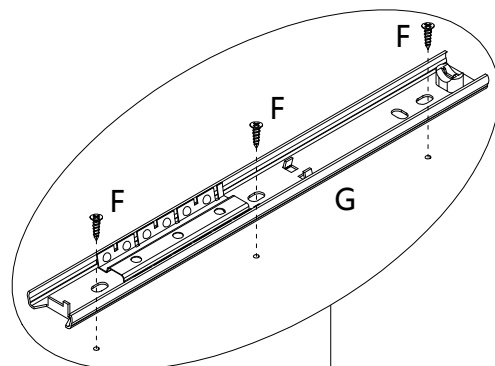
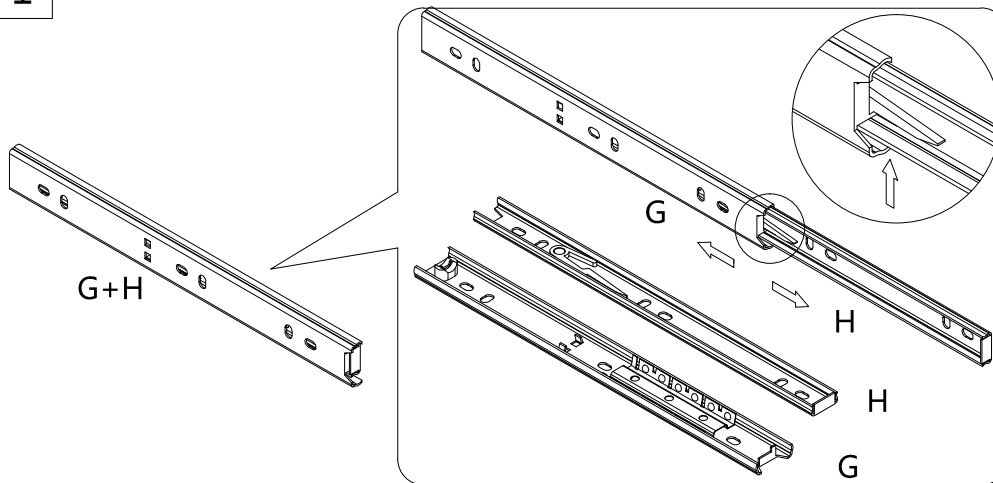
! The most common mistakes made during assembly are using the wrong hardware or getting components back to front.

! Always use a soft surface (such as carpet or cardboard) when assembling your product to avoid scratching or damaging the surface of the product.



A	325x298x15mm	1PC
①	402x299x15mm	1PC
②	402x299x15mm	1PC
③	325x298x15mm	1PC
④	369x297x12mm	1PC
⑤	366x172x15mm	1PC
⑥	260x127x12mm	1PC
⑦	260x127x12mm	1PC
⑧	325x127x12mm	1PC
⑨	332x255x3mm	1PC
⑩	376x144x3mm	1PC
⑪	376x183x3mm	1PC
⑫	265x61x15mm	2PCS
⑬	196x61x15mm	2PCS
⑭	187x ϕ 38mm	4PCS
⑮	85x58x15mm	4PCS

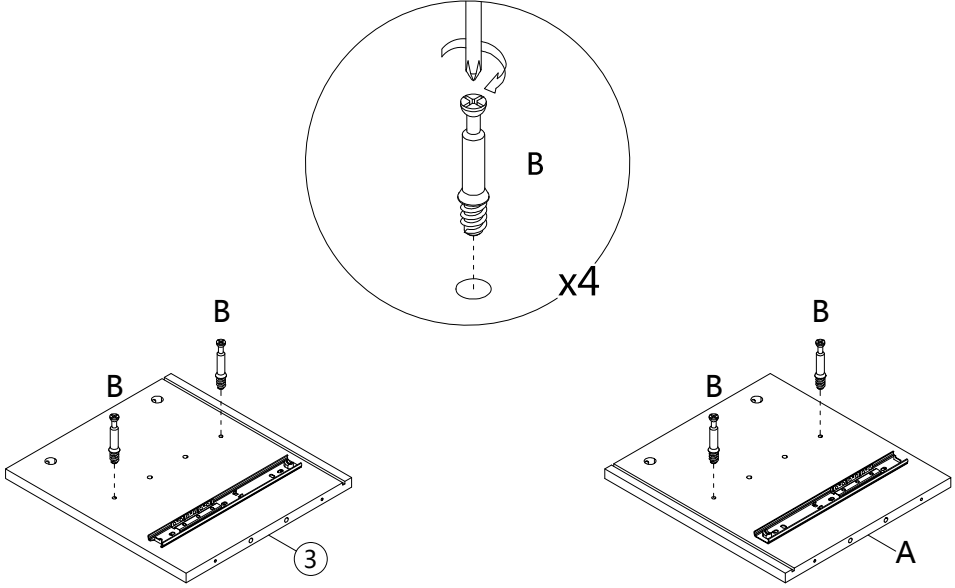
1



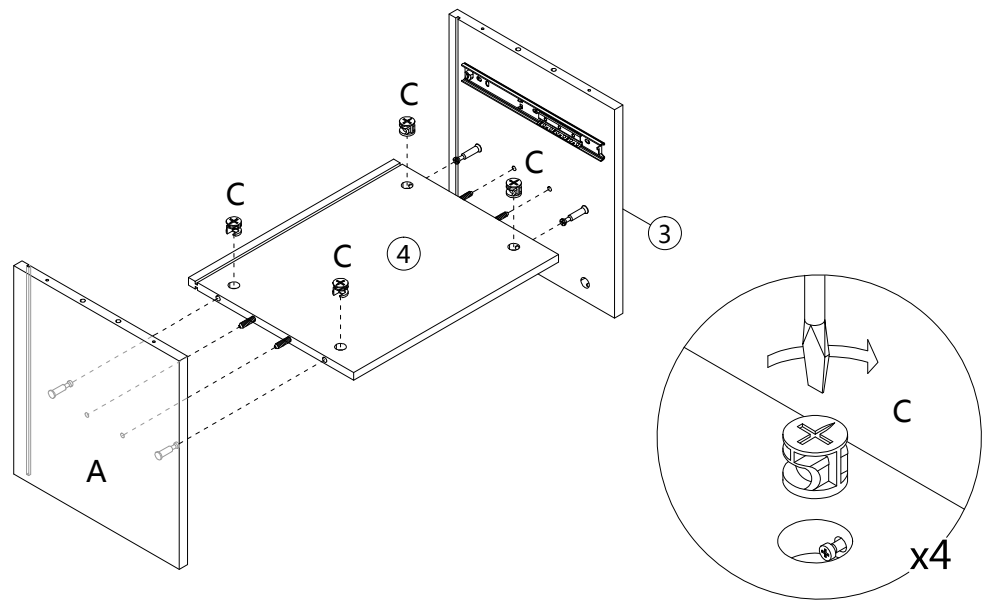
ϕ 15x9mm	4x40mm	6x30mm	3x12mm	250mm	248mm	4x18mm
C 12PCS	D 10PCS	E 22PCS	F 12PCS	G 2PCS	H 2PCS	I 2PCS
96mm	6x45mm	ϕ 10mm	ϕ 12mm	M4mm	4x30mm	4x35mm
J 1PC	K 8PCS	L 8PCS	M 8PCS	N 1PC	O 16PCS	P 8PCS
ϕ 20mm	3x14mm	ϕ 10mm	ϕ 10mm	6x30mm	ϕ 20mm	ϕ 20mm
Q 4PCS	R 10PCS	S 8PCS	T 2PCS	U 2PCS	V 2PCS	W 4PCS

6x35mm
B | 12PCS

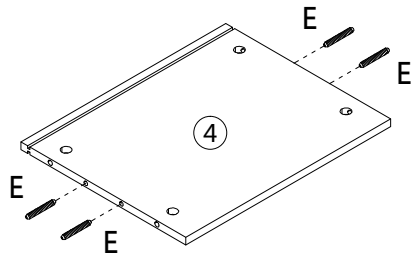
2



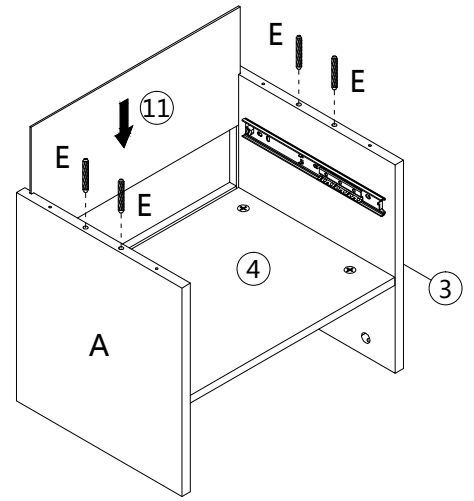
4



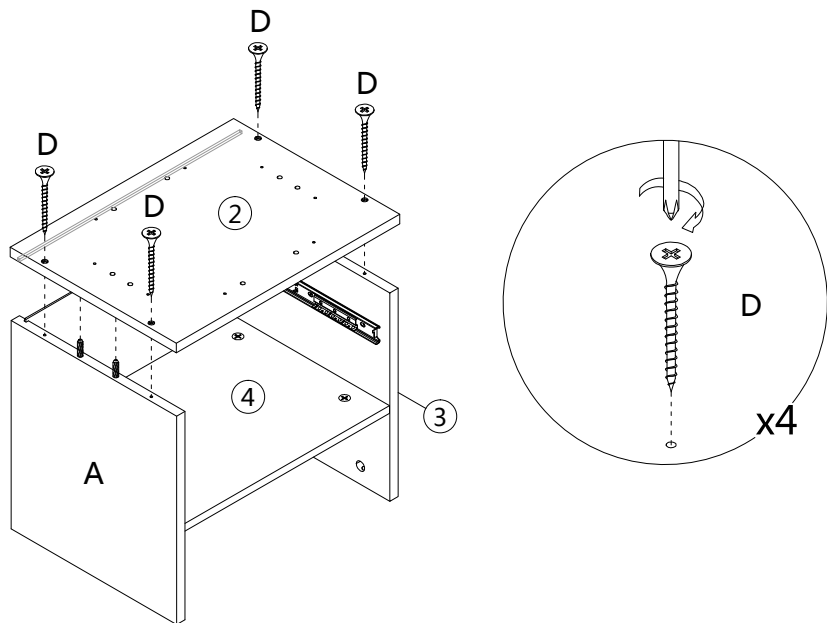
3



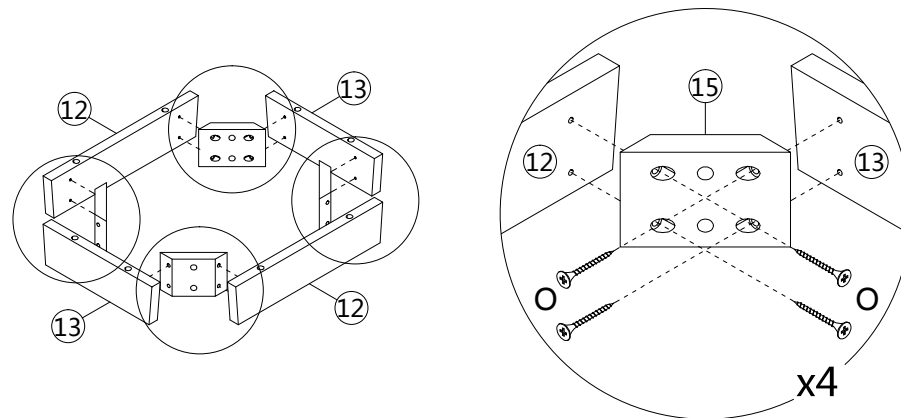
5



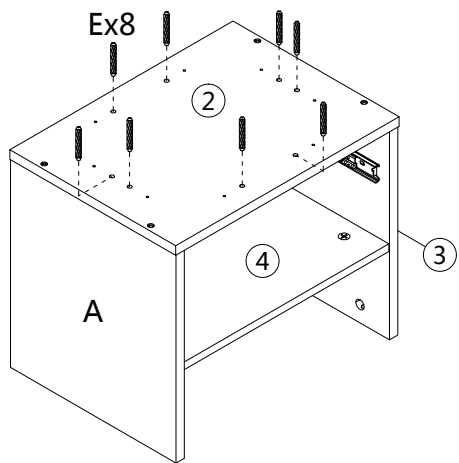
6



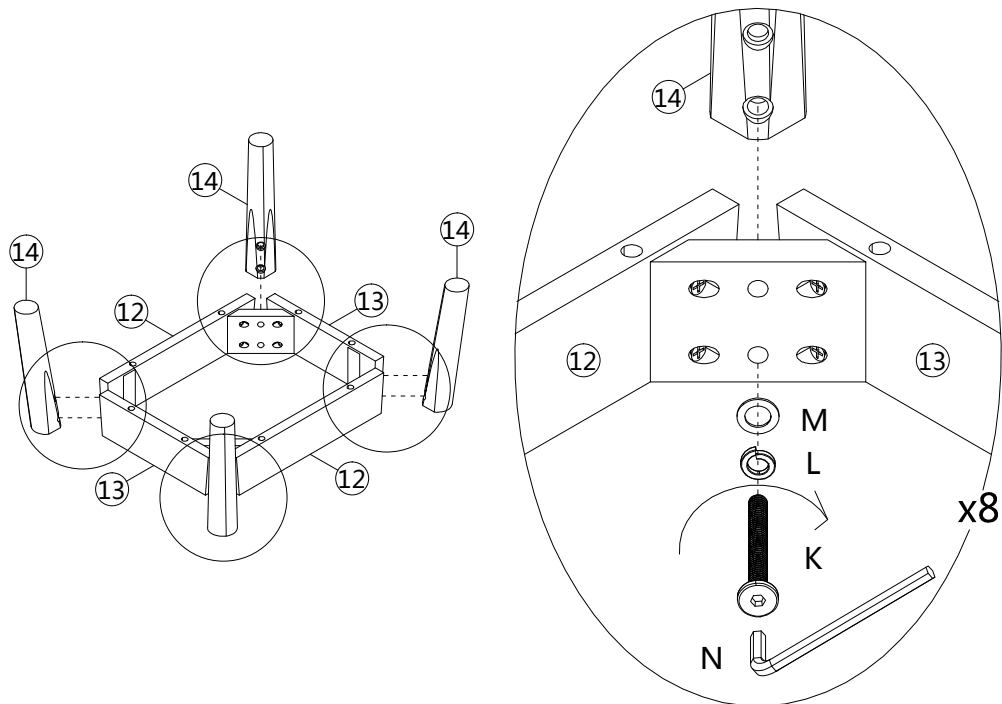
8



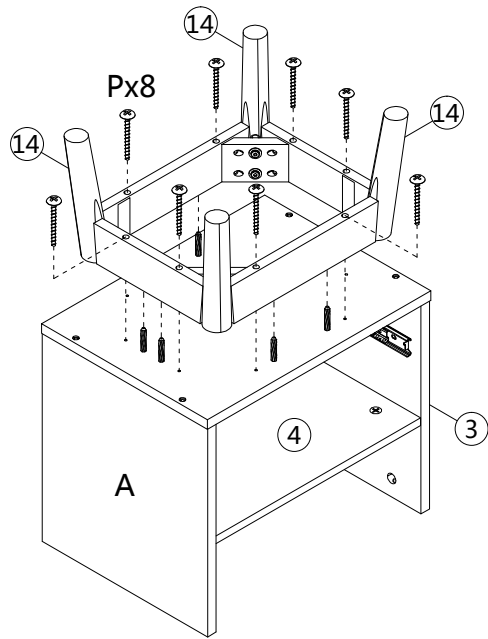
7



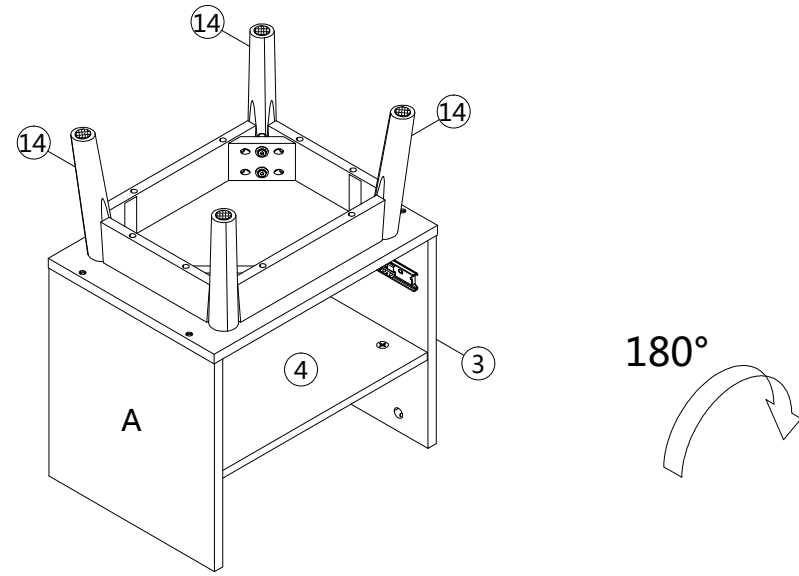
9



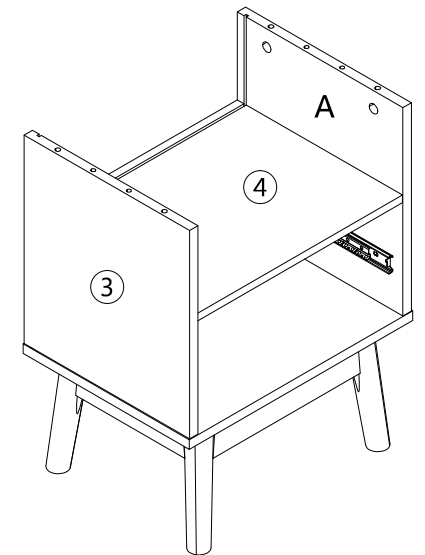
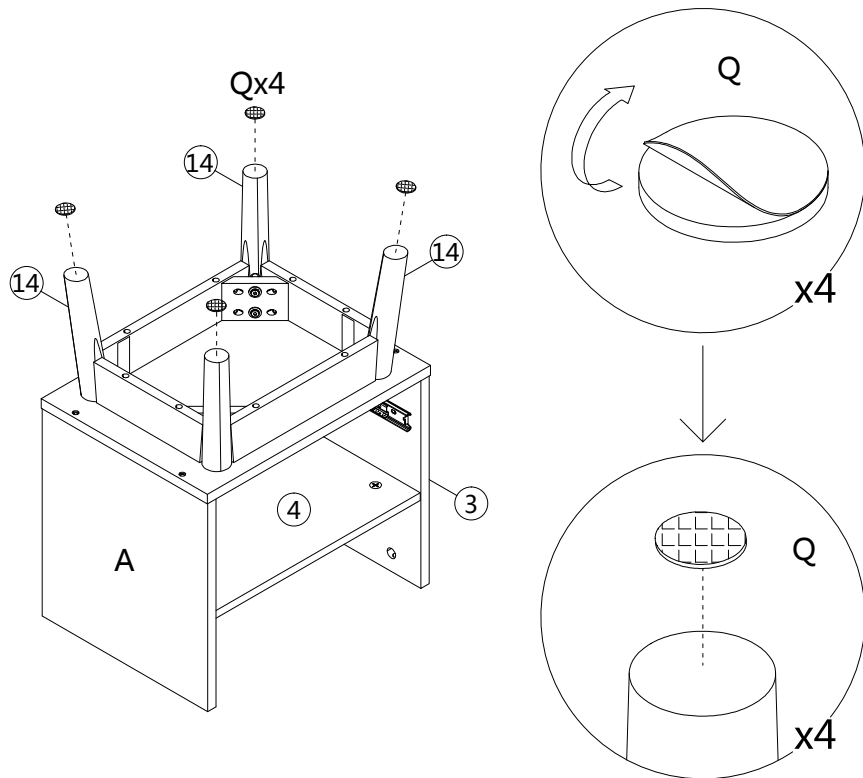
10



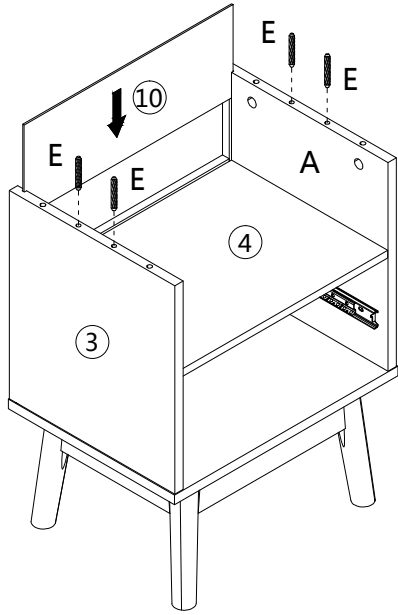
12



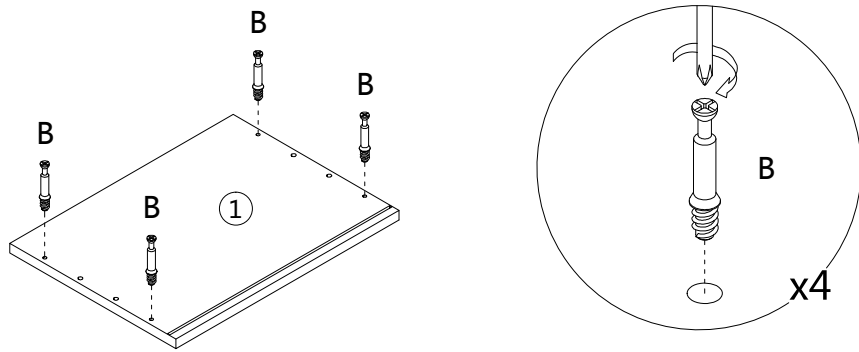
11



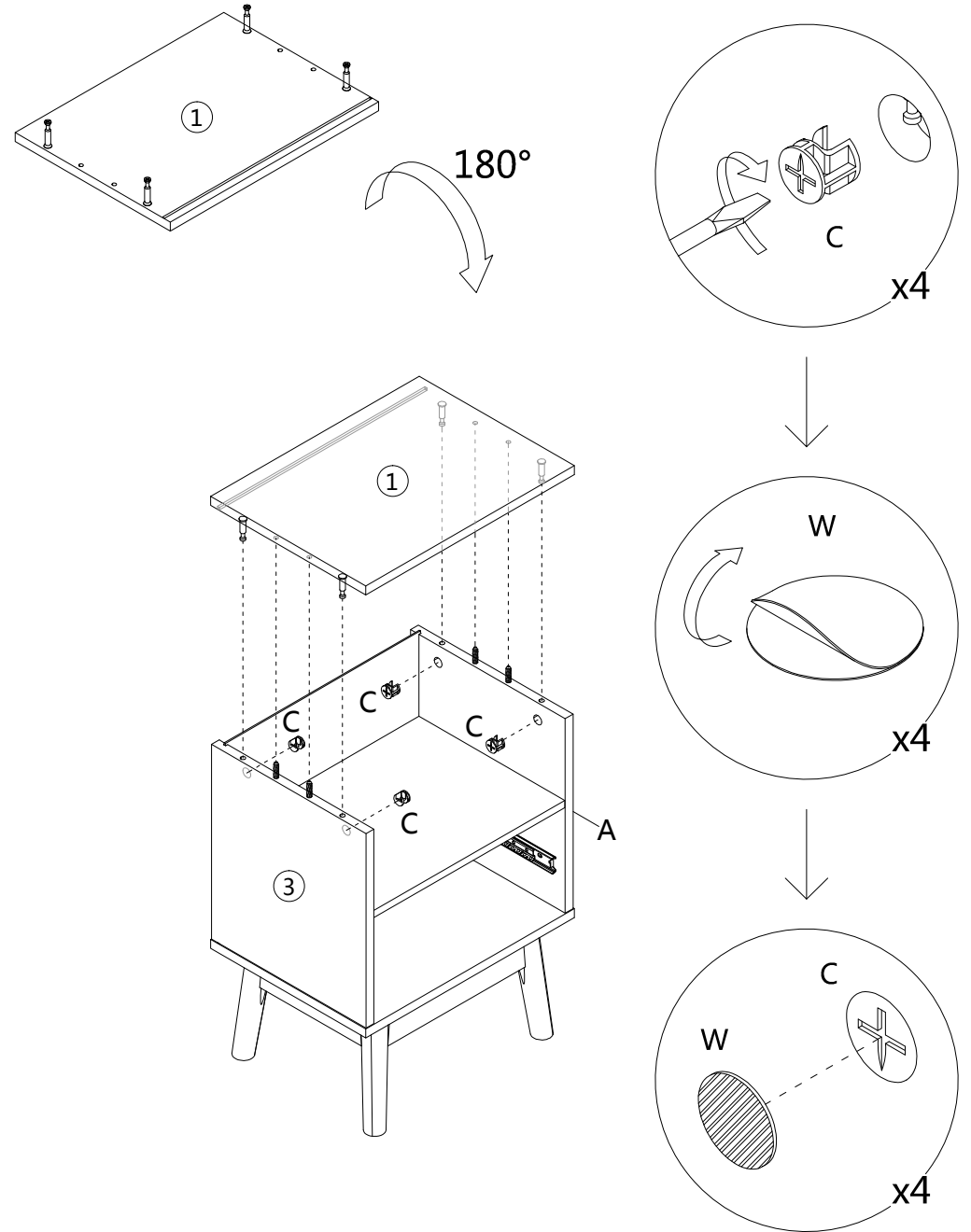
13



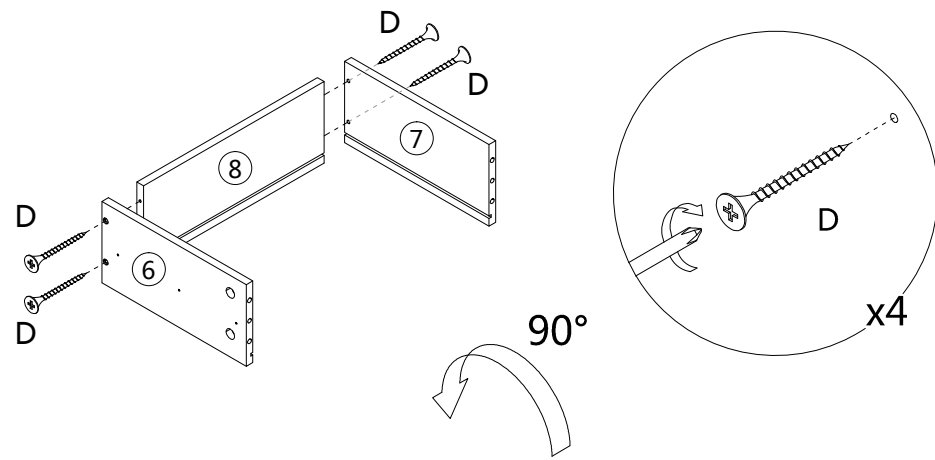
14



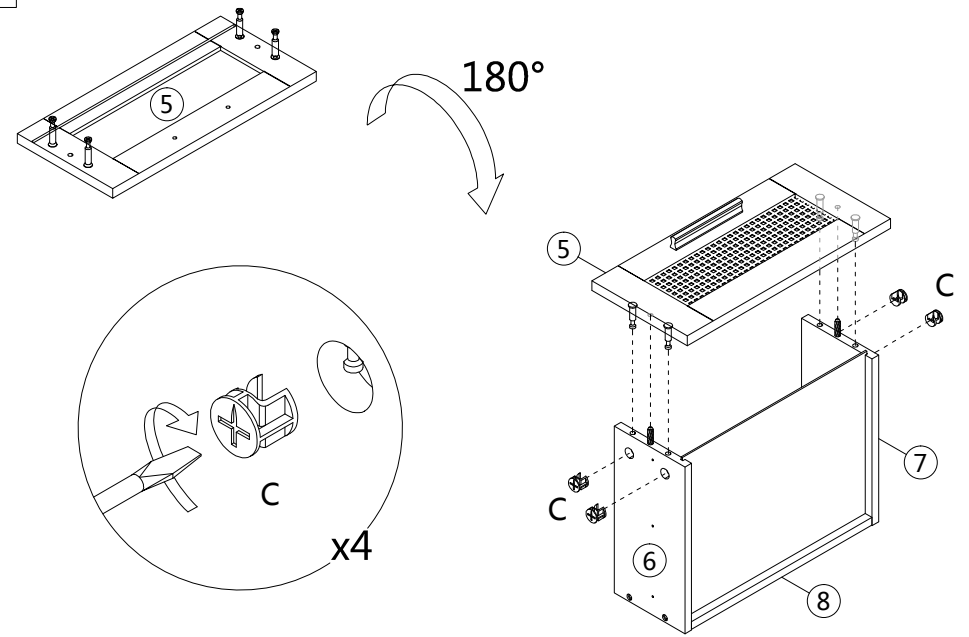
15



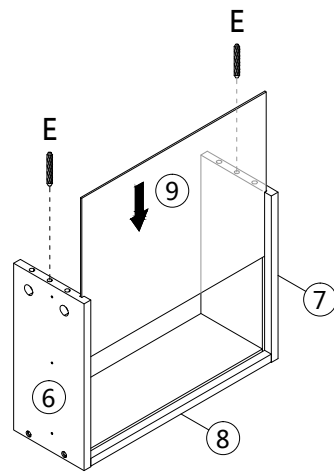
16



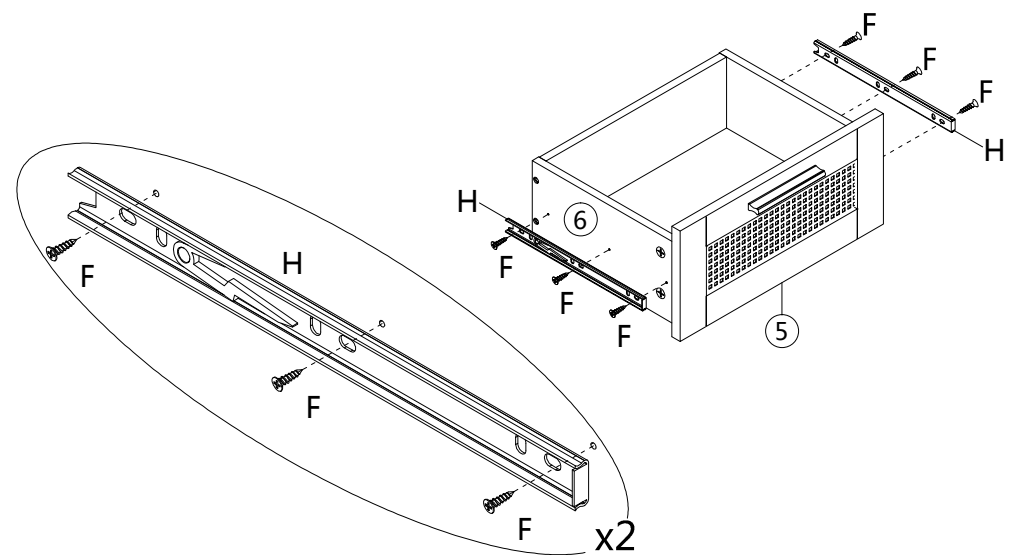
19



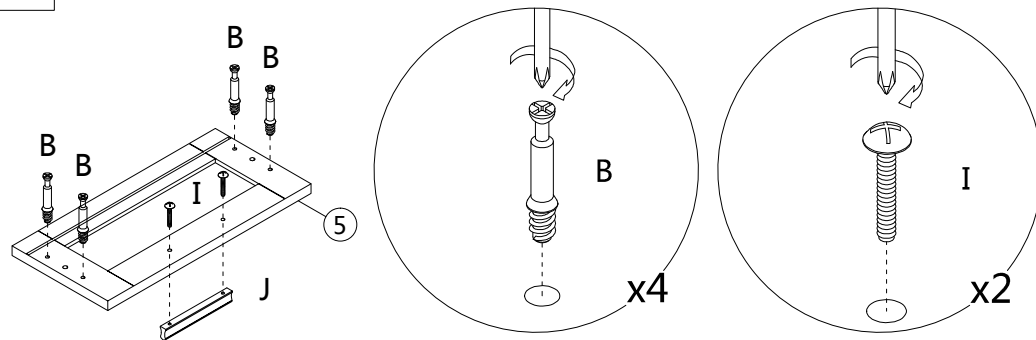
17



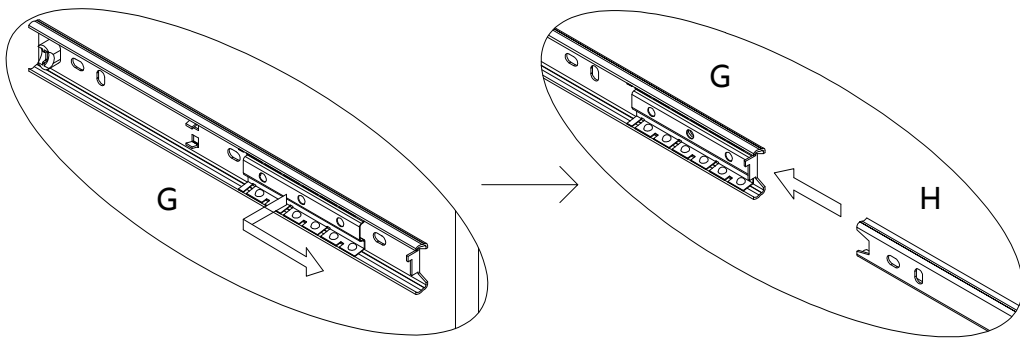
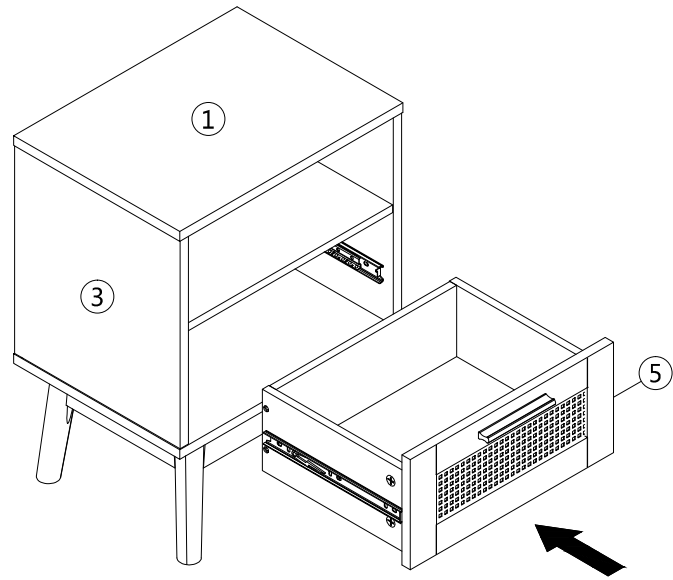
20



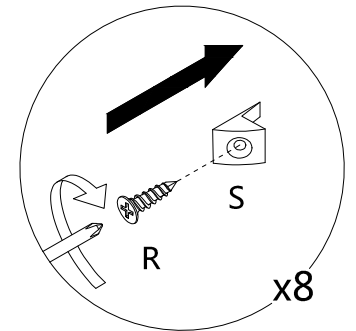
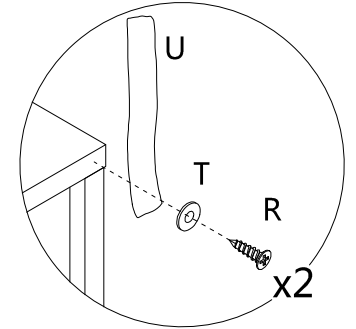
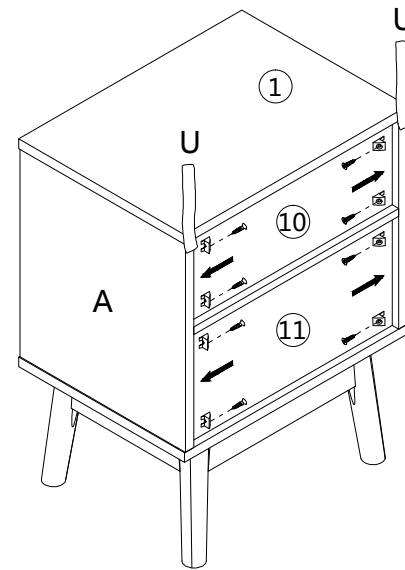
18



21

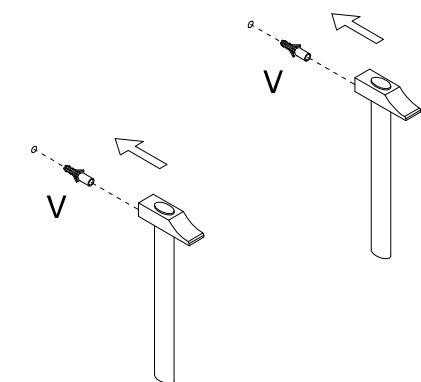


22

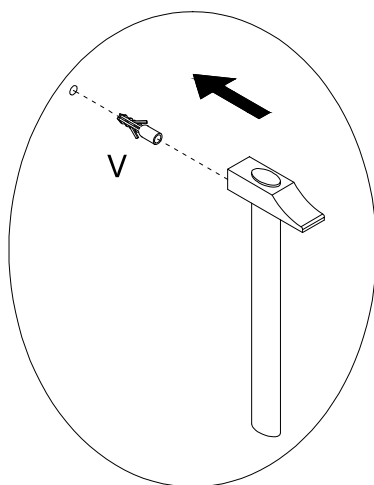
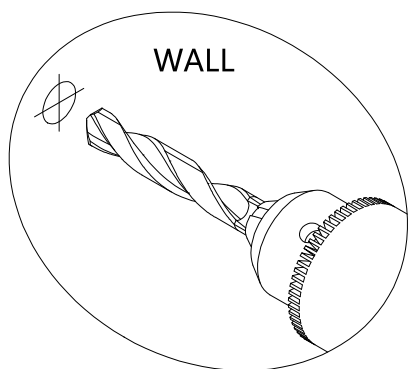


23

WALL



Pre-drilled holes at wall



24

WALL

It is strongly recommended to mount the cabinet to the wall with supplied mounting parts. Otherwise, please skip this step. The warning sticker on the furniture is a mandatory requirement in Australia, and it can be removed by wet cloth.

