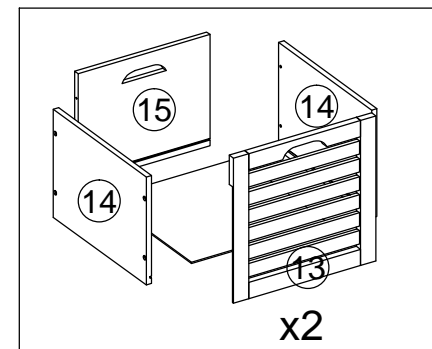
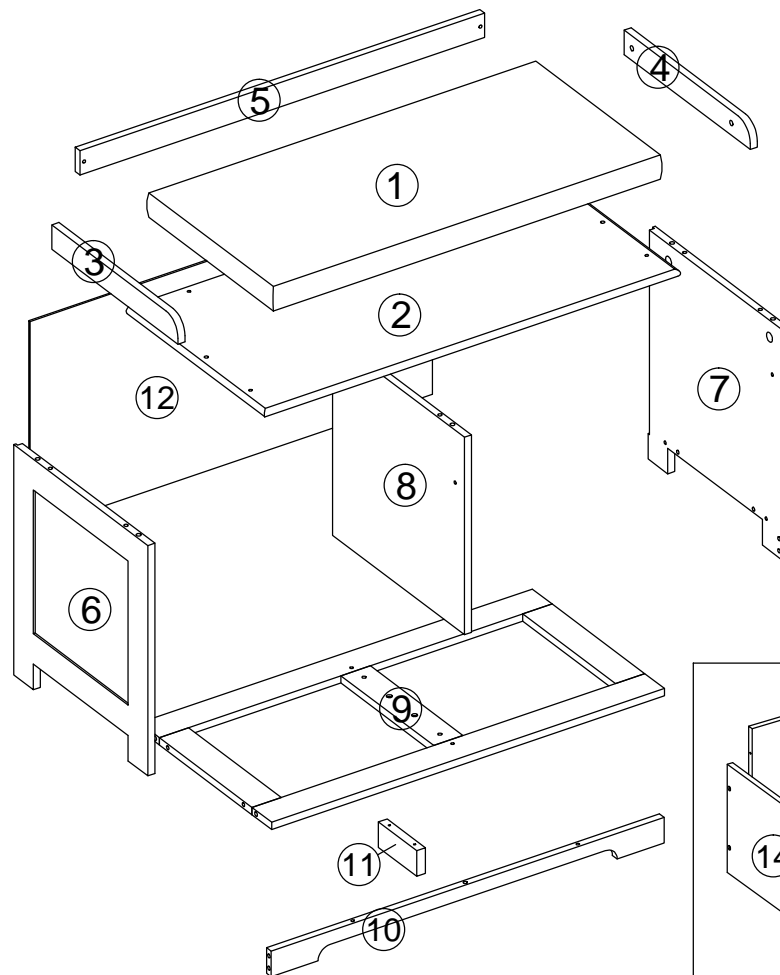
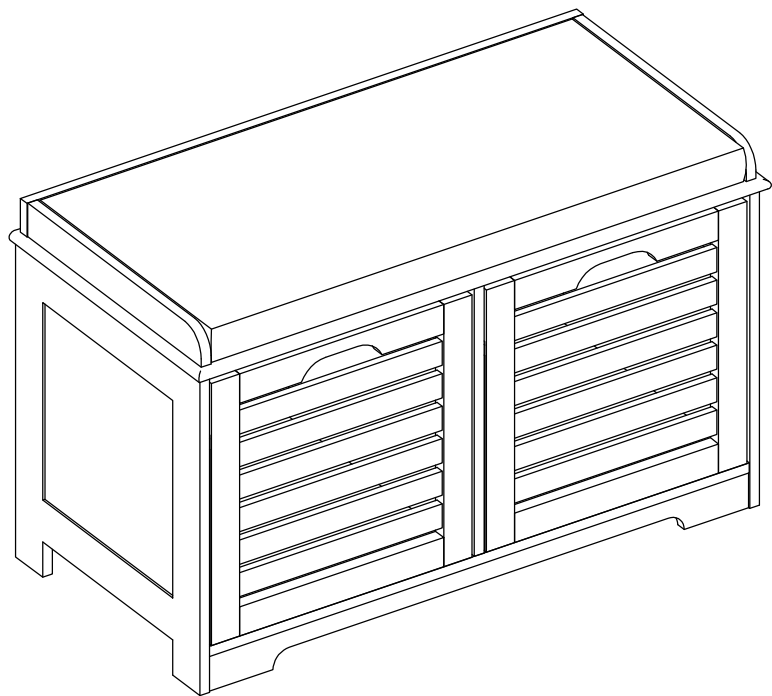













MODEL:FURNI-F-SH127-WH-GY



<p><b>A</b></p>  <p>Ø4x40mm x11pcs</p>	<p><b>B</b></p>  <p>M6x35mm x10pcs</p>	<p><b>C</b></p>  <p>Ø6x30mm x21pcs</p>	<p><b>D</b></p>  <p>M6x28mm x4pcs</p>	<p><b>E</b></p>  <p>Ø3x25mm x16pcs</p>	<p><b>F</b></p> <p>hole sticker</p>  <p>x4pcs</p>	<p><b>G</b></p>  <p>Ø2.5x10mm x16pcs</p>	<p><b>H</b></p>  <p>Ø15x9mm x10pcs</p>	<p><b>I</b></p>  <p>40x12mm x5pcs</p>	<p><b>J</b></p>  <p>Ø9x9mm x6pcs</p>	<p><b>K</b></p>  <p>Ø4x25mm x4pcs</p>
---	---	---	--	---	--	---	---	--	---	--

# Assembly checklist



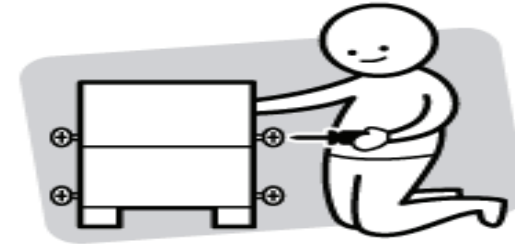
Read through the instructions carefully before you begin.



Make sure you have all the required tools. Do not use power tools.



Identify and lay out all of the components before you begin assembly.



Do not fully tighten all screws until step/ process finished.

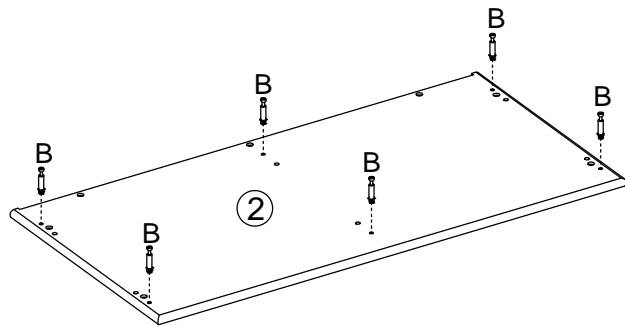
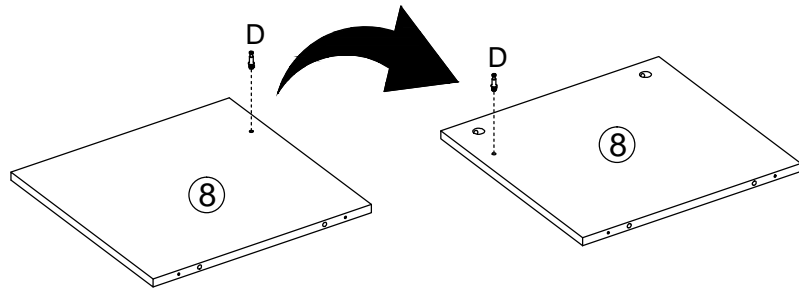
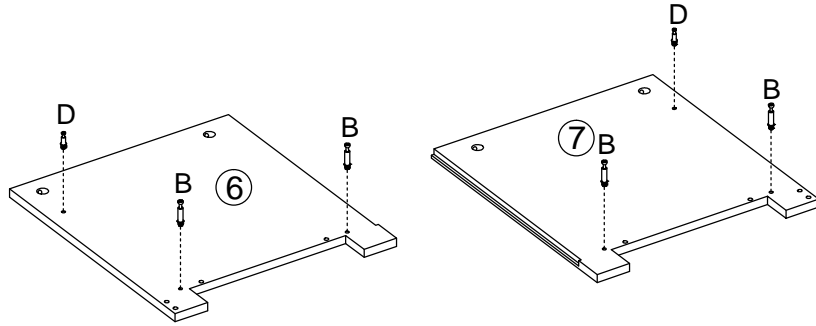
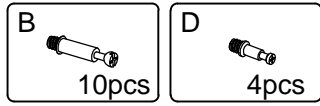
## Useful Information

! Never use power tools, they can damage your components or hardware if used incorrectly.

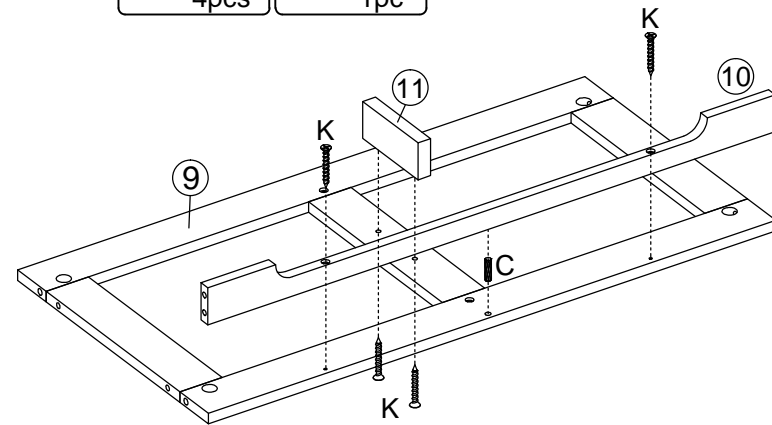
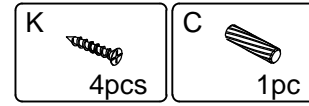
! The most common mistakes made during assembly are using the wrong hardware or getting components back to front.

! Always use a soft surface (such as carpet or cardboard) when assembling your product to avoid scratching or damaging the surface of the product.

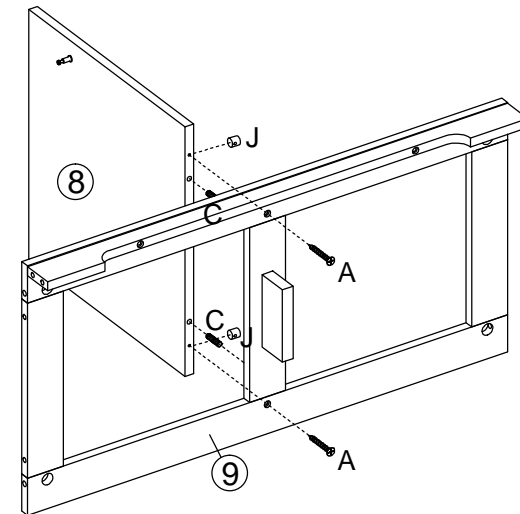
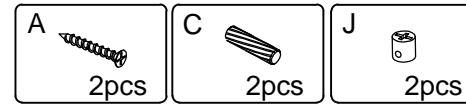
### Step 1



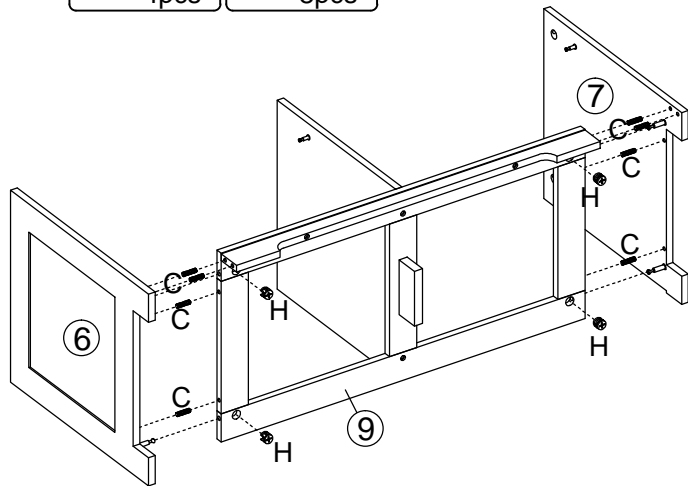
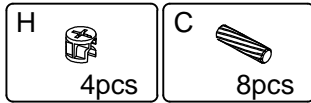
### Step 2



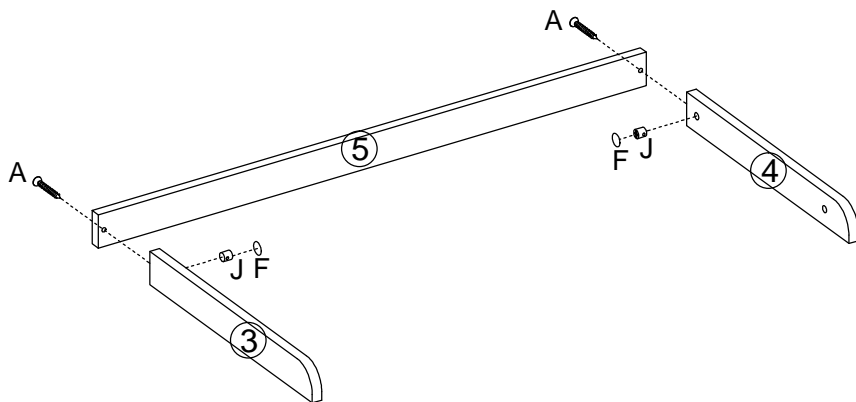
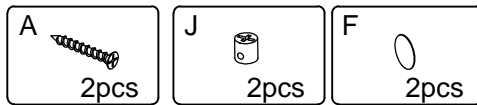
### Step 3



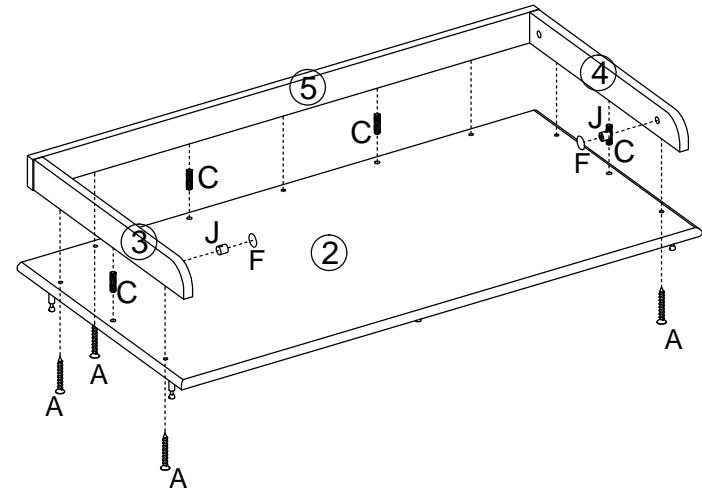
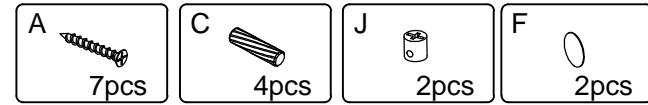
### Step 4



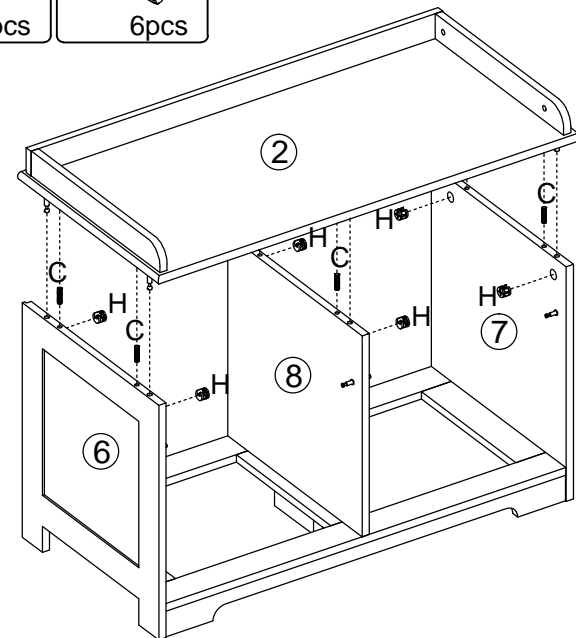
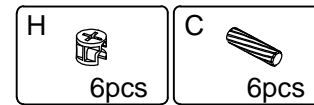
### Step 5



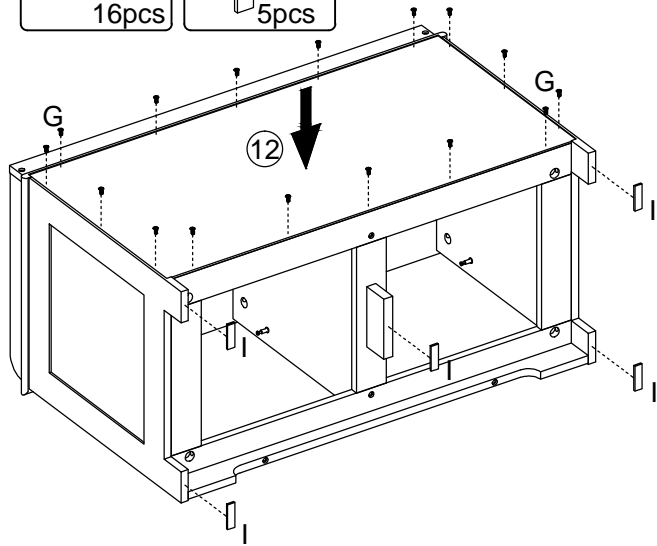
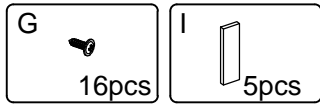
### Step 6



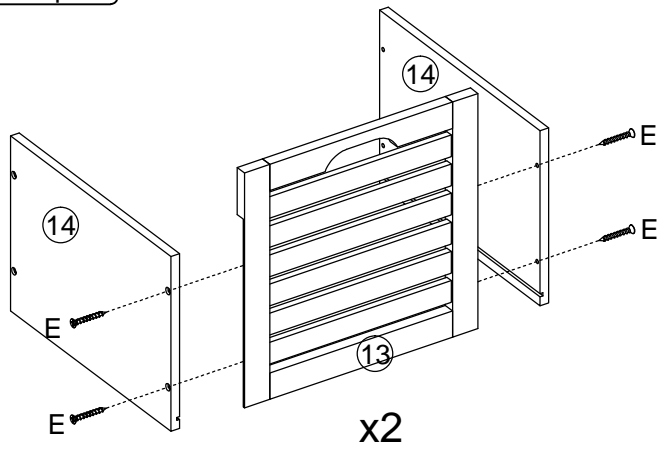
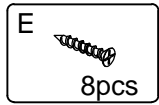
### Step 7



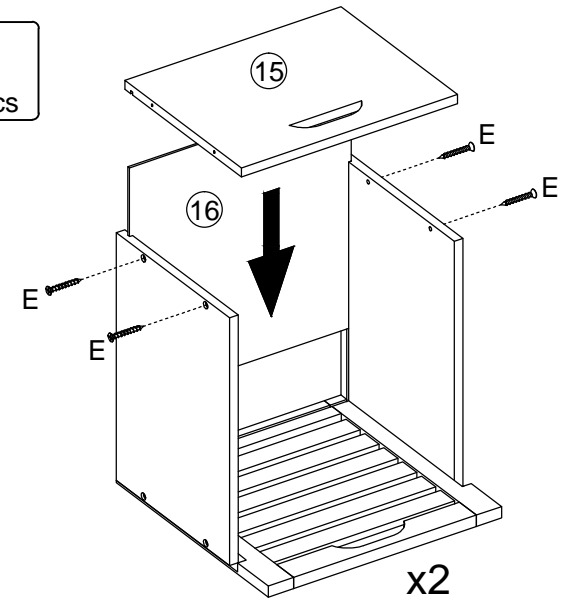
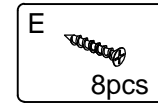
Step 8



Step 9



Step 10



Step 11

