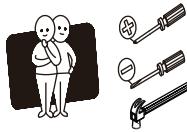
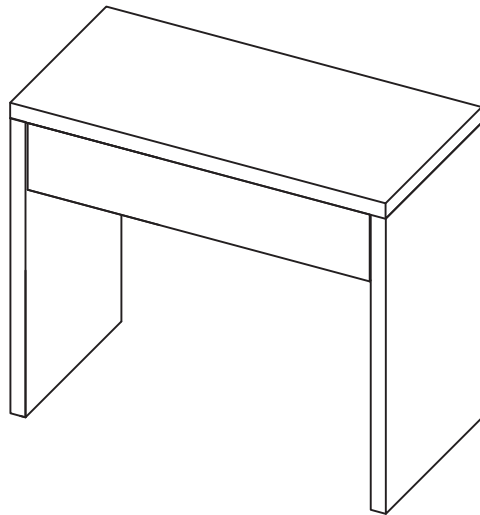


ARTISS

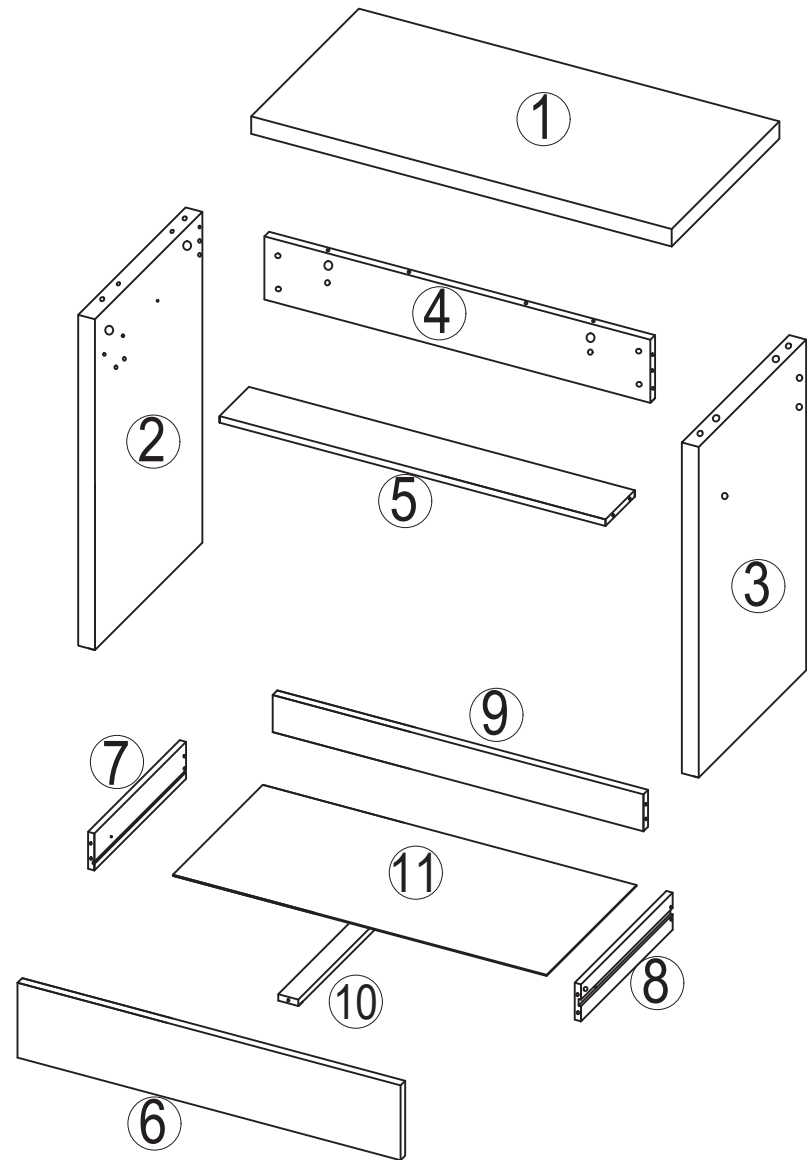
MODEL:FURNI-E-TAB-01-WHWD



Two persons and tools required for assembly



A	x9	B	x7	C	x12	D	x5	E	x6	F	x2
							4x40mm				
G	x2	H	x6	I	x6	J	x6	K	x2	L	x4
	4x10mm		3x12mm		5x60mm						
M	x2	N	x2	O	x2						
			4x30mm		3x14mm						



ASSEMBLY CHECKLIST



Read the instructions carefully before beginning assembly.



Make sure that you have all the required tools.
Do not use power tools.



Identify and lay out all the components before starting to assemble.

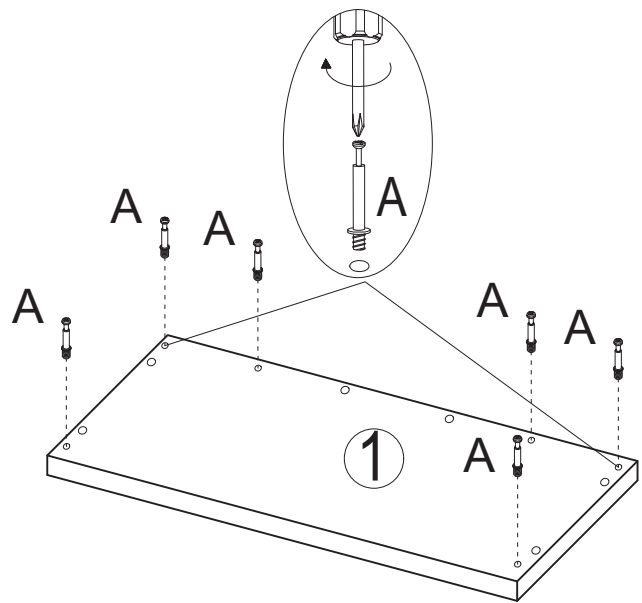



Do not fully tighten all screws until the step/process has been completed.

ATTENTION

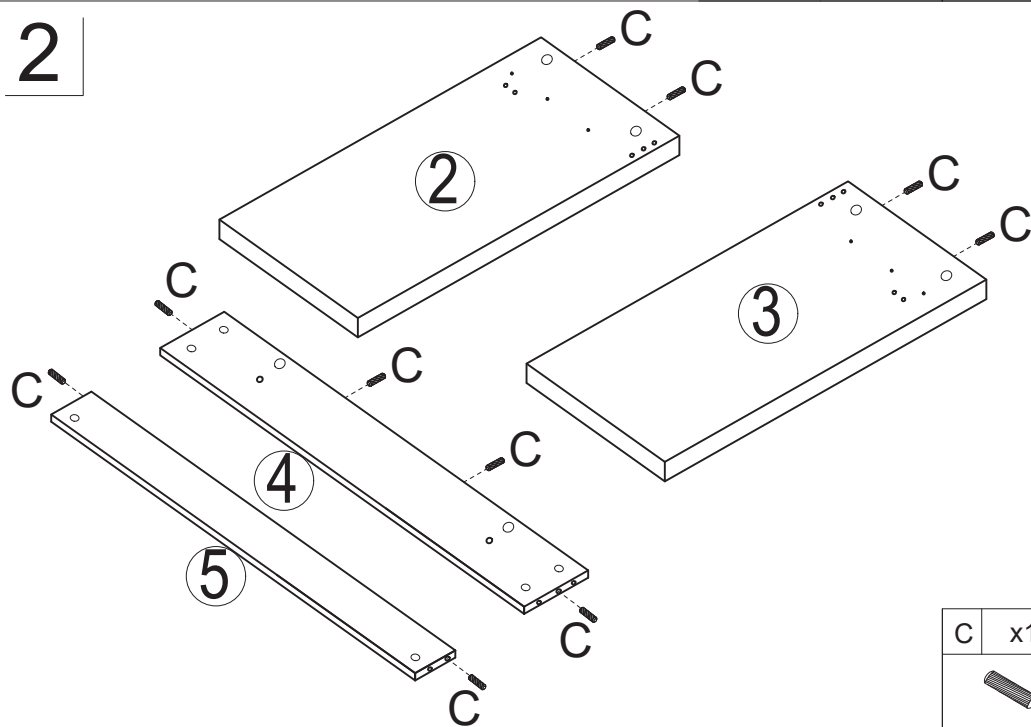
- Never use power tools. They can damage the components or hardware if used correctly.
- The most common mistakes made during assembly are using the wrong hardware or getting components back to front.
- Always use a soft surface (such as a carpet or cardboard) to assemble the product on to avoid scratching or damaging the finish of the product.


1



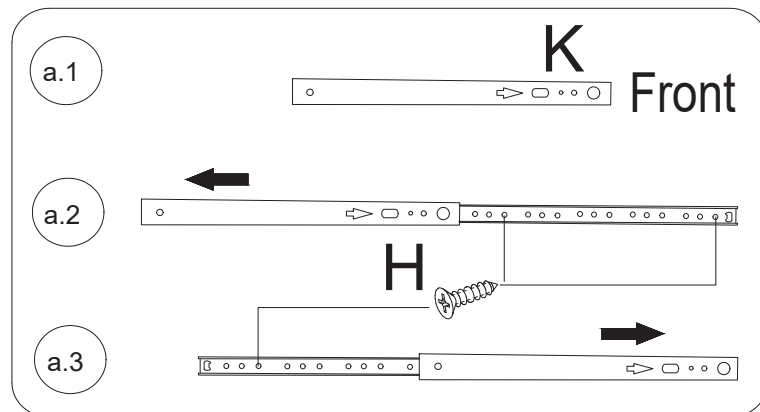
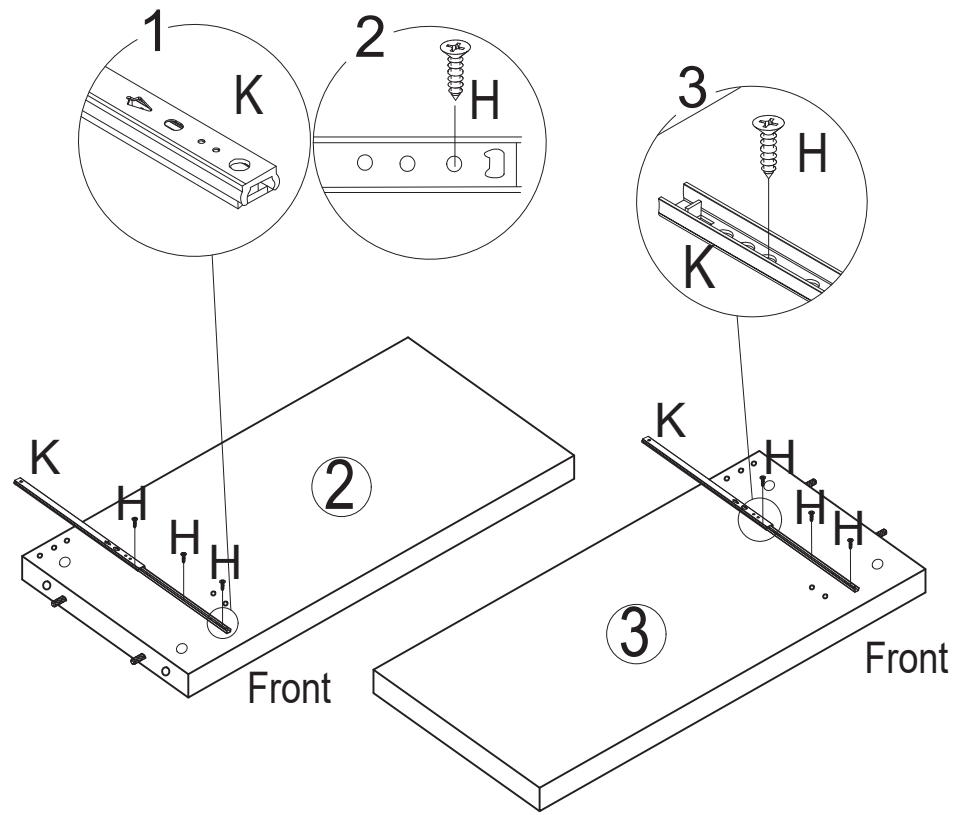
A	x6
	



2



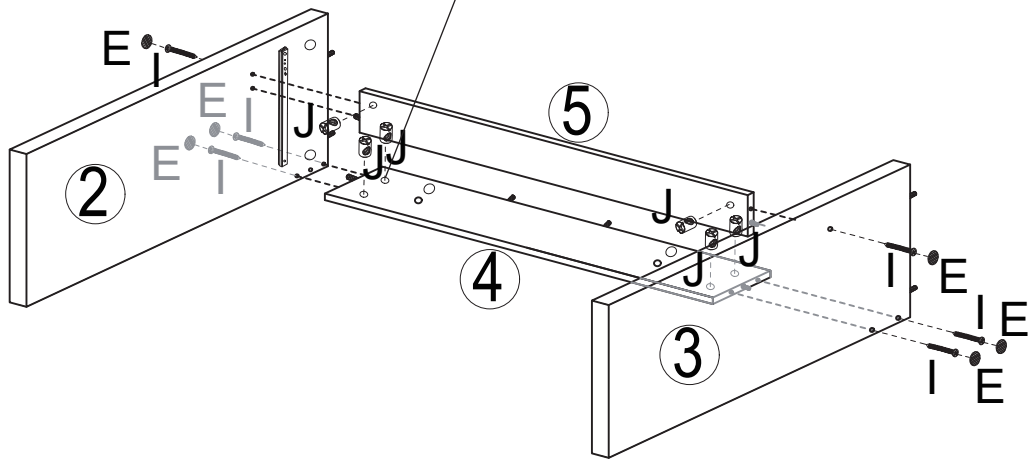
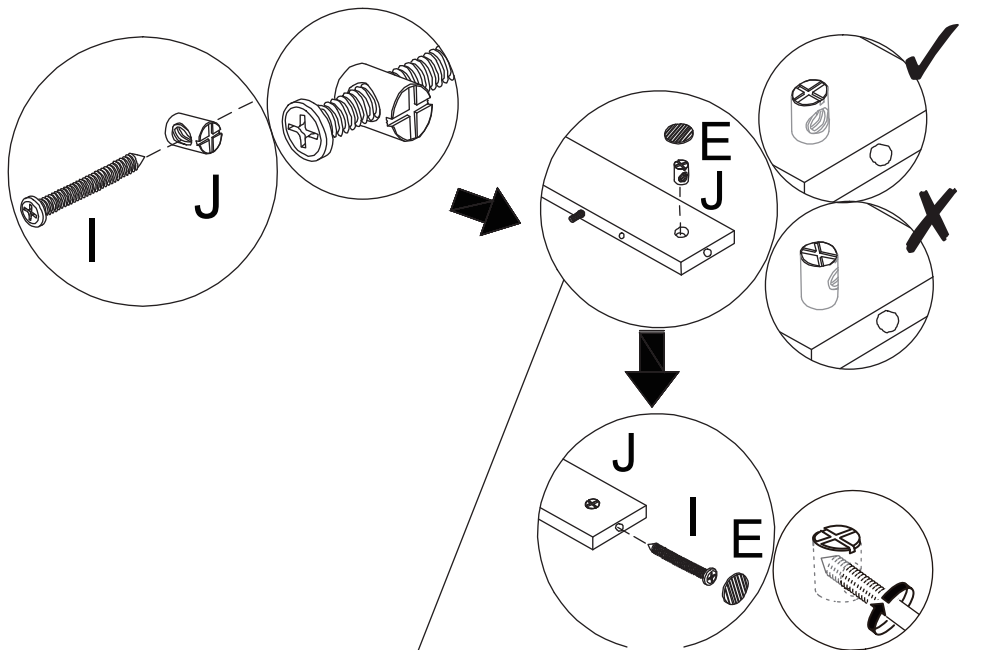
C	x10
	




3



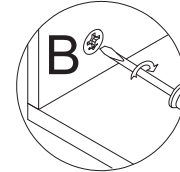
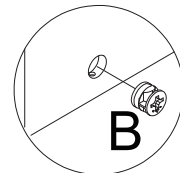
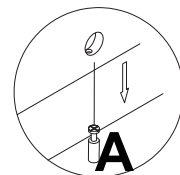
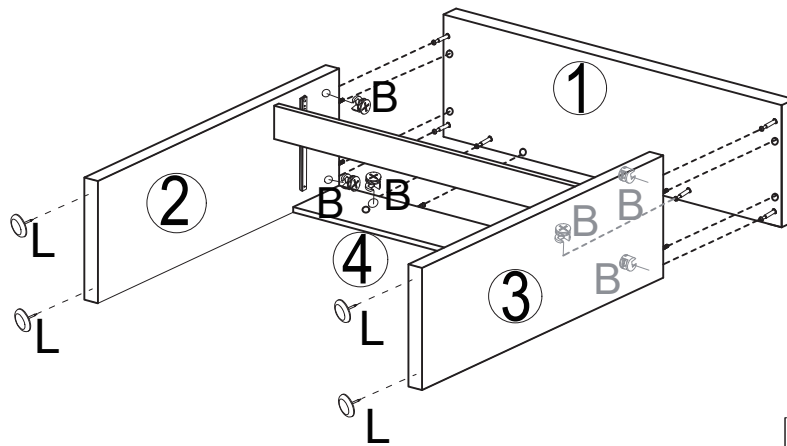
K	x2	H	x6
			
3x12mm			



4



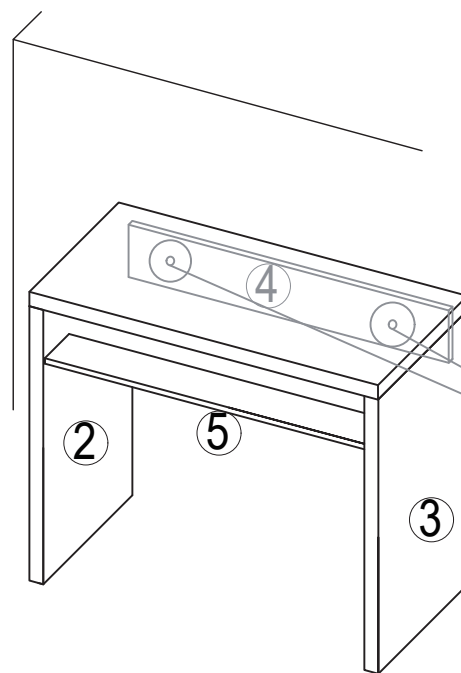
E	x6	I	x6	J	x6
			5x60mm		

5

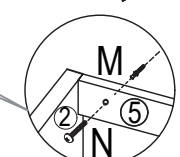
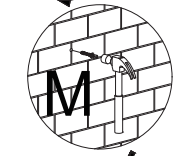




L	x4	B	x6
			

6

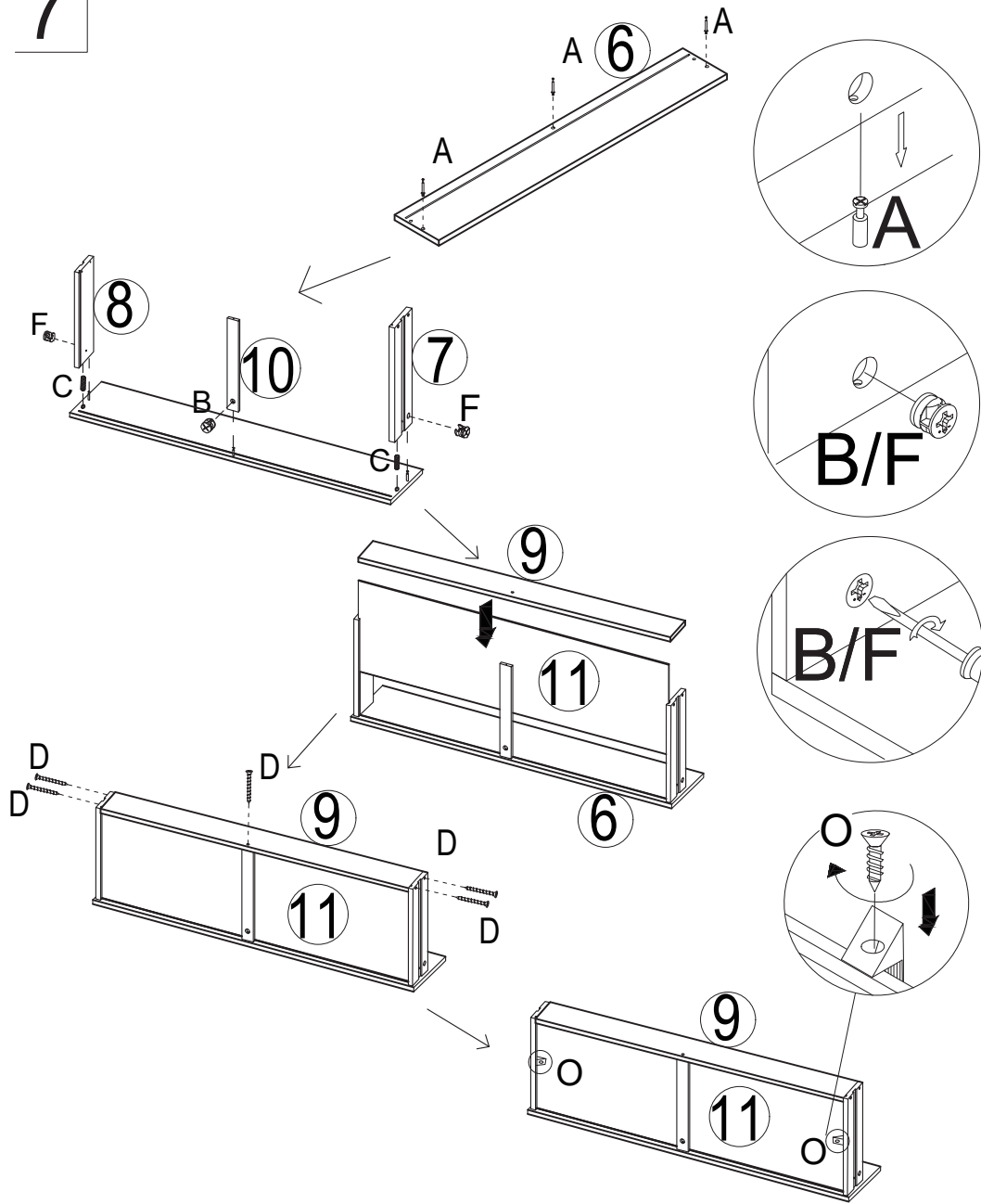


Pre-drill hole in wall



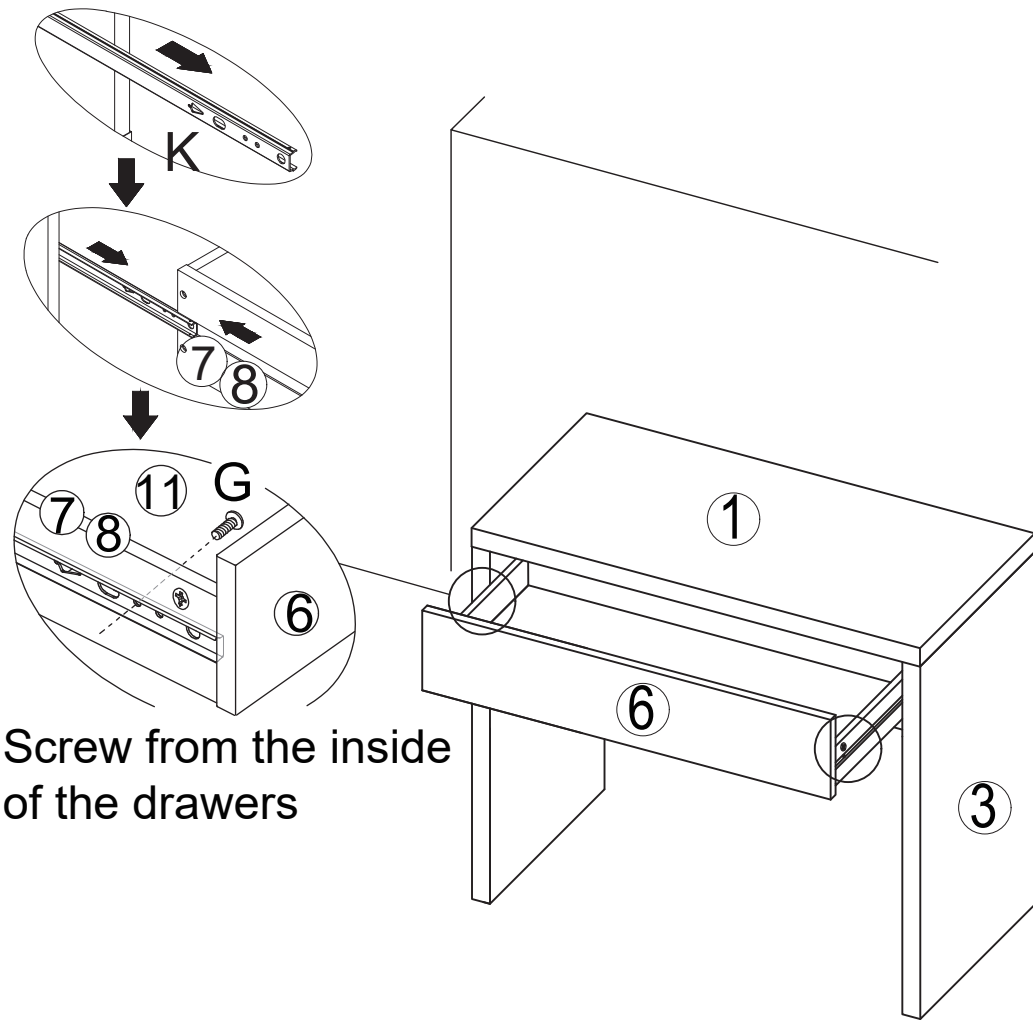
M	x2	N	x2
			4x30mm

7



C	x2	A	x3	D	x5	B	x1	O	x2	F	x2
					4x40mm				3x14mm		

8



Screw from the inside of the drawers

G	x2
	4x10mm