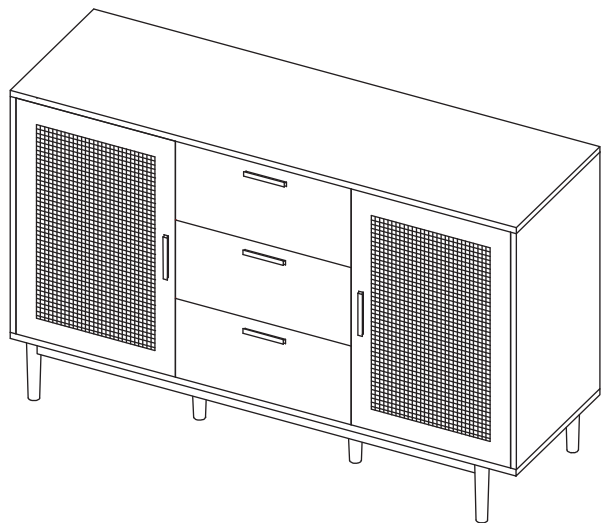
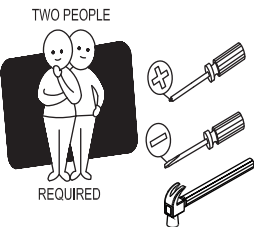
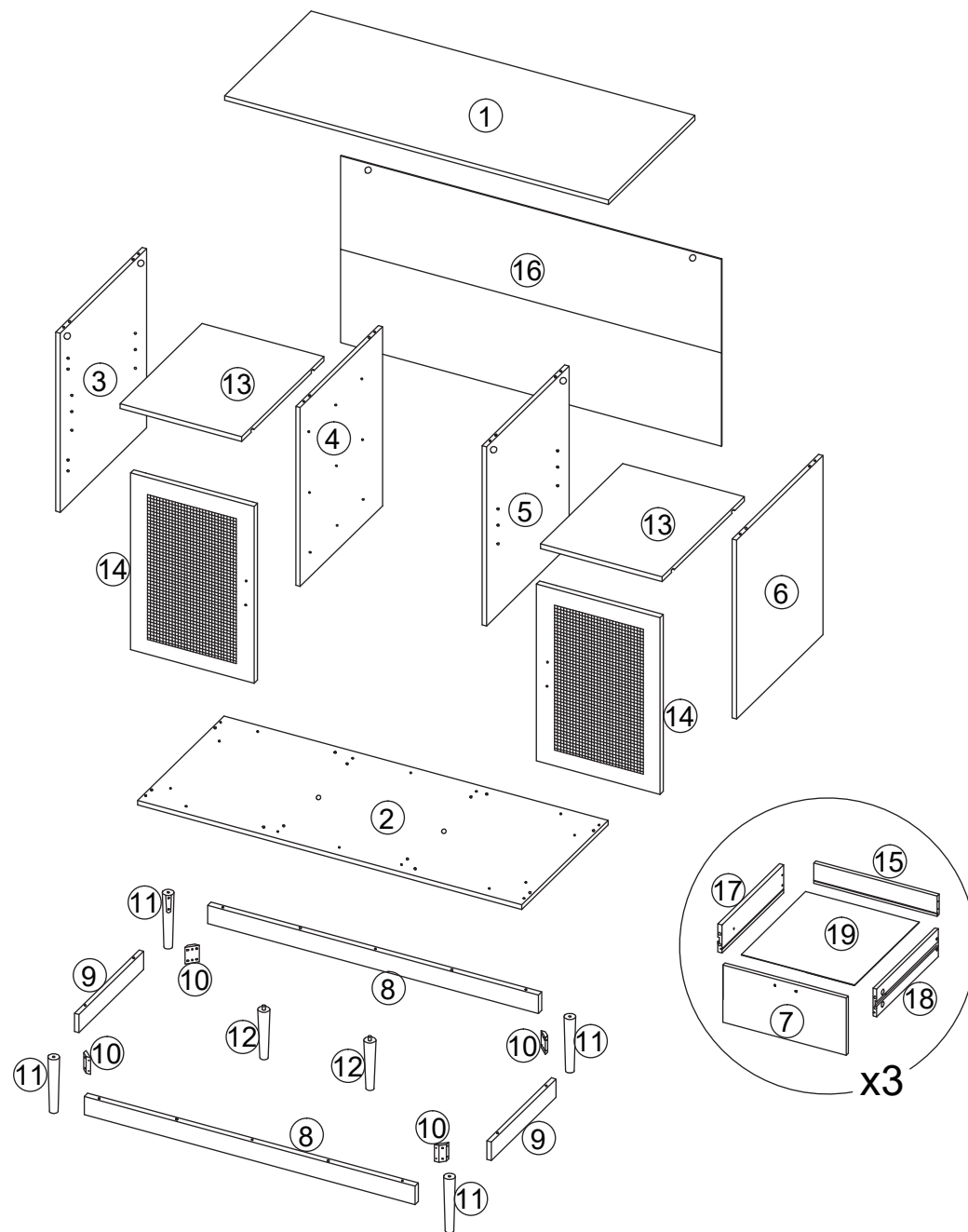


ARTISS

MODEL:FURNI-E-RAT-SID-3D-WD-A/B



A	x20	B	x8	C	x20	D	x30	E	x16	F	x8	Y	x12
			4x40mm	3.5x14mm									
G	x4	H	x18	I	x1	J	x8	K	x4	L	x2	Z	x6
M	x22	N	x2	O	x8	P	x2	Q	x8	R	x5		
	4x14mm												
S	x10	T	x16	U	x2	V	x2	W	x6	X	x18		
4x18mm	4x25mm		4x30mm		3x12mm								



Assembly checklist



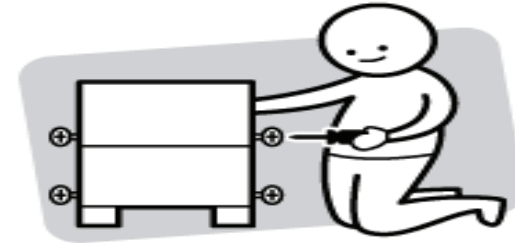
Read through the instructions carefully before you begin.



Make sure you have all the required tools. Do not use power tools.



Identify and lay out all of the components before you begin assembly.



Do not fully tighten all screws until step/ process finished.

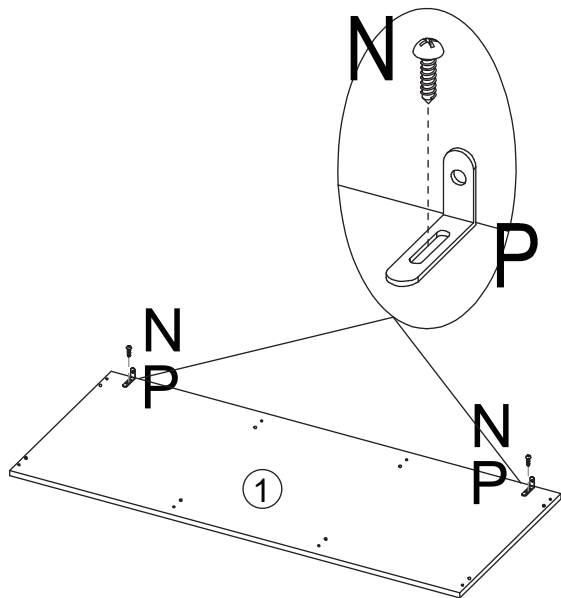
Useful Information

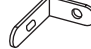

! Never use power tools, they can damage your components or hardware if used incorrectly.

! The most common mistakes made during assembly are using the wrong hardware or getting components back to front.

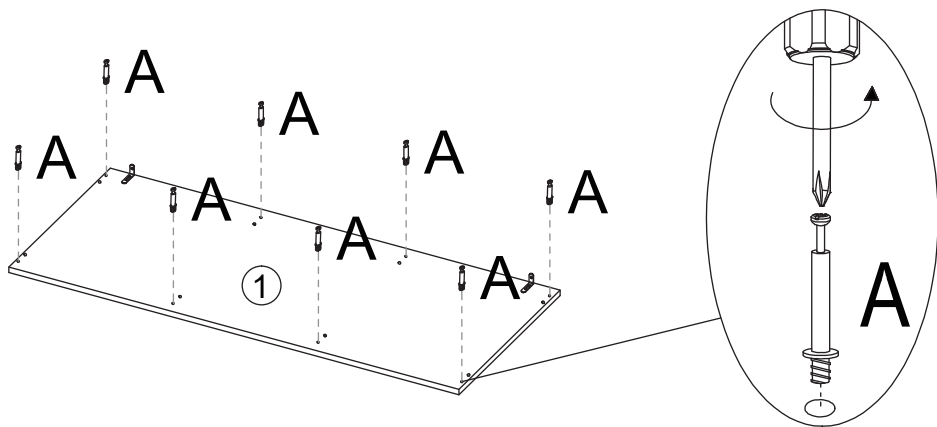
! Always use a soft surface (such as carpet or cardboard) when assembling your product to avoid scratching or damaging the surface of the product.


1



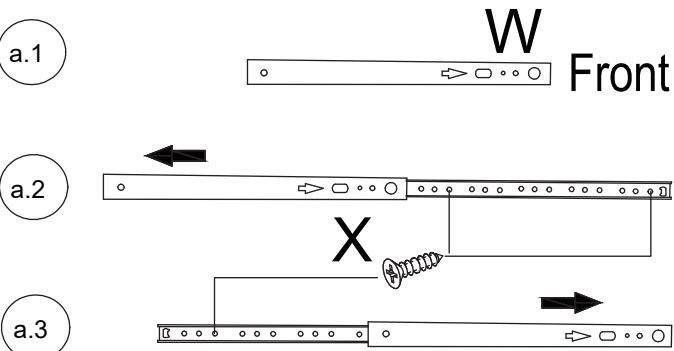
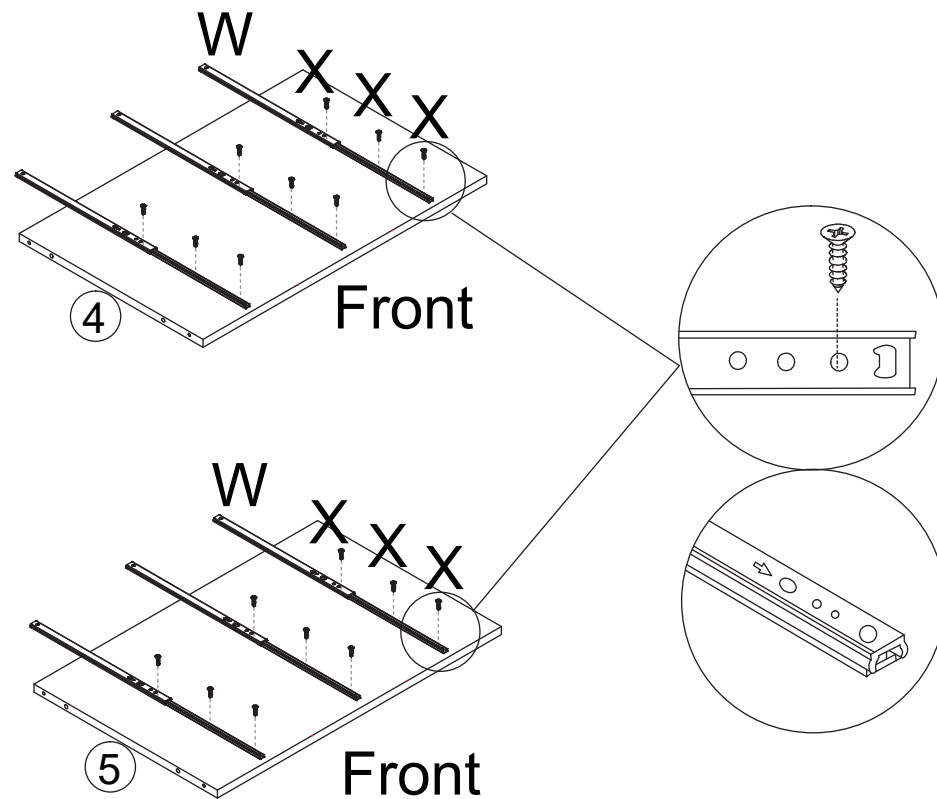
P	x2	N	x2
			4x14mm



2



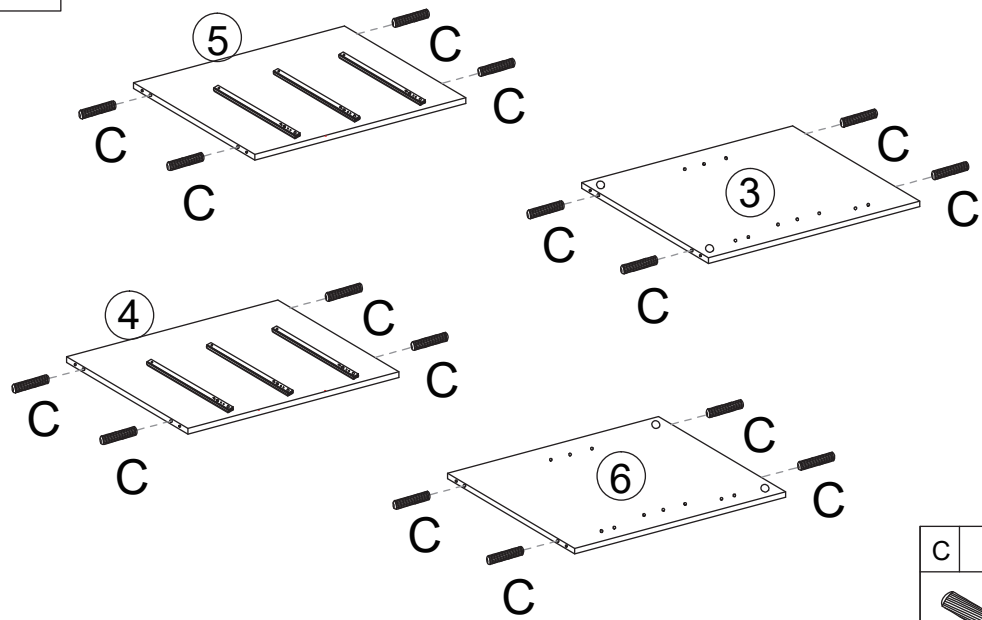
A	x8
	

3



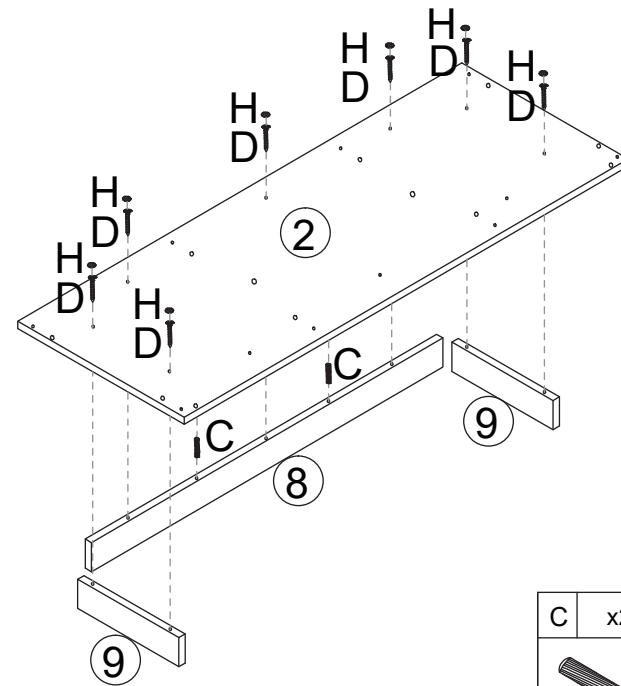
W	x6	X	x18
			3x12mm

4



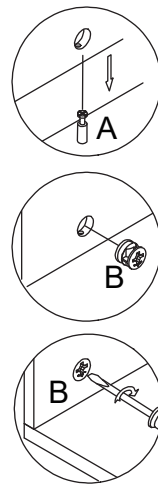
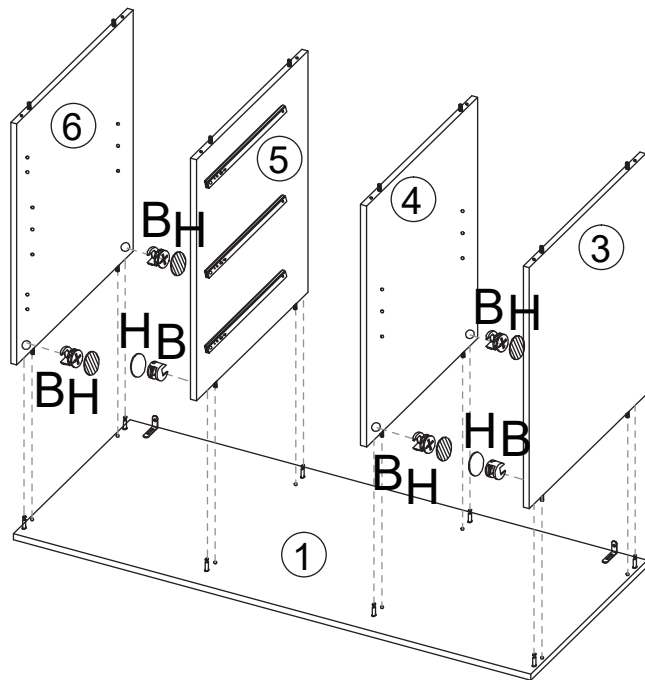
C	x16

6



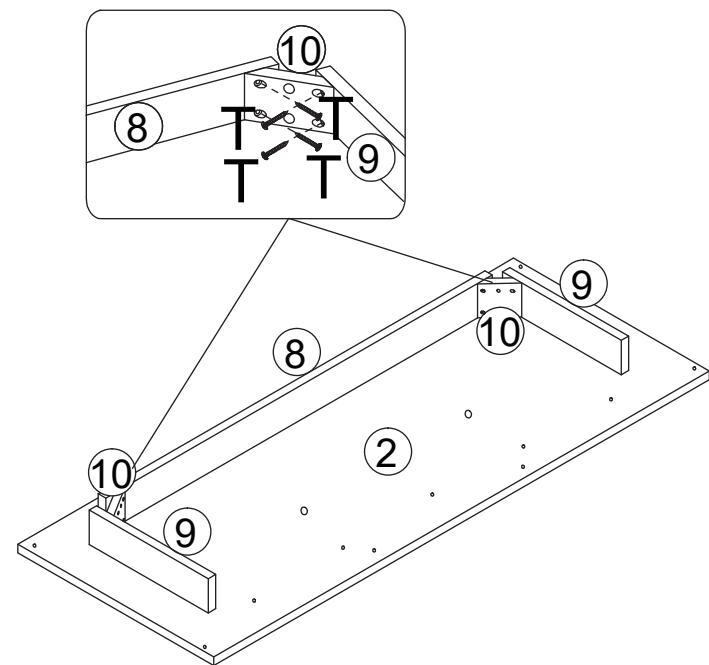
C	x2	D	x7	H	x7
		4x40mm			

5



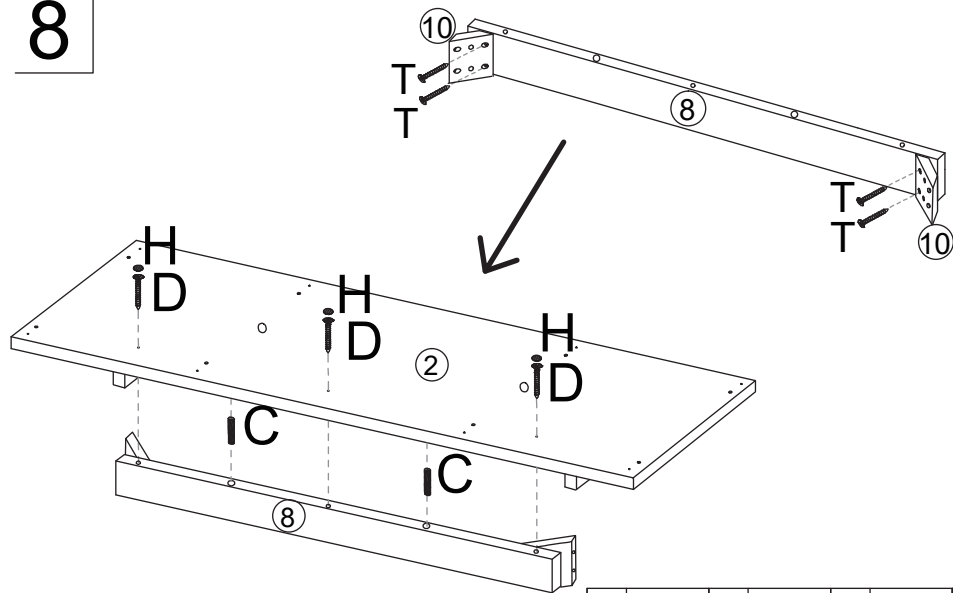
B	x8	H	x8





7



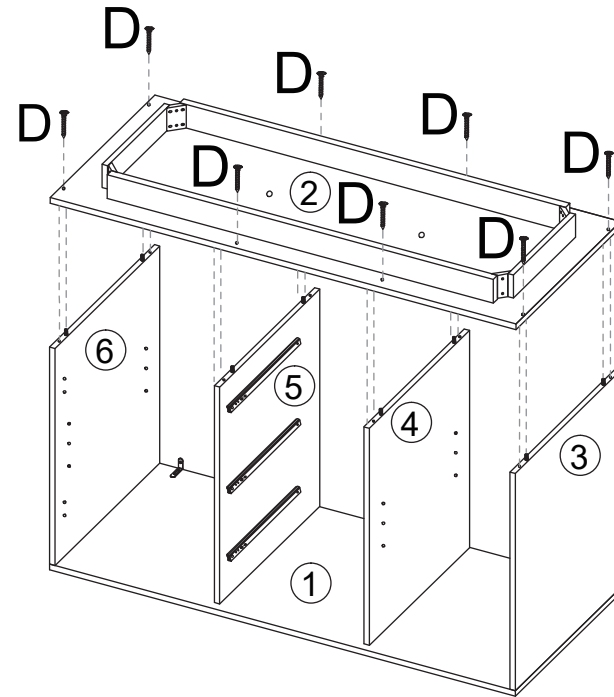
T	x8
	4x25mm


8



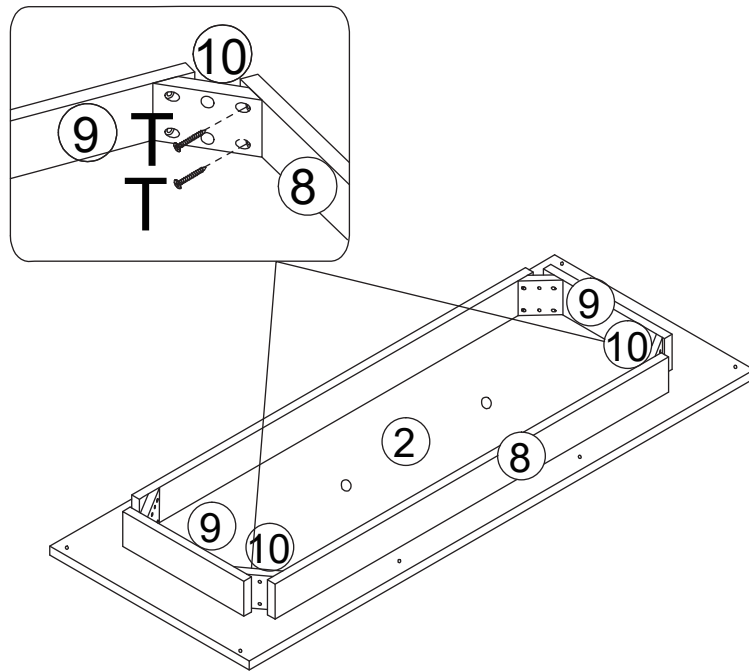
C	x2	D	x3	H	x3	T	x4
			4x40mm				4x25mm


10



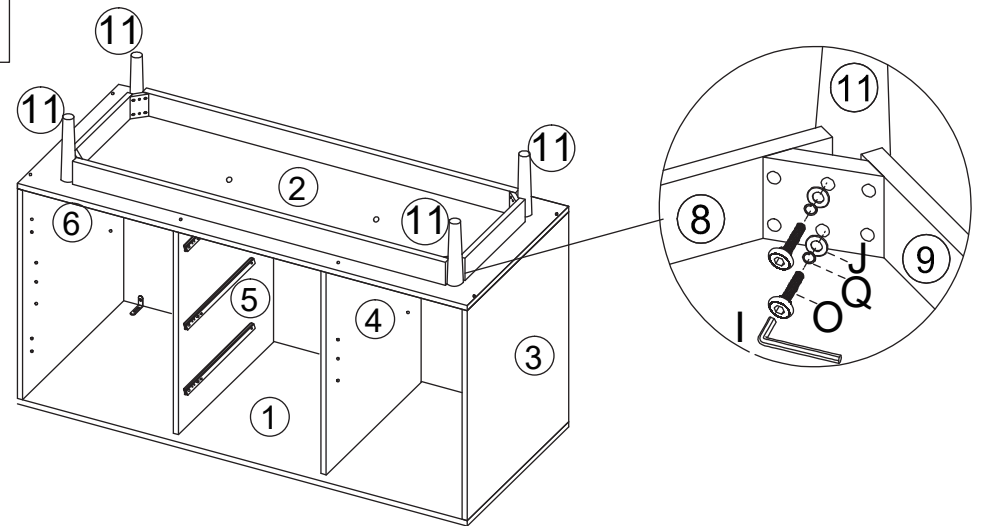
D	x8
	4x40mm





9



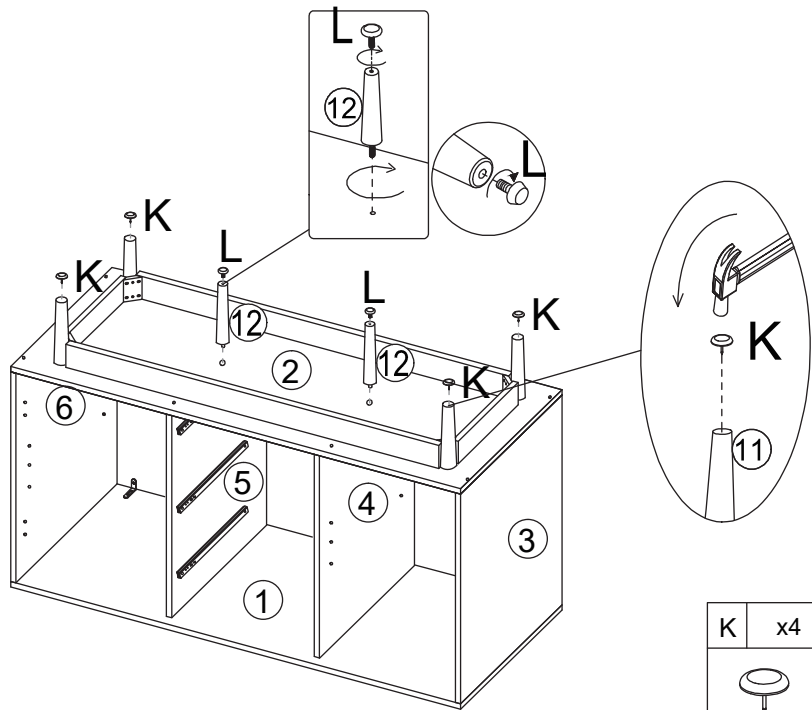
T	x4
	4x25mm


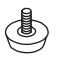
11



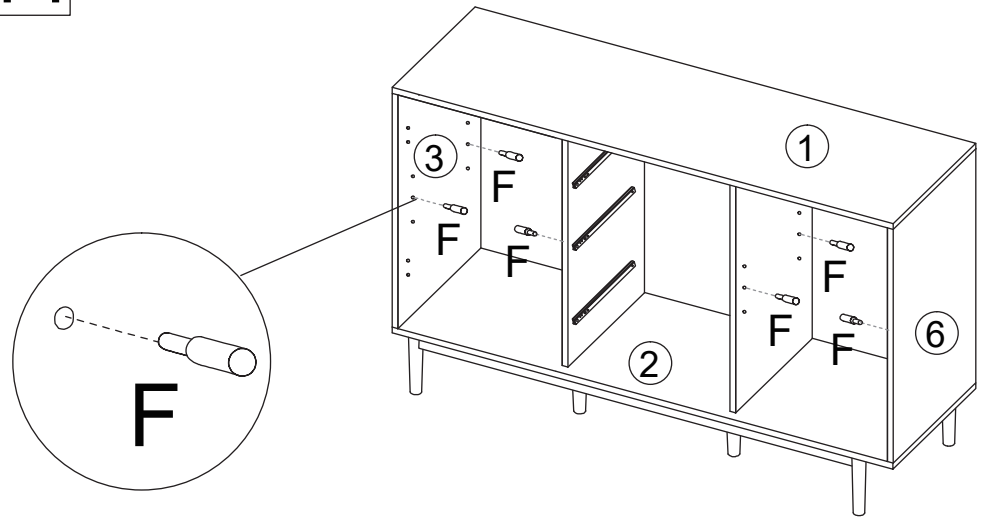
I	x1	J	x8	O	x8	Q	x8
							

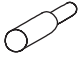
12



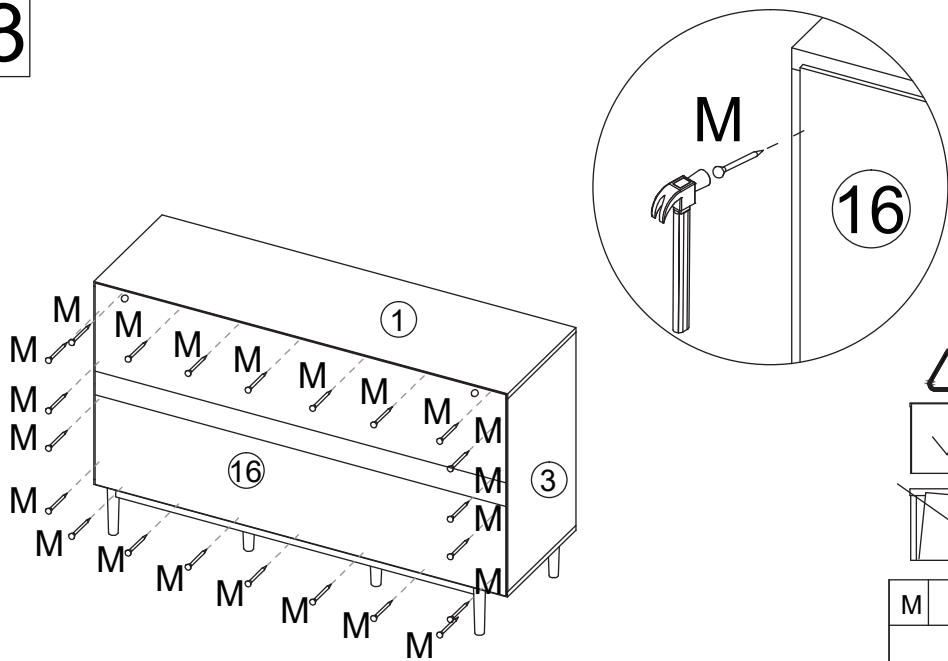
K	x4	L	x2
			





14



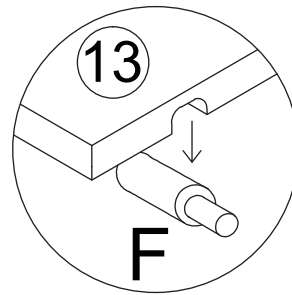
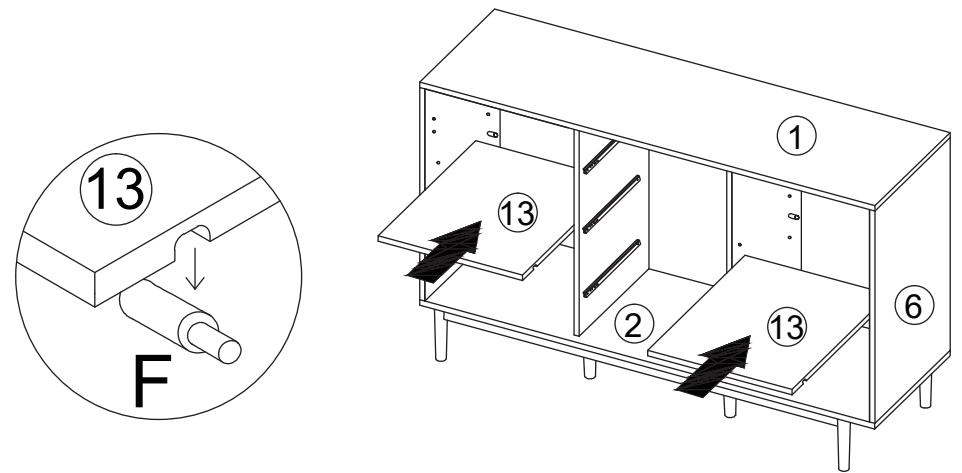
F	x8
	

13

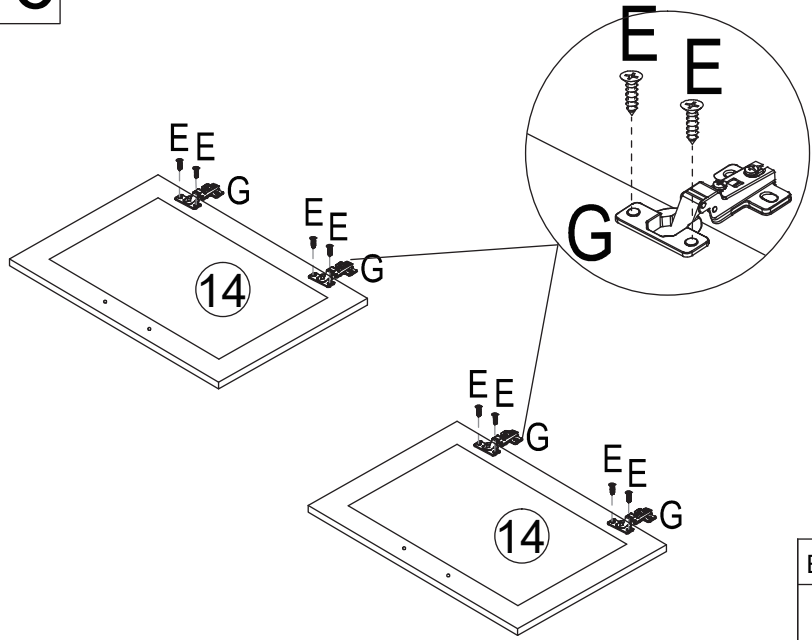




	
	
	
M	x22
	

15

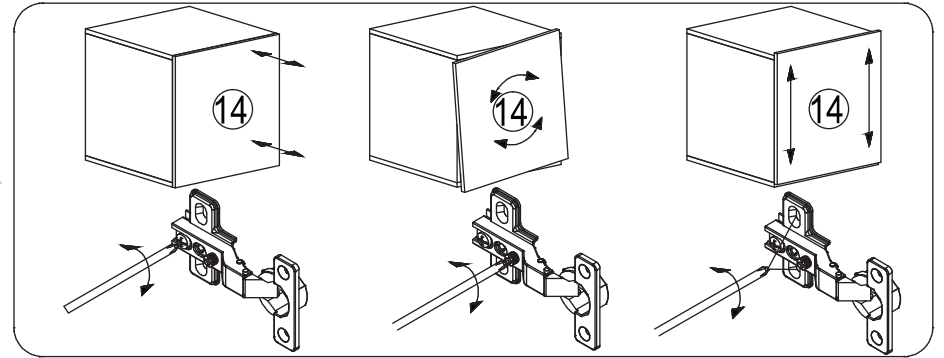


16

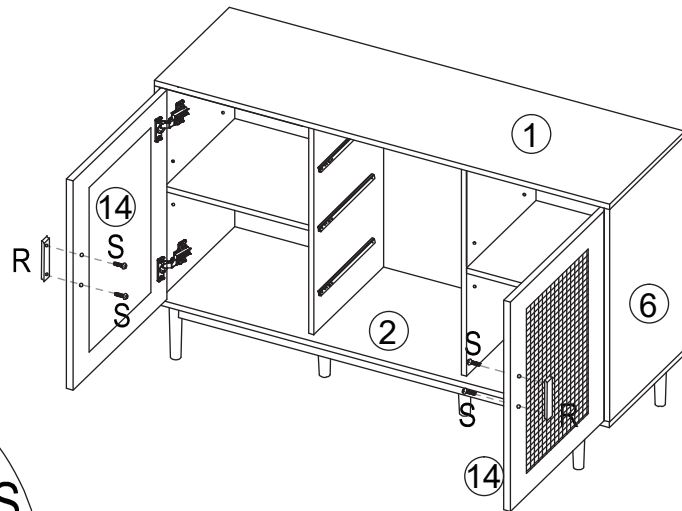




E	x8	G	x4
			
3.5x14mm			

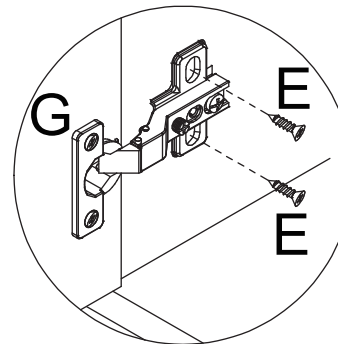
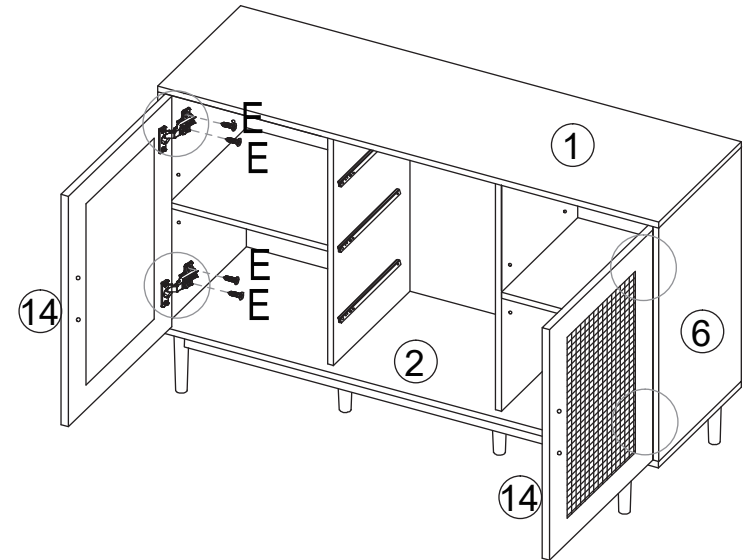
17




18

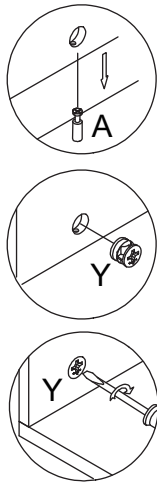
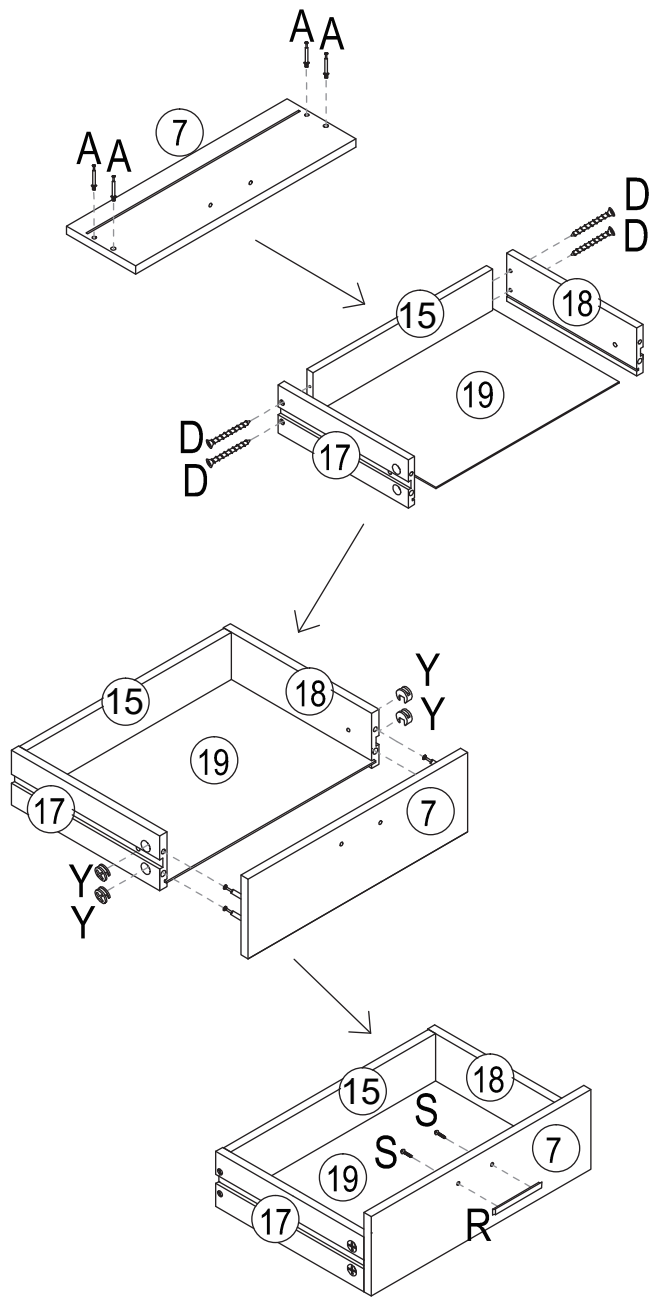


R	x2	S	x4
			
4x18mm			



E	x8
	
3.5x14mm	

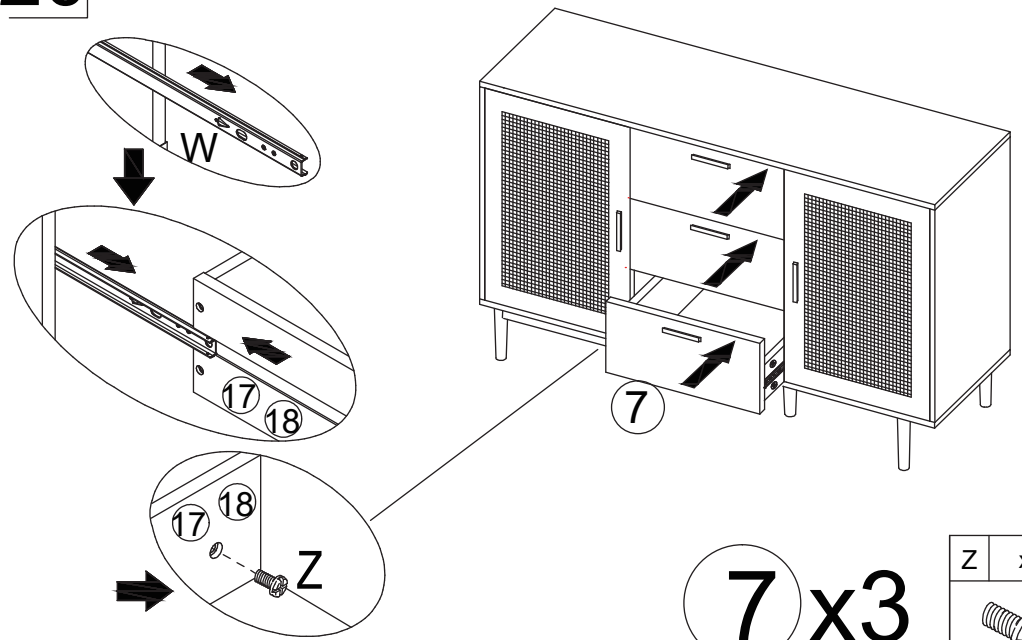
19



x3

A	x12	Y	x12	D	x12	R	x3	S	x6
				4x40mm				4x18mm	

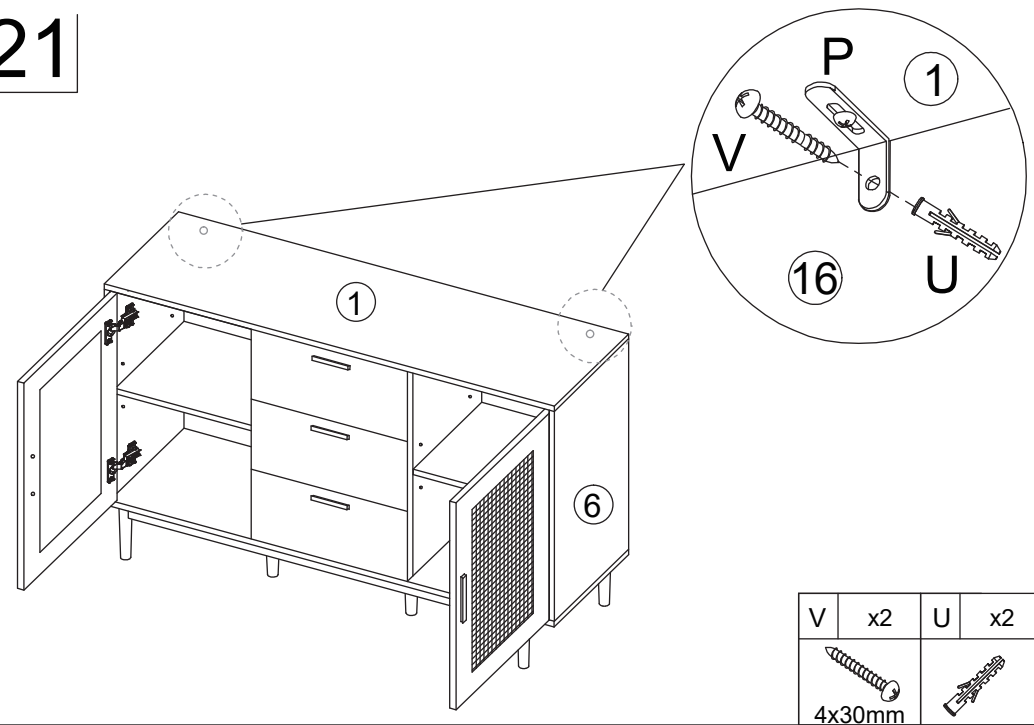
20



Z	x6

7 x3

21



V	x2	U	x2
4x30mm			