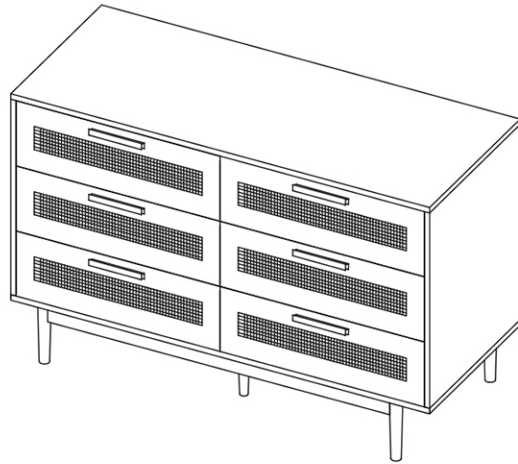


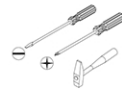


6-DRAWER LOWBOY

MODEL: FURNI-E-RAT-CDR-6D-WD



TWO PERSONS



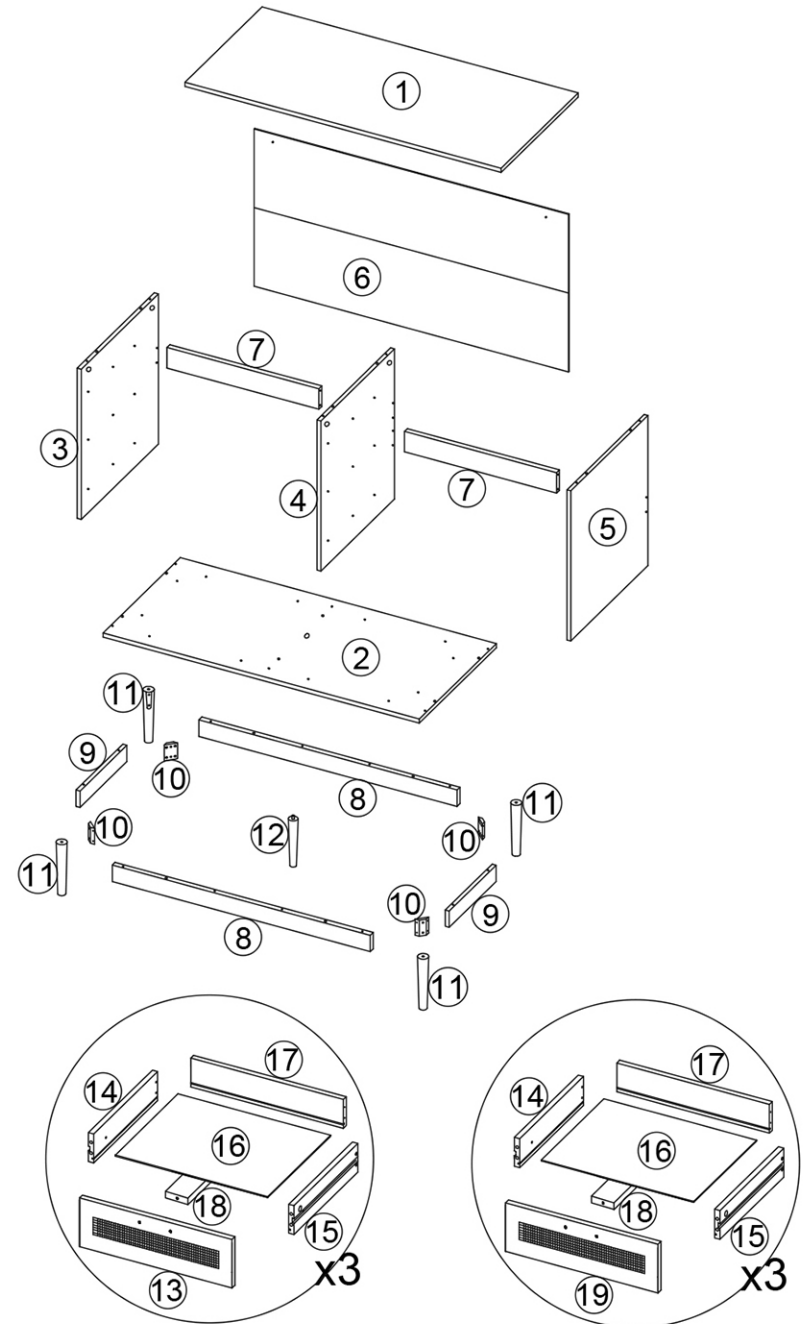
ASSEMBLY INSTRUCTIONS

Please read these instructions carefully before assembling and using the product. Please retain these instructions for future reference.

HARDWARE

A	24pcs	B	12pcs	C	28pcs	D	56pcs	E	36pcs	F	12pcs
							4x40mm		3x12mm		
G	12pcs	H	4pcs	I	1pc	J	8pcs	K	4pcs	L	1pc
M	22pcs	N	2pcs	O	8pcs	P	12pcs	Q	8pcs	R	6pcs
			4x14mm								
S	12pcs	T	16pcs	U	2pcs	V	2pcs	W	2pcs		
	4x18mm		4x25mm						4x30mm		

PARTS



ASSEMBLY CHECKLIST



Read the instructions carefully before beginning assembly.



Make sure that you have all the required tools.
Do not use power tools.



Identify and lay out all the components before starting to assemble.

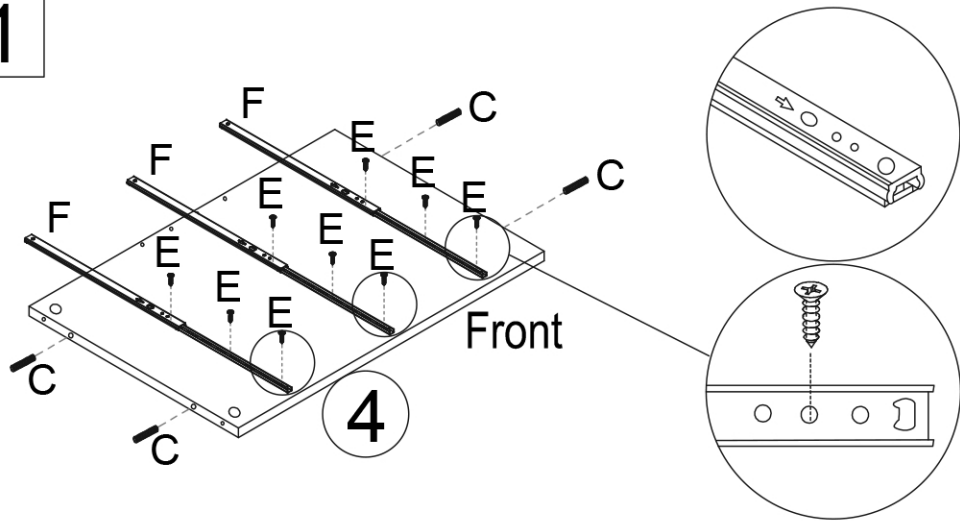


Do not fully tighten all screws until the step/process has been completed.

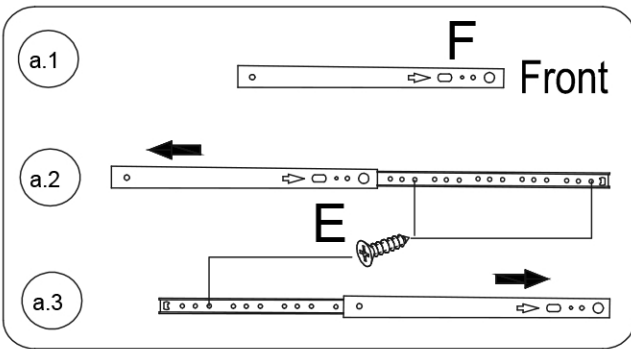
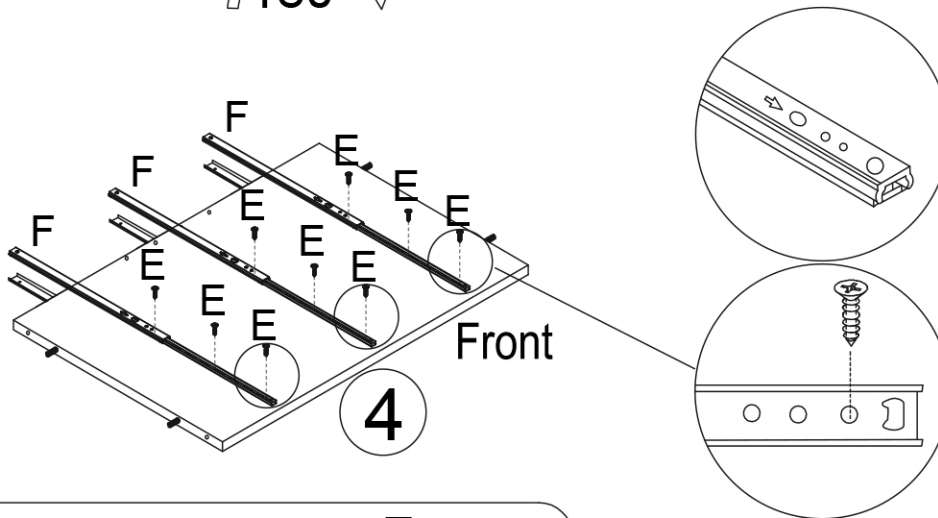
ATTENTION

- Never use power tools. They can damage the components or hardware if used correctly.
- The most common mistakes made during assembly are using the wrong hardware or getting components back to front.
- Always use a soft surface (such as a carpet or cardboard) to assemble the product on to avoid scratching or damaging the finish of the product.

1

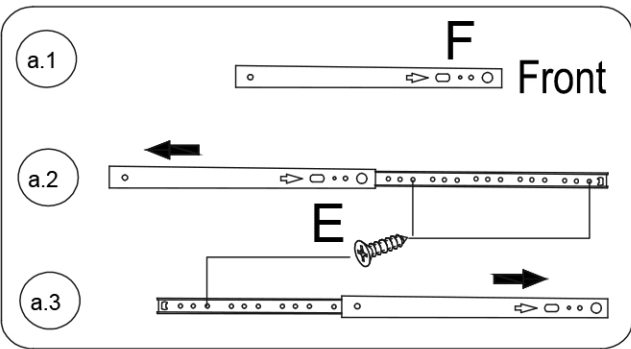
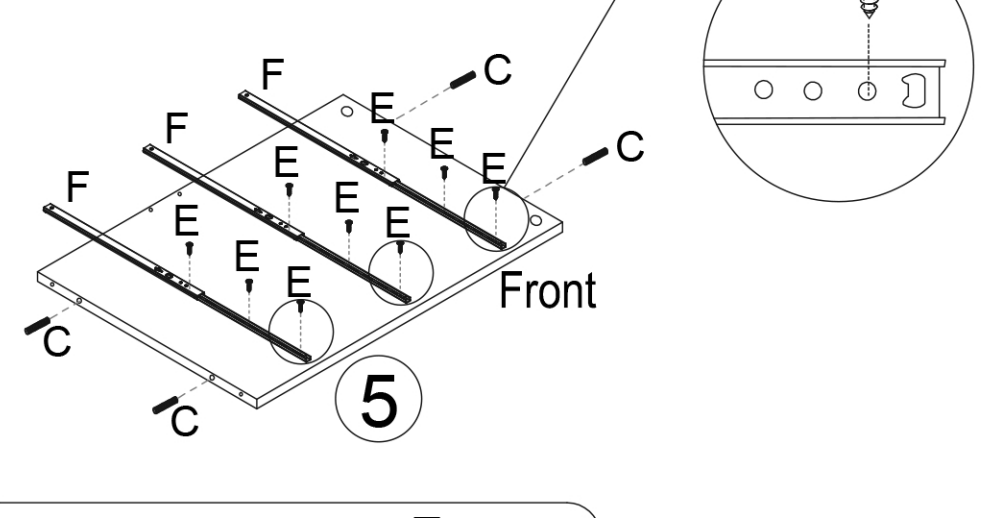
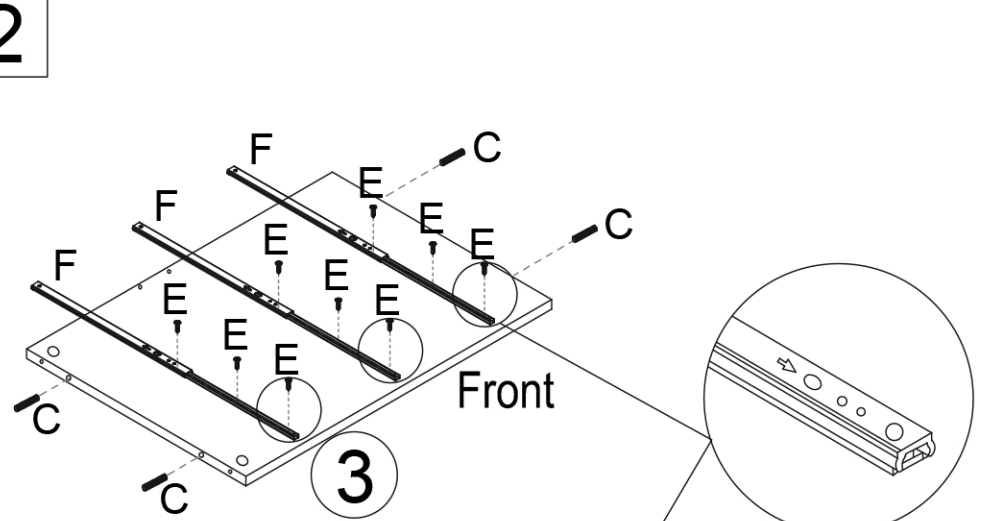


180°



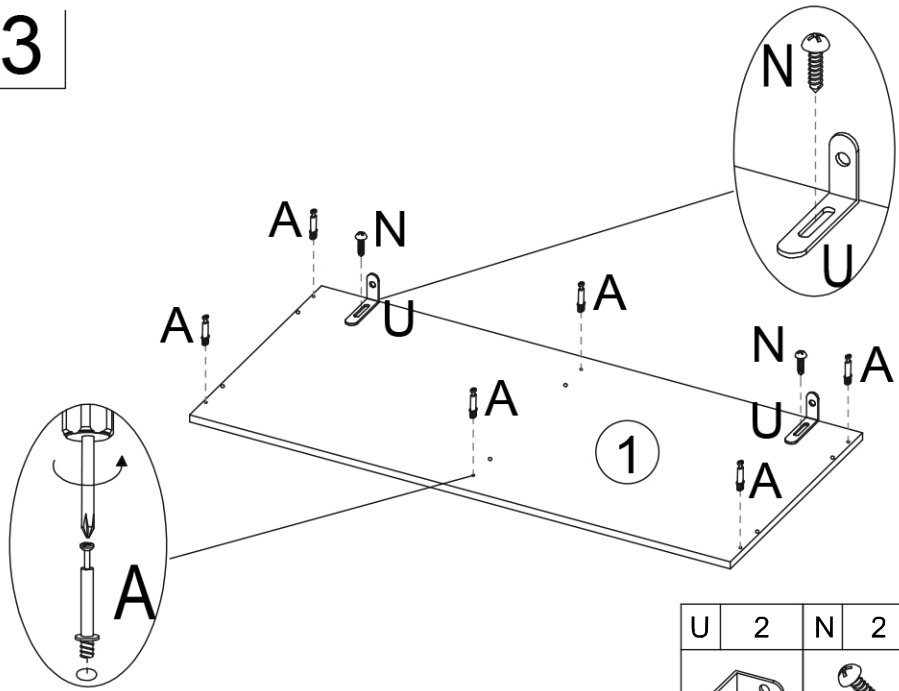
C	4	E	18	F	6
			3x12mm		

2



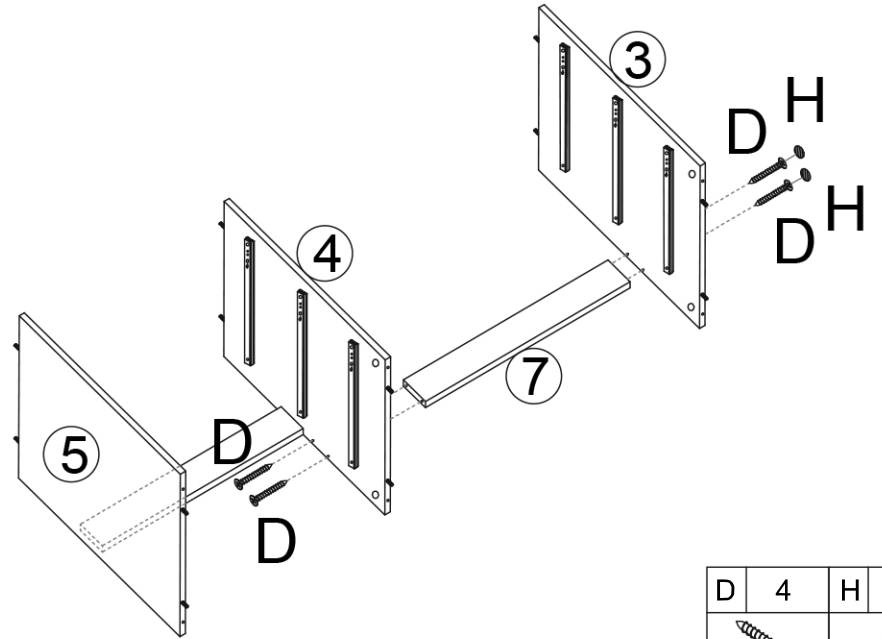
C	8	E	18	F	6
			3x12mm		

3



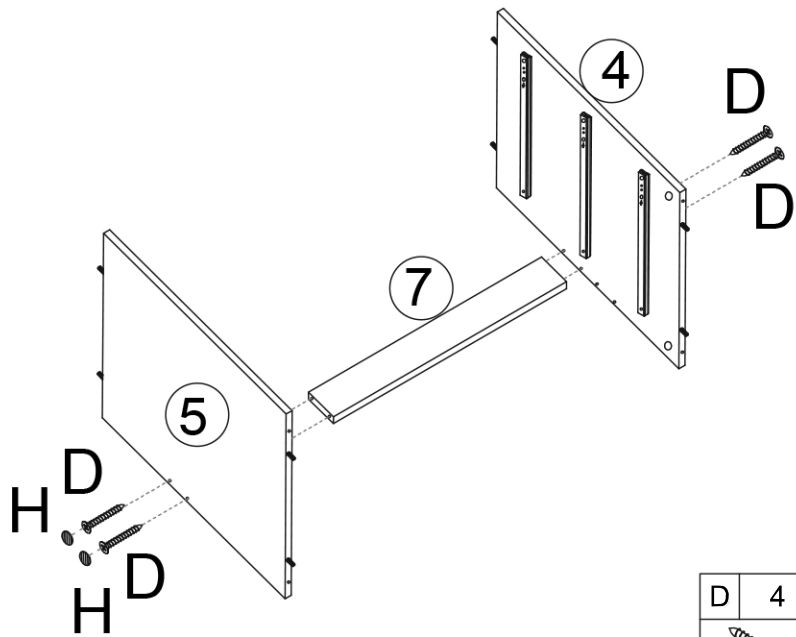
U	2	N	2	A	6
			3x12mm		

5



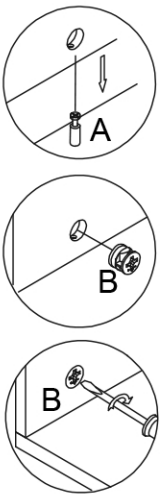
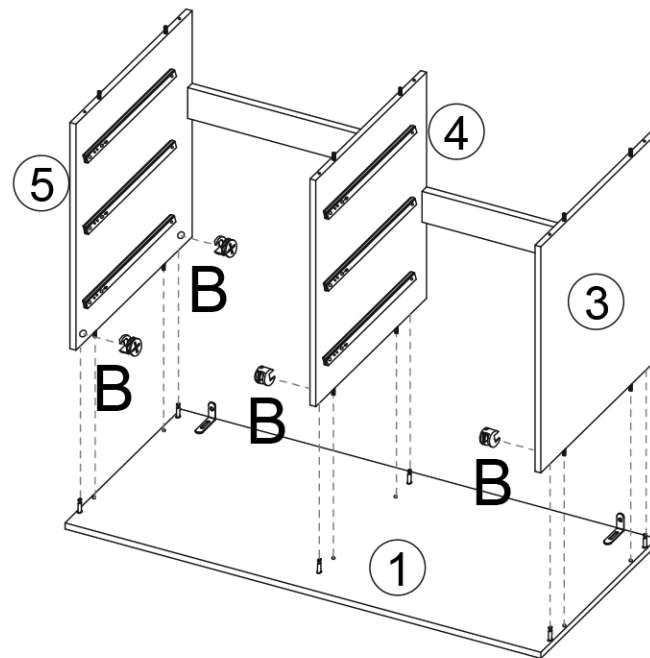
D	4	H	2

4



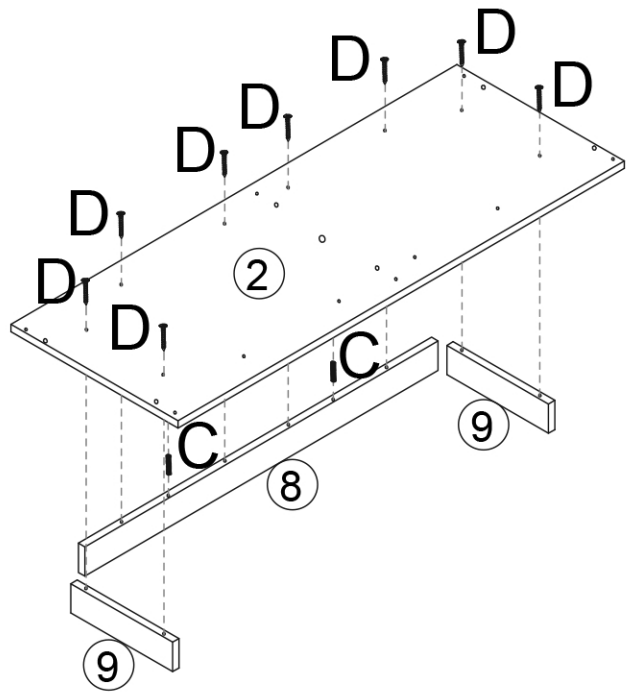
D	4	H	2

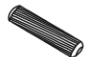

6



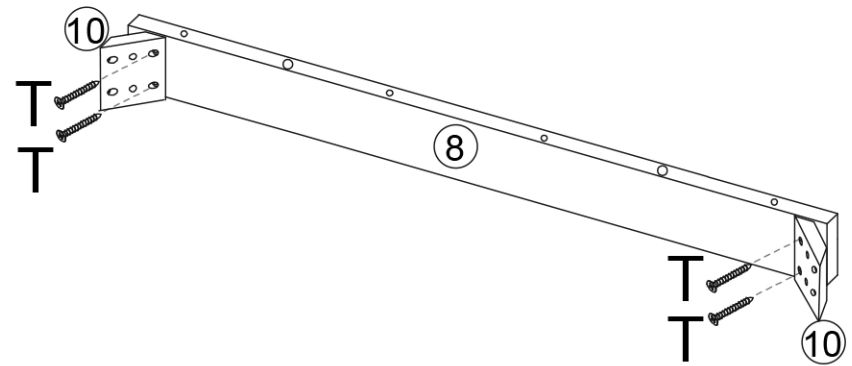
B	6


7



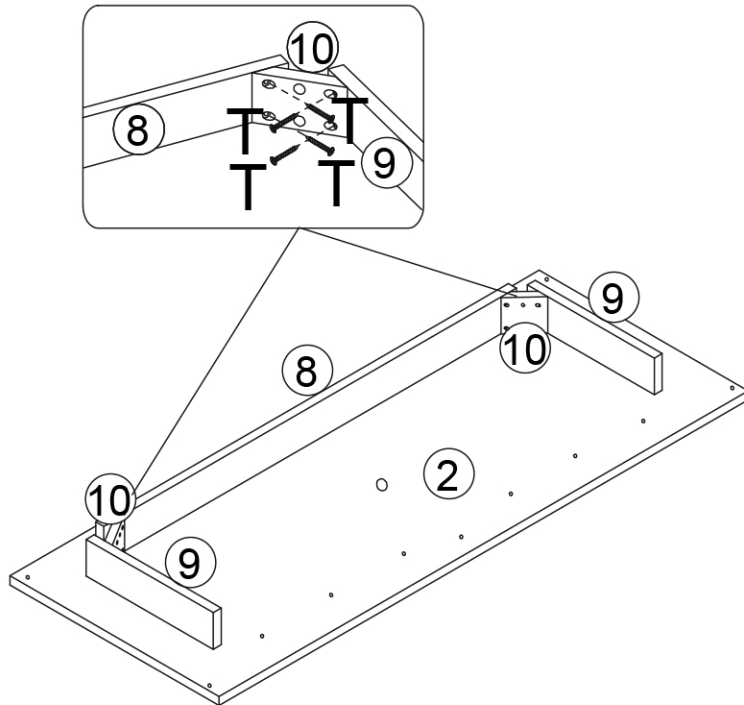
C	2	D	8
 4x40mm			


9



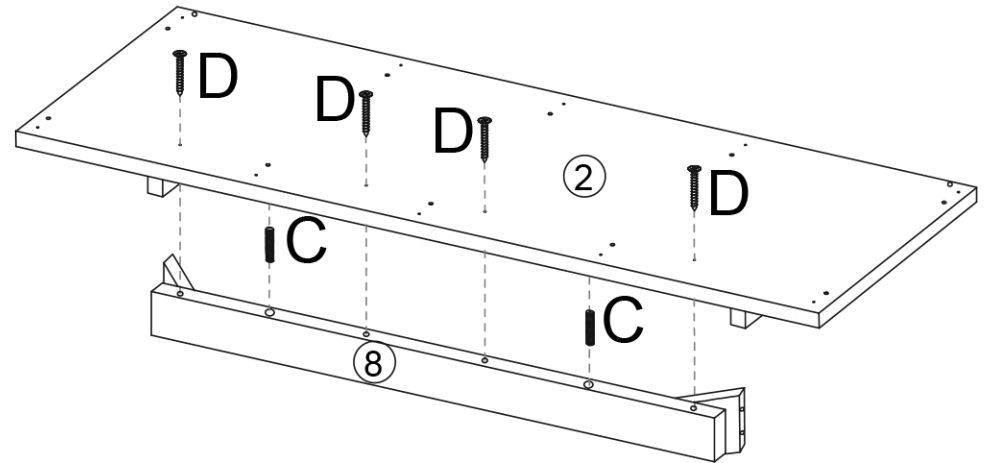
T	4
 4x25mm	


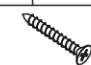
8



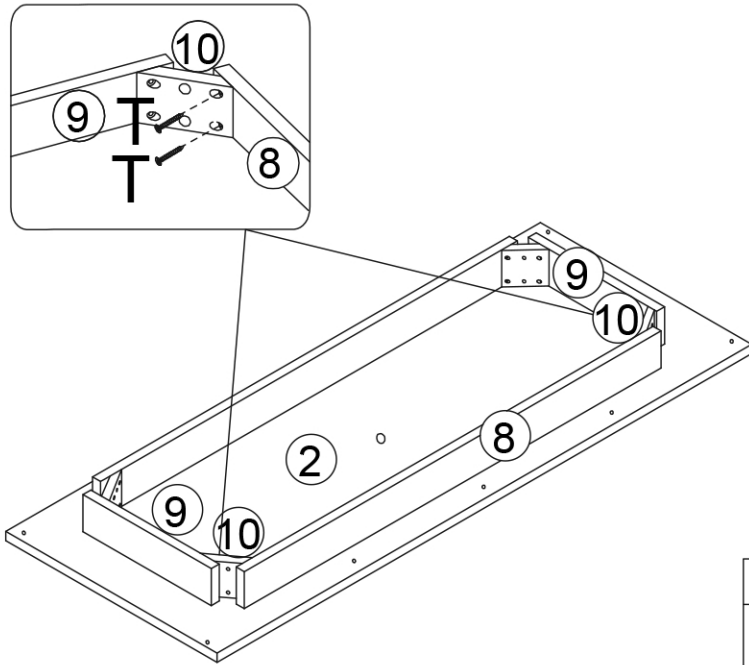
T	8
 4x25mm	


10



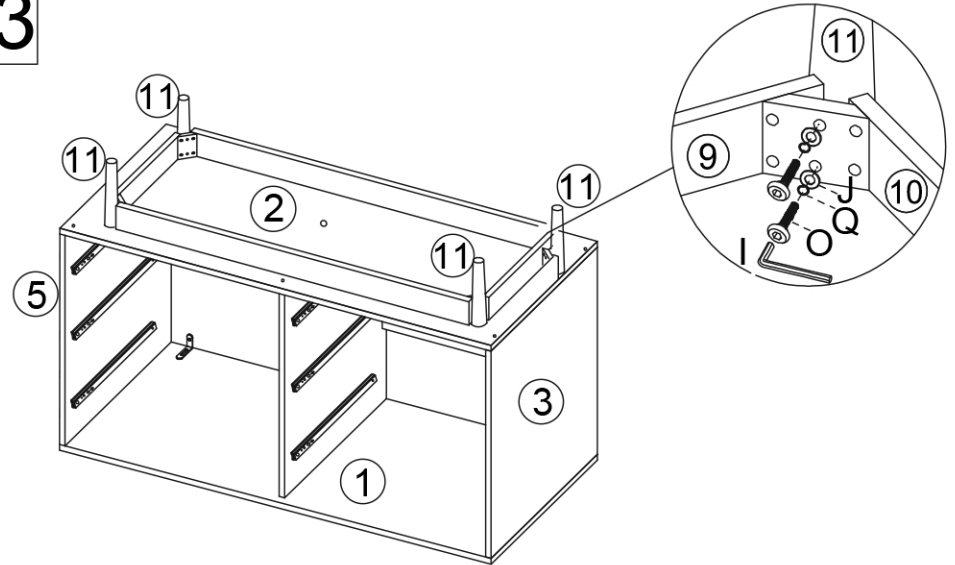
C	2	D	4
 4x40mm		 4x40mm	





11



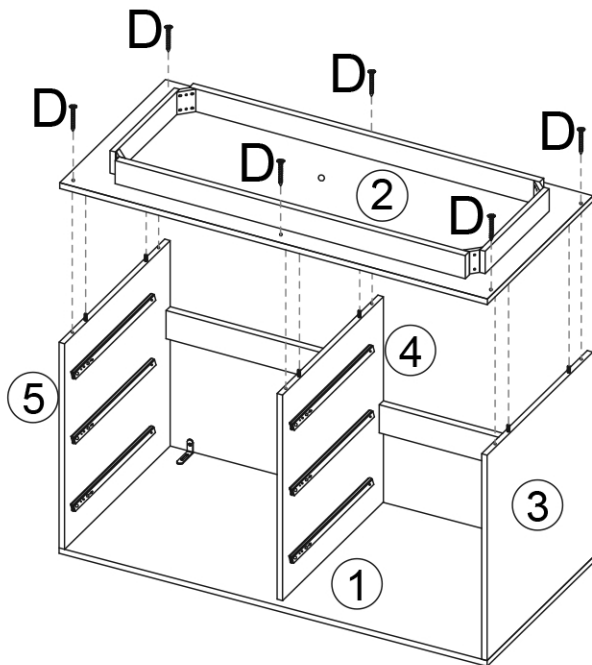
T	4
	4x25mm


13



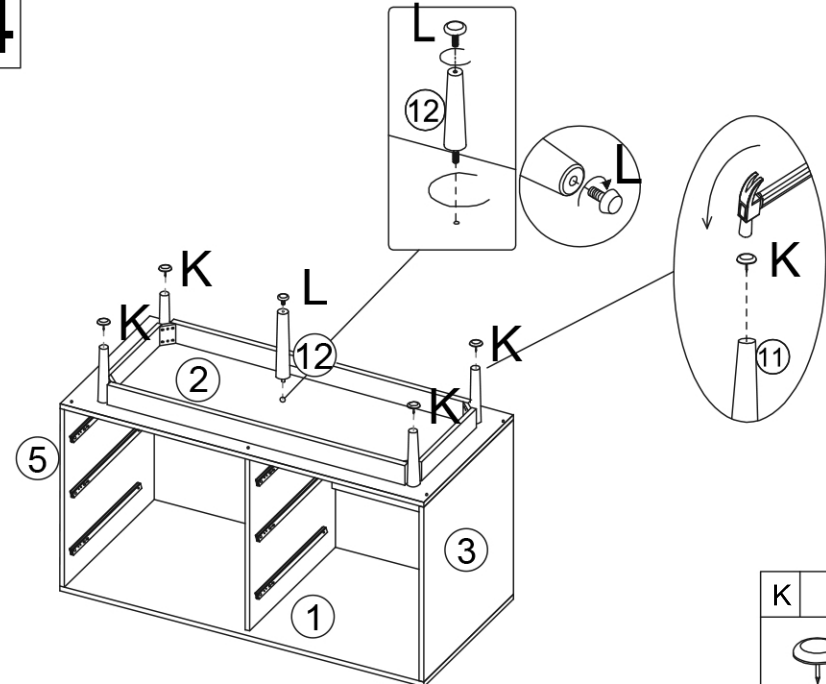
I	1	J	8	O	8	Q	8
							



12



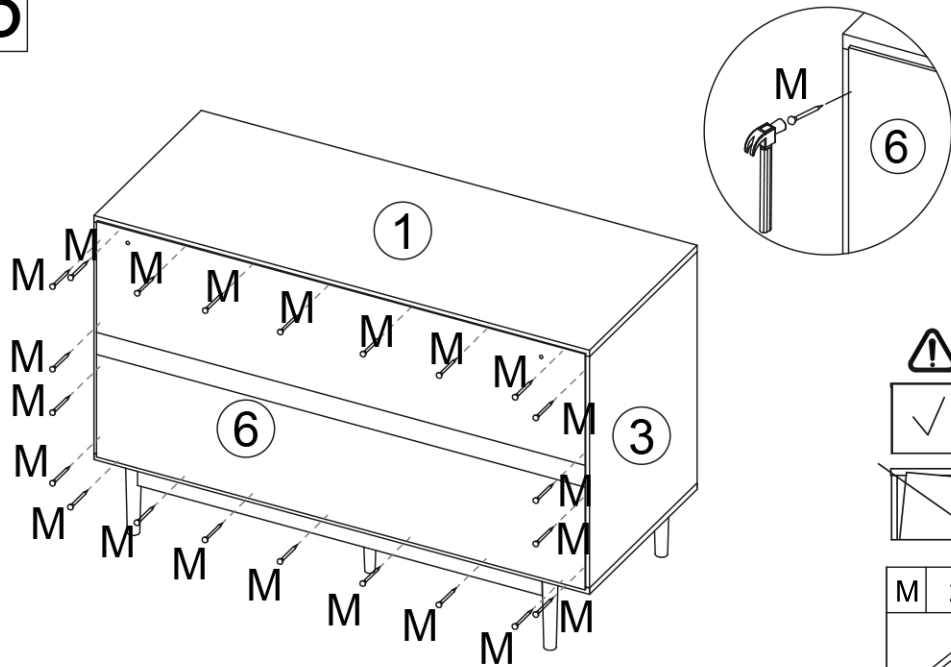
D	6
	4x40mm

14



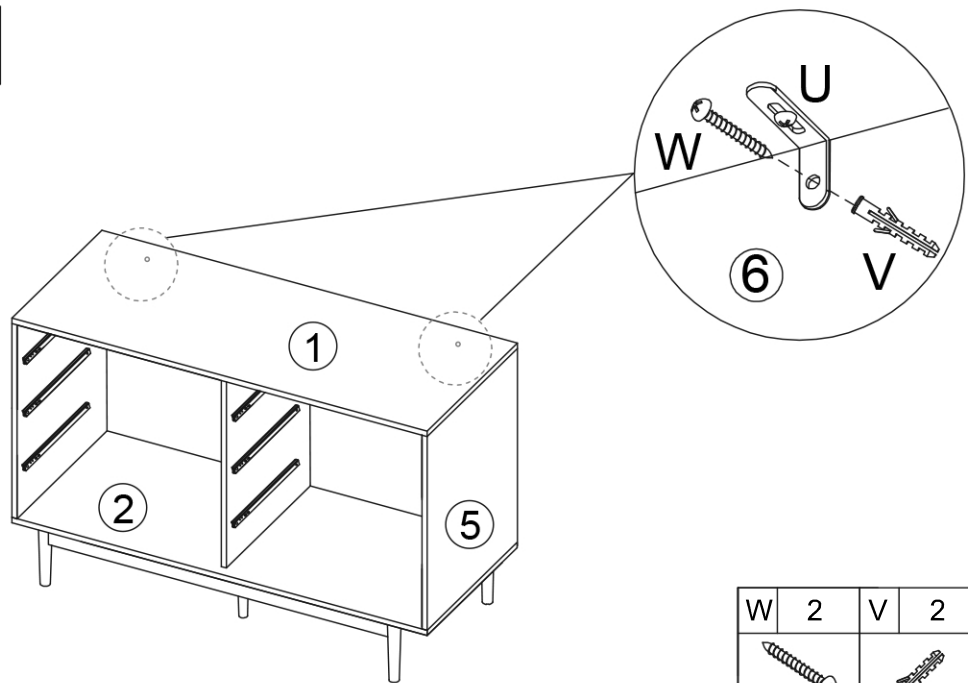
K	4	L	1
			

15



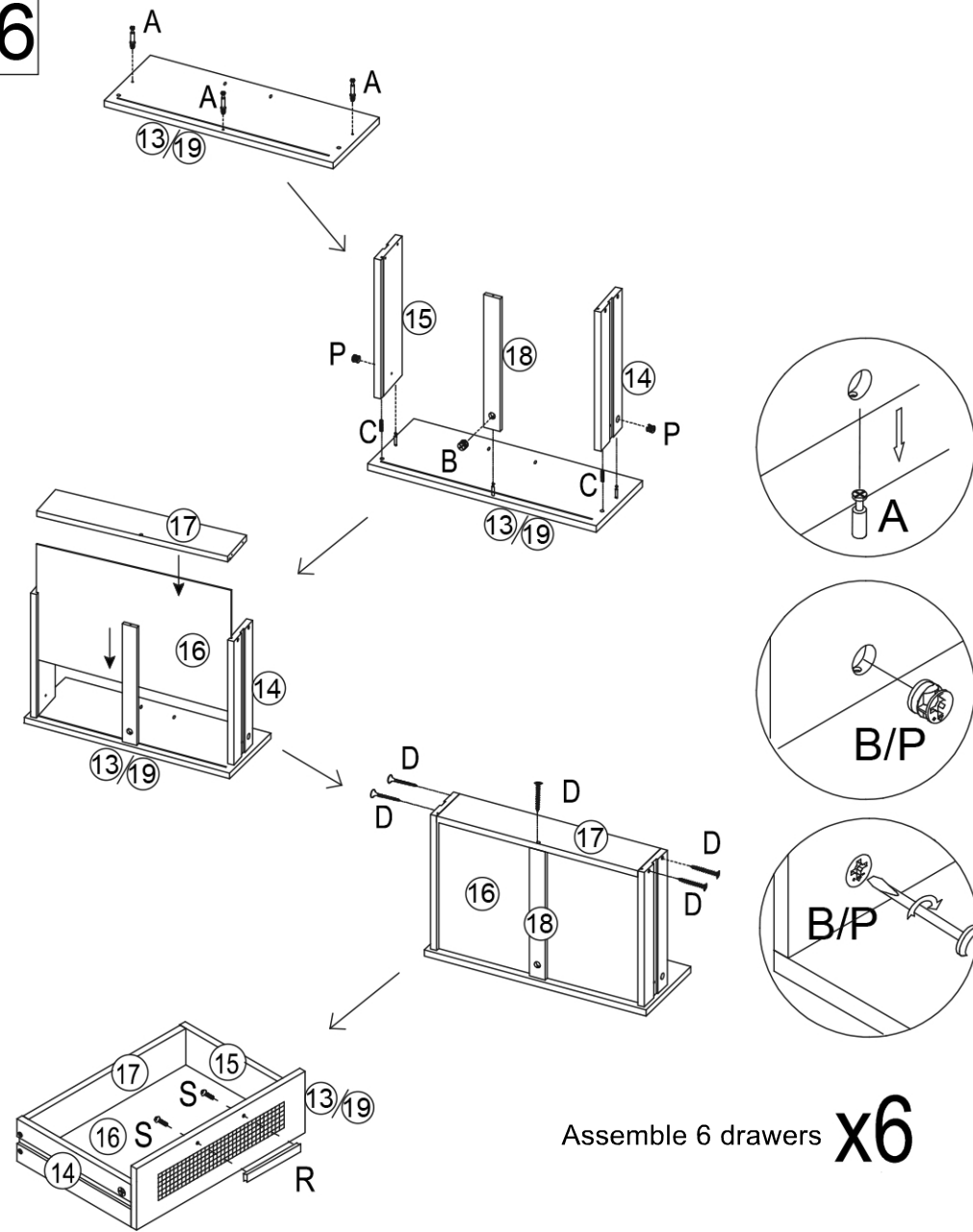
M	22
---	----

17



W	2	V	2
4x30mm			

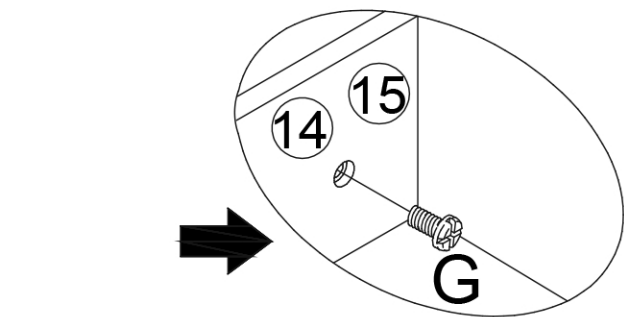
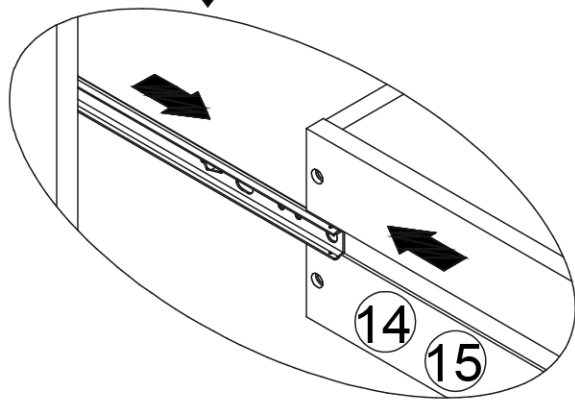
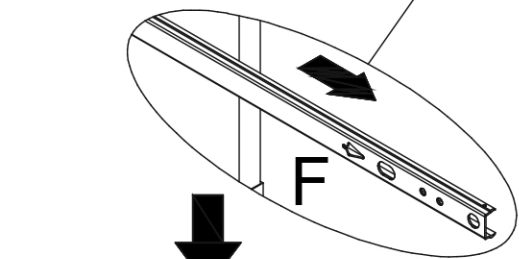
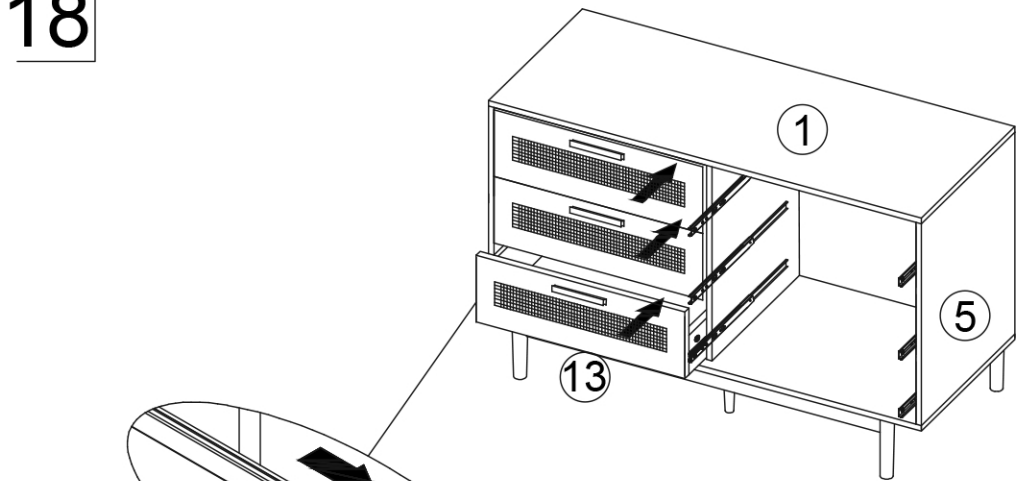
16



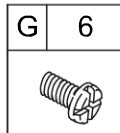
Assemble 6 drawers **x6**

A	18	B	6	P	12	C	12	D	30	R	6	S	12
4x40mm													

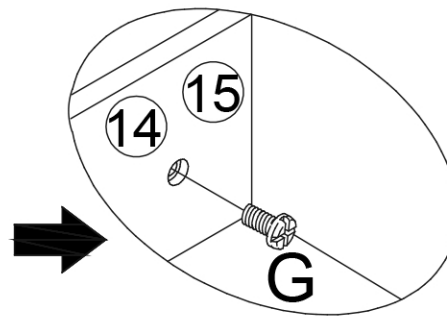
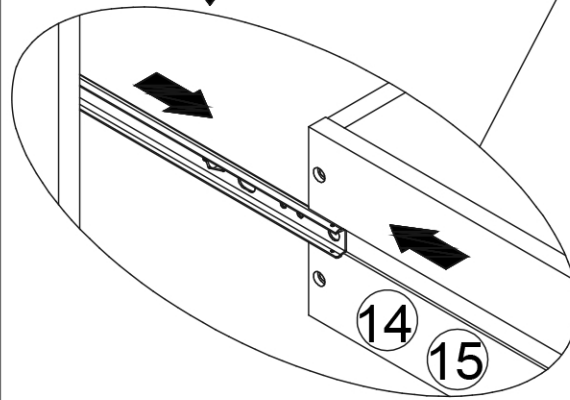
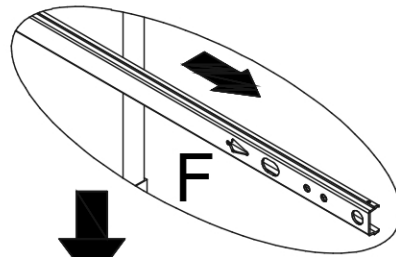
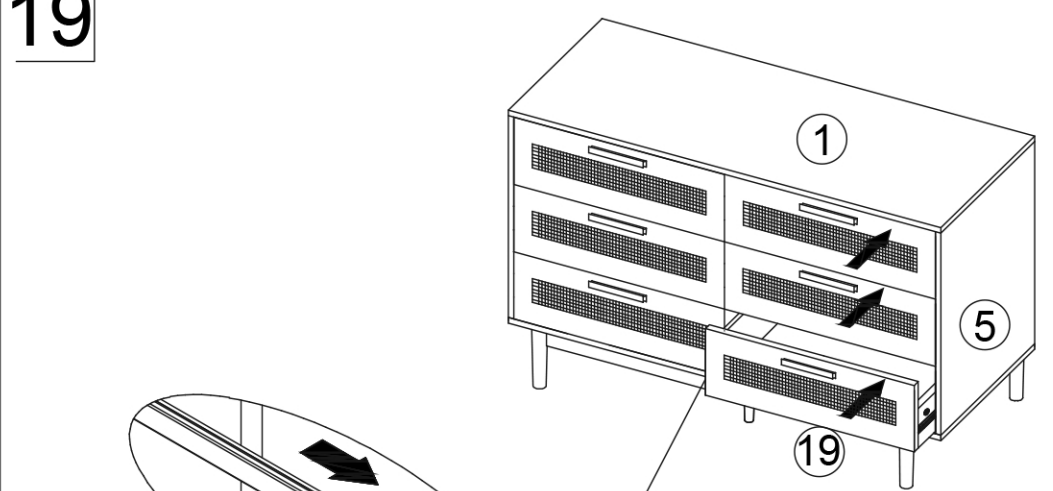
18



Slot in the assembled 3 drawers as shown.



19



Slot in the assembled 3 drawers as shown.

