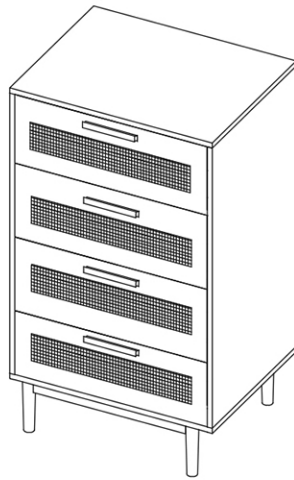


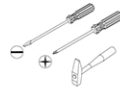


4-DRAWER TALLBOY

MODEL: FURNI-E-RAT-CDR-4D-WD



TWO PERSONS



TOOLS REQUIRED

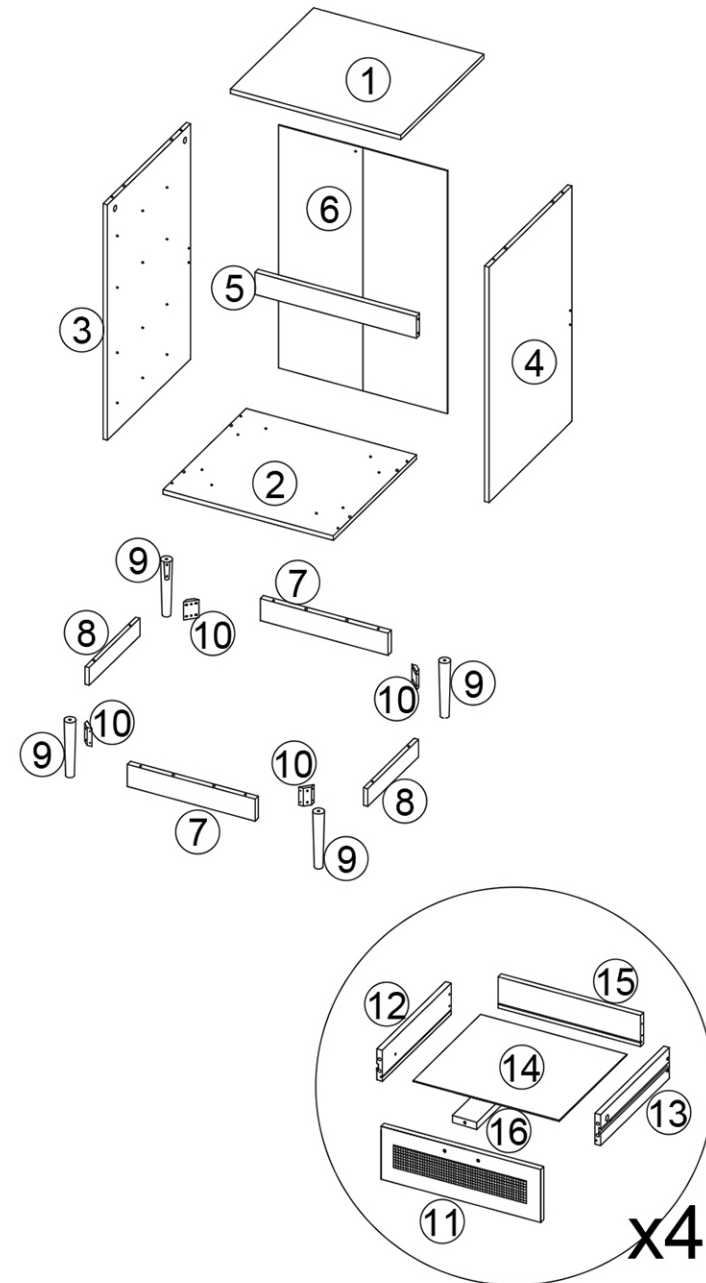
ASSEMBLY INSTRUCTIONS

Please read these instructions carefully before assembling and using the product. Please retain these instructions for future reference.

HARDWARE

A	16pcs	B	8pcs	C	20pcs	D	36pcs	E	24pcs	F	8pcs
						4x40mm		3x12mm			
G	8pcs	H	4pcs	I	1pc	J	8pcs	K	4pcs	L	1pc
M	18pcs	N	1pc	O	8pcs	P	8pcs	Q	8pcs	R	4pcs
		4x14mm									
S	8pcs	T	16pcs	U	1pc	V	1pc				
4x18mm		4x25mm				4x30mm					

PARTS



ASSEMBLY CHECKLIST



Read the instructions carefully before beginning assembly.



Make sure that you have all the required tools.
Do not use power tools.



Identify and lay out all the components before starting to assemble.

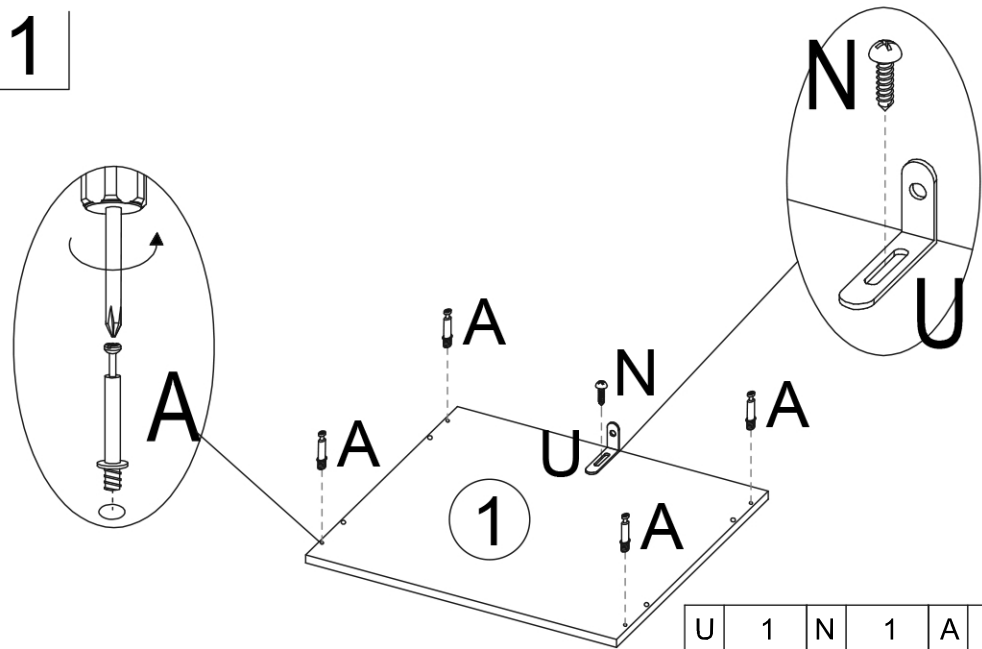


Do not fully tighten all screws until the step/process has been completed.

ATTENTION

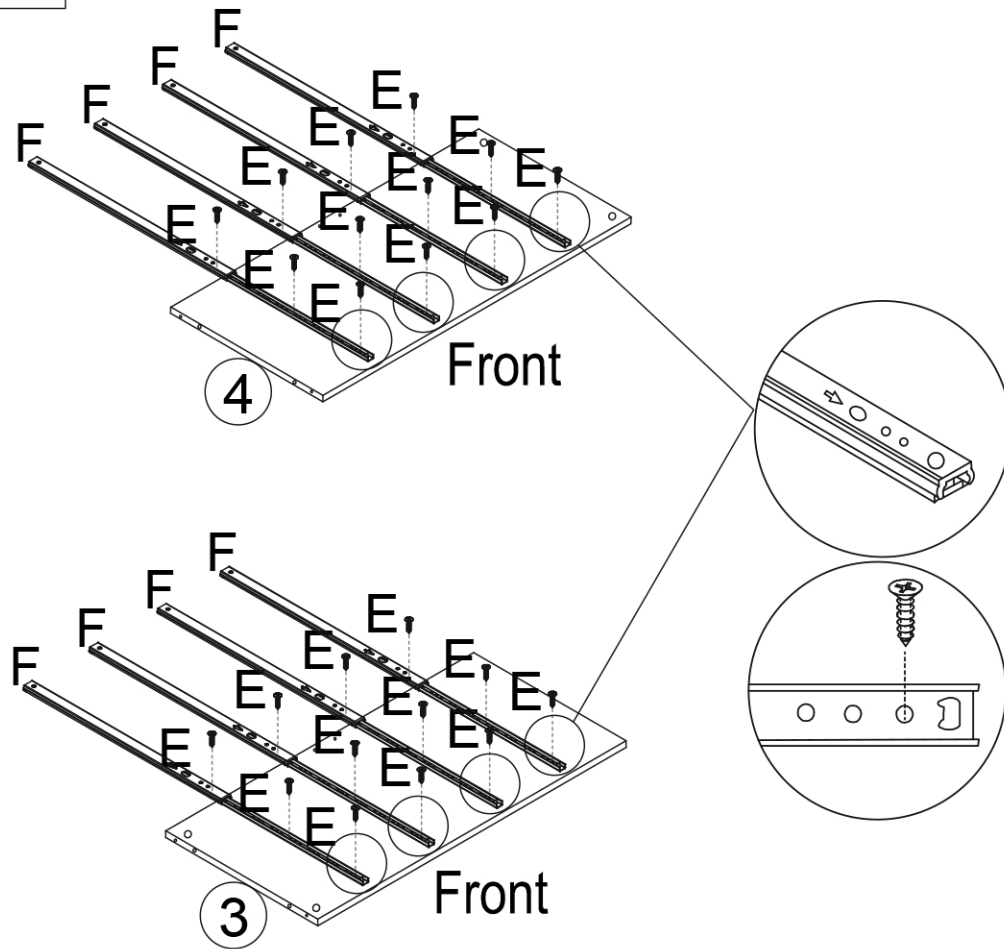
- Never use power tools. They can damage the components or hardware if used correctly.
- The most common mistakes made during assembly are using the wrong hardware or getting components back to front.
- Always use a soft surface (such as a carpet or cardboard) to assemble the product on to avoid scratching or damaging the finish of the product.

1

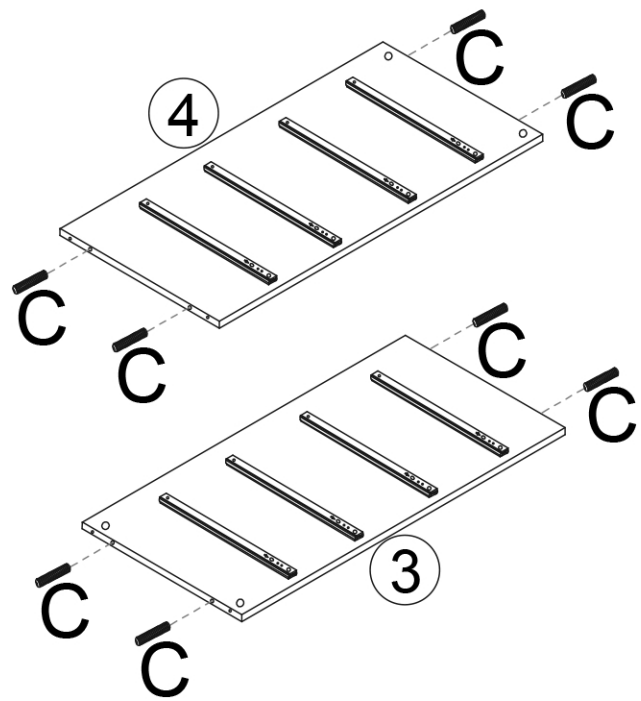


U	1	N	1	A	4
			4x14mm		

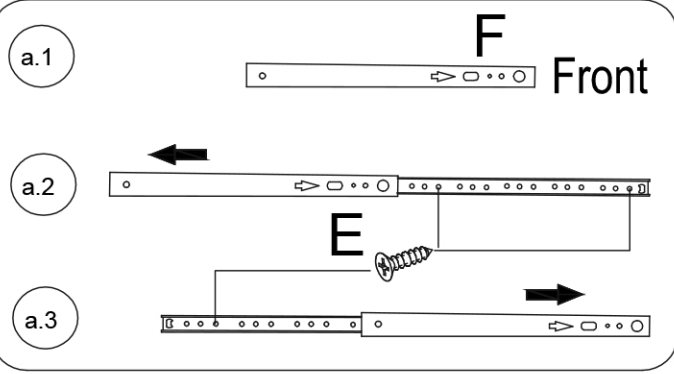
2



3

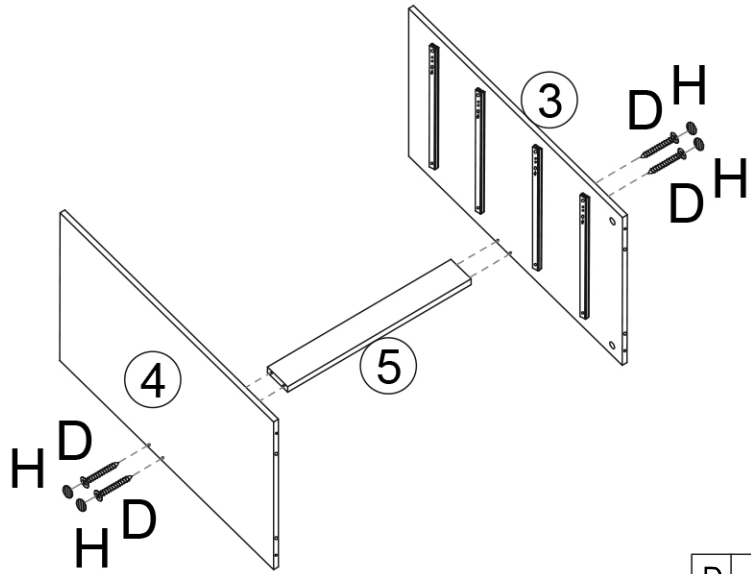




C	8



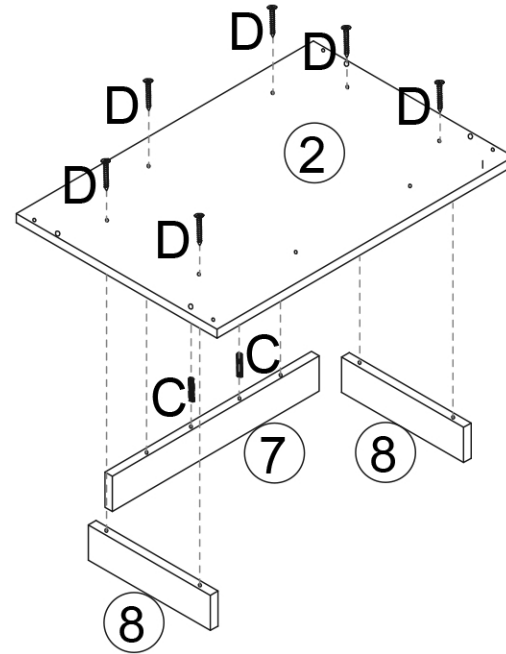
F	8	E	24
			3x12mm



4



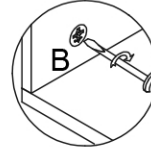
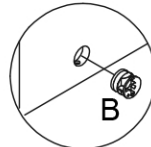
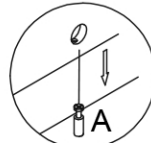
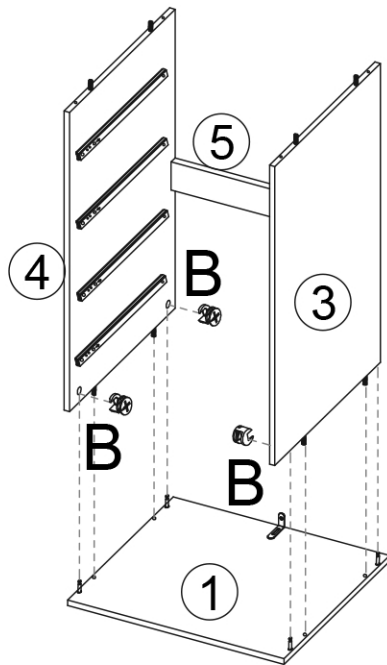
D	4	H	4
 4x40mm			


6



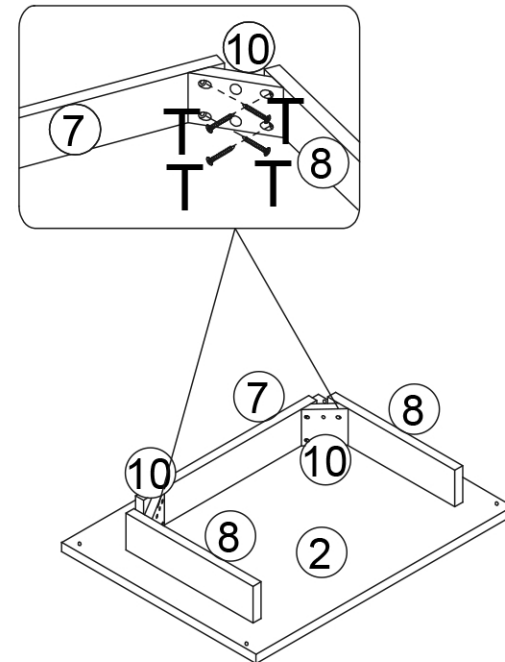
C	2	D	6
		 4x40mm	


5



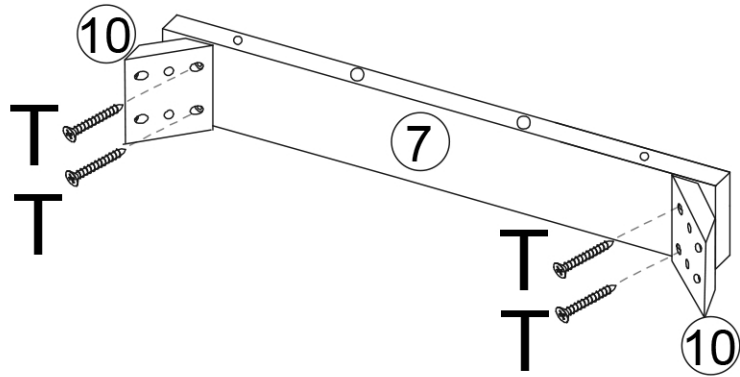
B	4
	


7



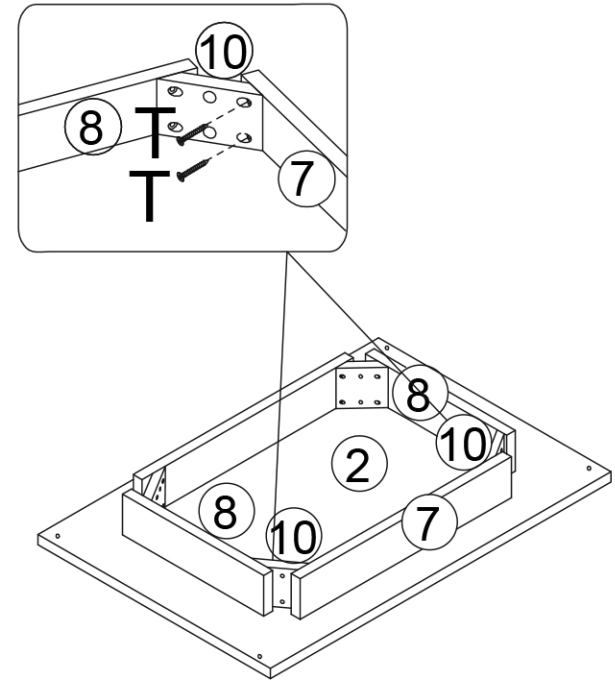
T	8
 4x25mm	


8



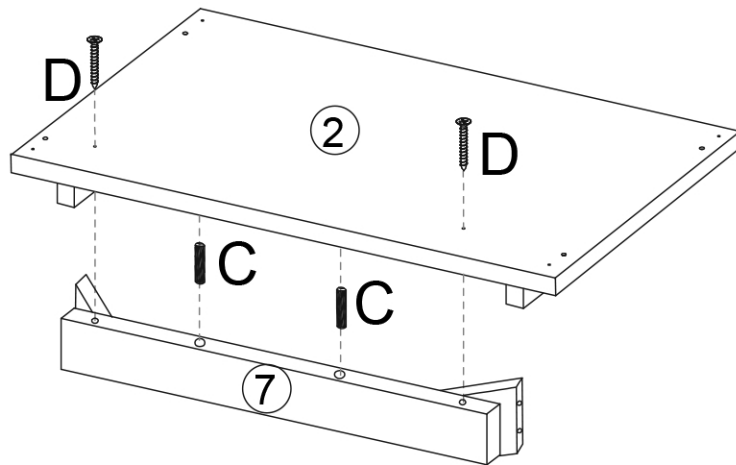
T	4
 4x25mm	



10



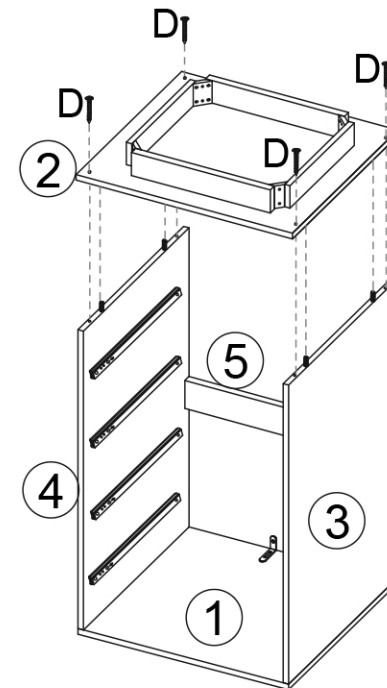
T	4
 4x25mm	


9



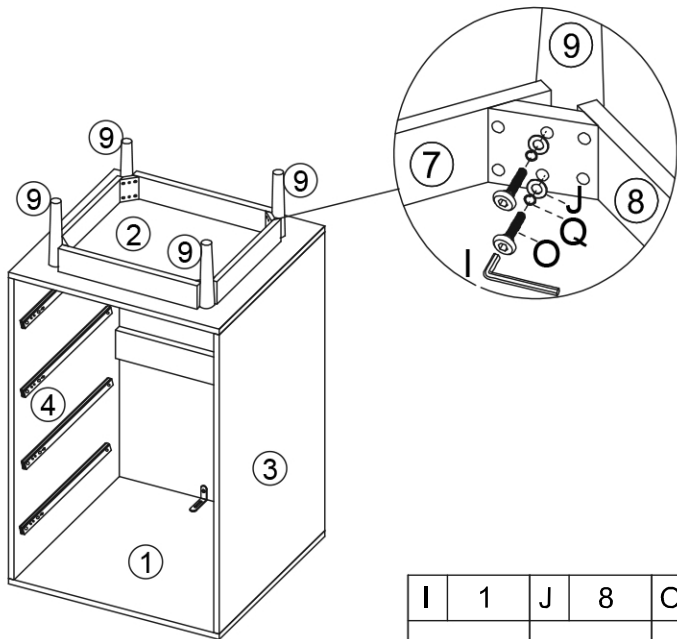
C	2	D	2
		 4x40mm	

11



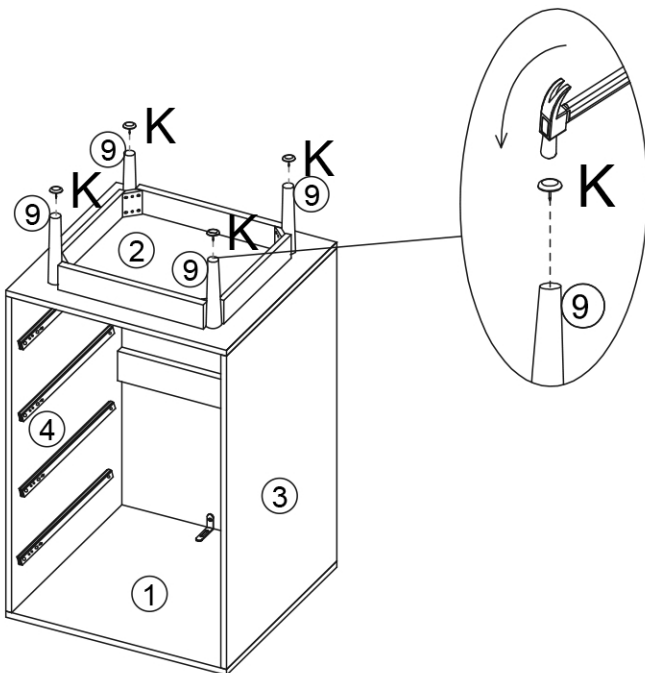
D	4
 4x40mm	

12



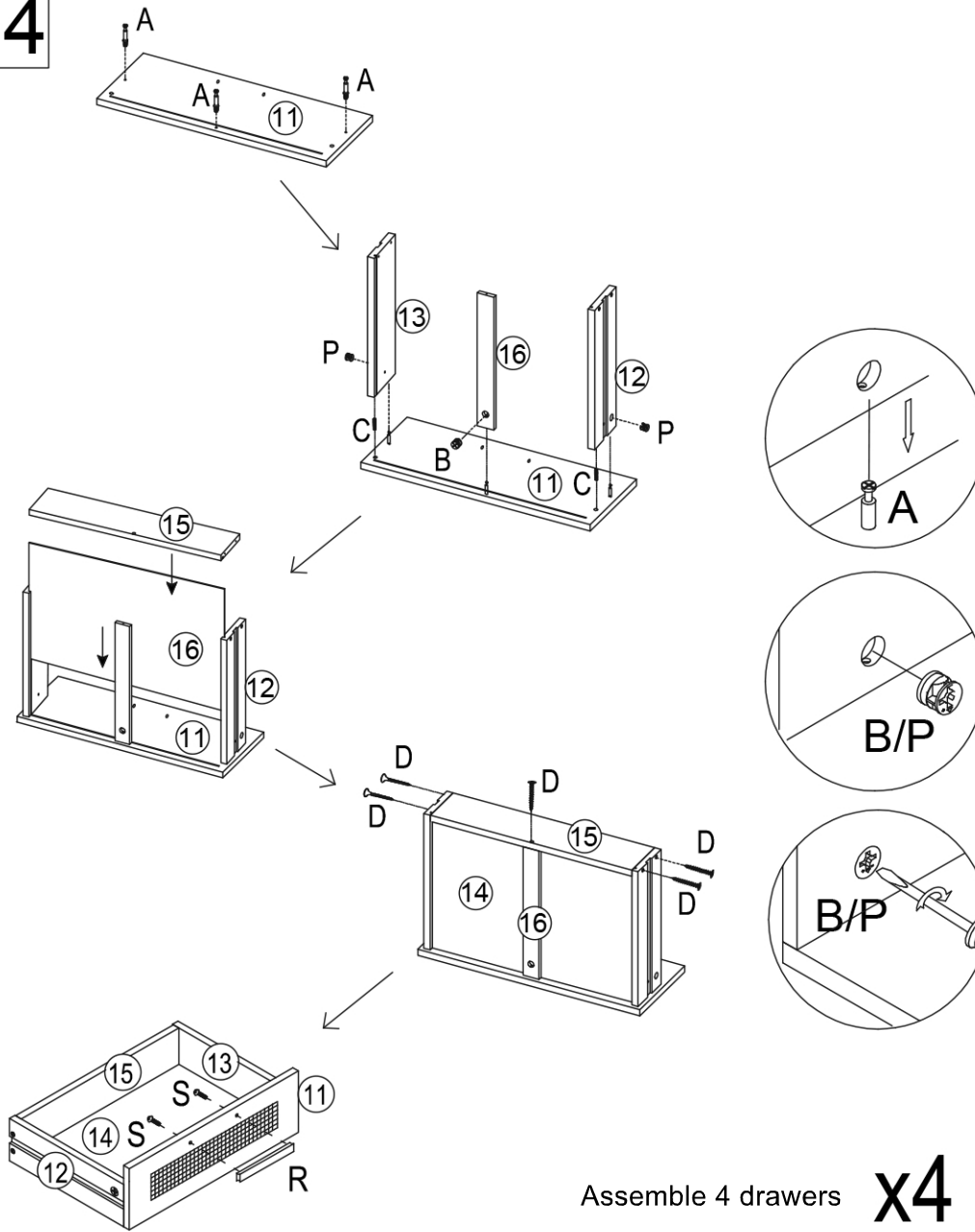
I	1	J	8	O	8	Q	8

13



K	4

14

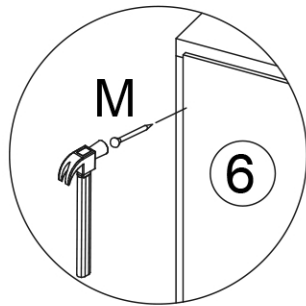
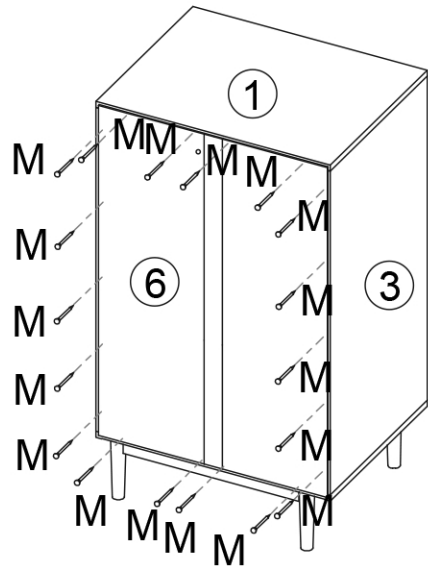


Assemble 4 drawers

x4

A	2	B	4	P	8	C	8	D	20	R	4	S	8
								4x25mm				4x18mm	

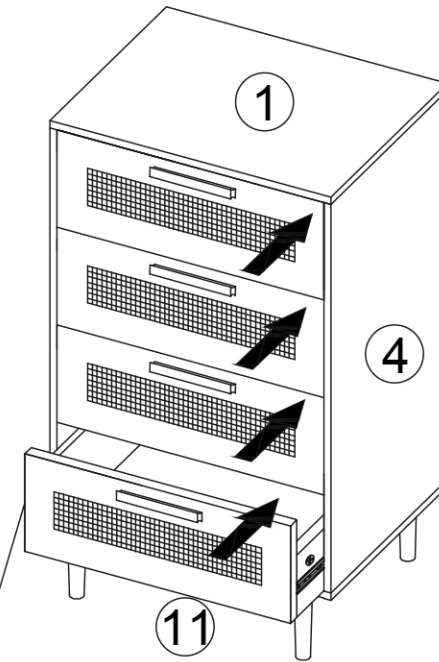
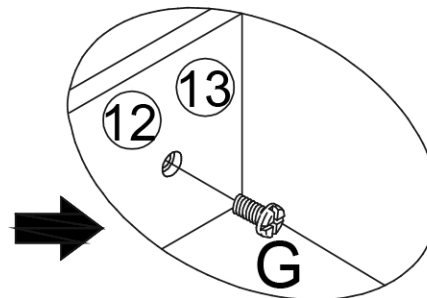
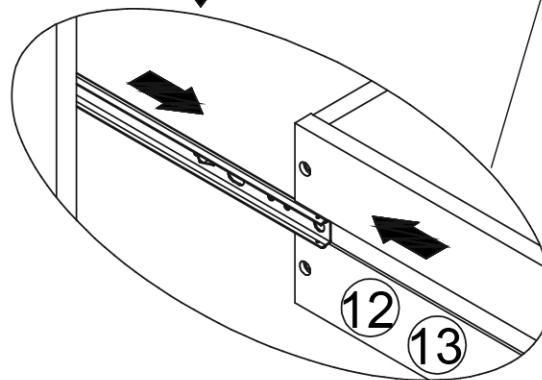
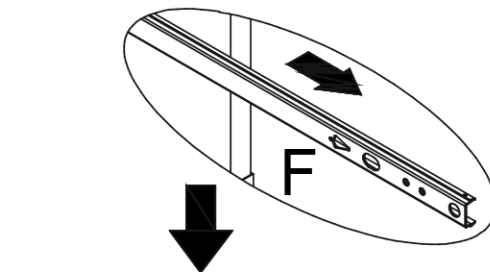
15



M	18
---	----

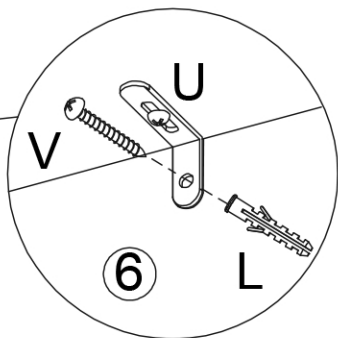
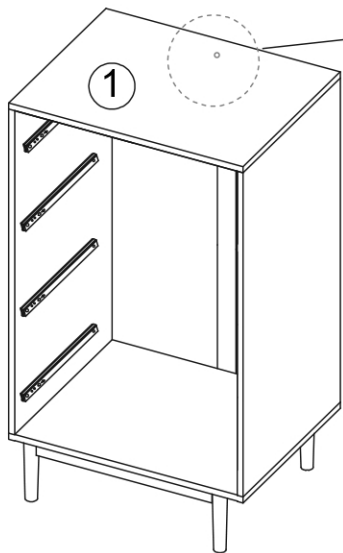


17



Slot in the
4 assembled drawers
as shown.

16



V	1	L	1
---	---	---	---



4x30mm



G	8
---	---

