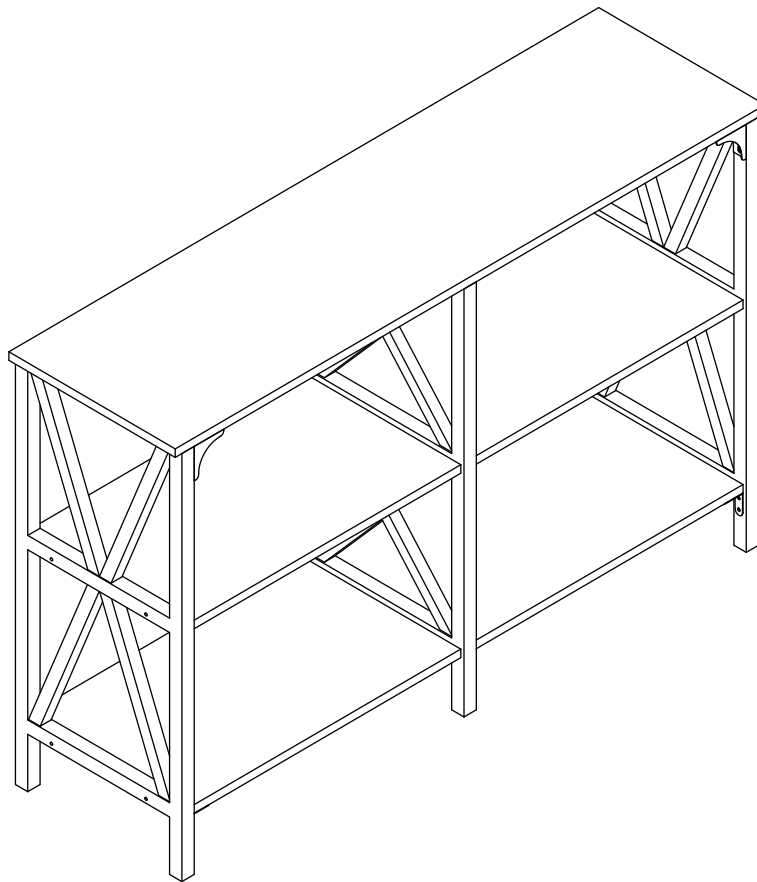


ASSEMBLY INSTRUCTION



FUR-S-TAB-02-IND-BKWD

1. Assembly should only be carried out by an adult.
2. Check periodically that all parts are firmly fixed to ensure safe use.
3. Wipe clean only.



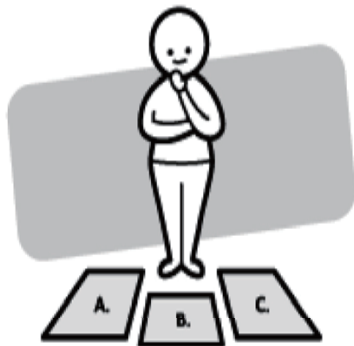
ASSEMBLY CHECKLIST



Read instructions carefully before you begin.



Ensure that you have all the required tools.
Do not use power tools.



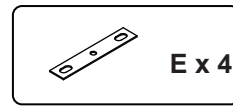
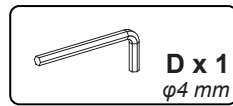
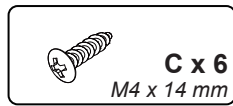
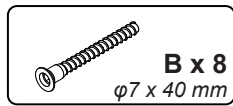
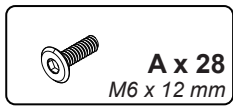
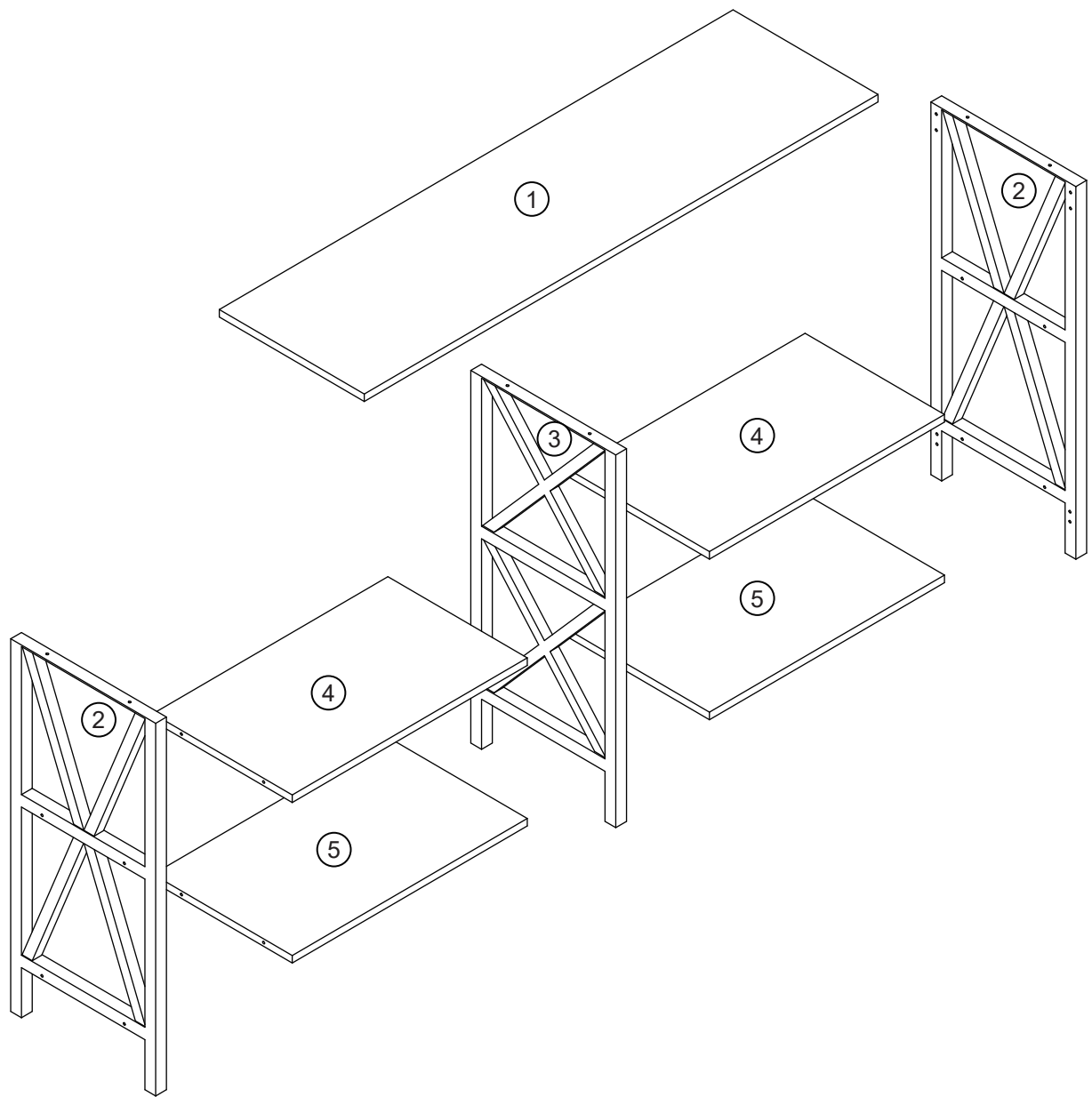
Identify and lay out all the parts before you begin assembly.



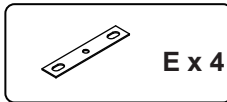
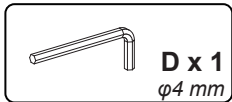
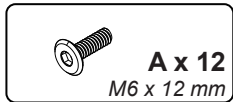
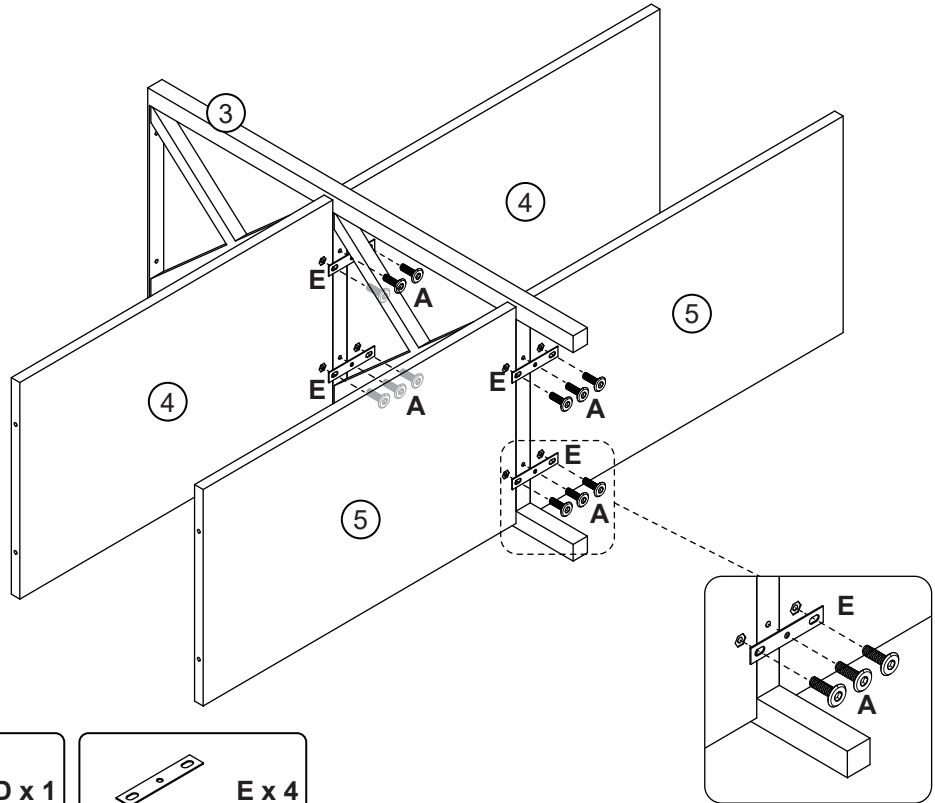
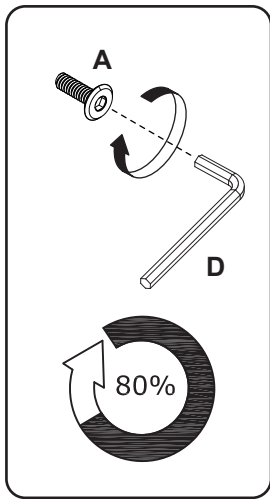
Do not fully tighten all screws until the step or process has finished.

USEFUL TIPS

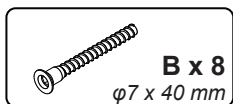
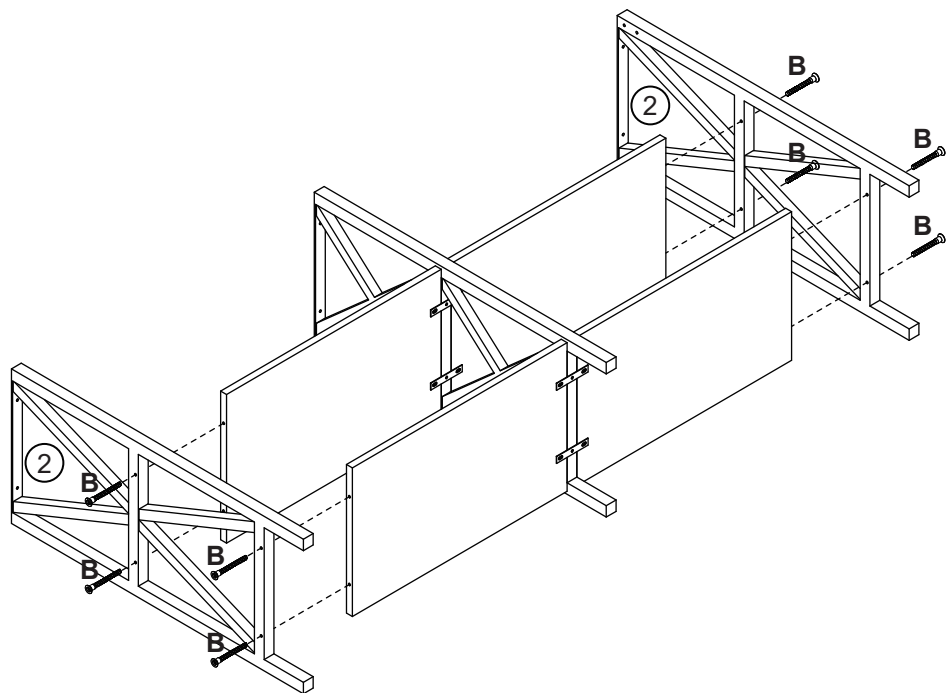
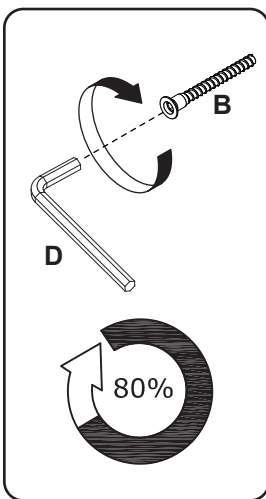
1. Never use power tools. They may damage your parts or hardware if used incorrectly.
2. The most common mistakes made during assembly are using the wrong hardware or getting parts back to front.
3. Always assemble product on a soft surface (such as a carpet or cardboard) to avoid scratches or damage on the product surfaces.



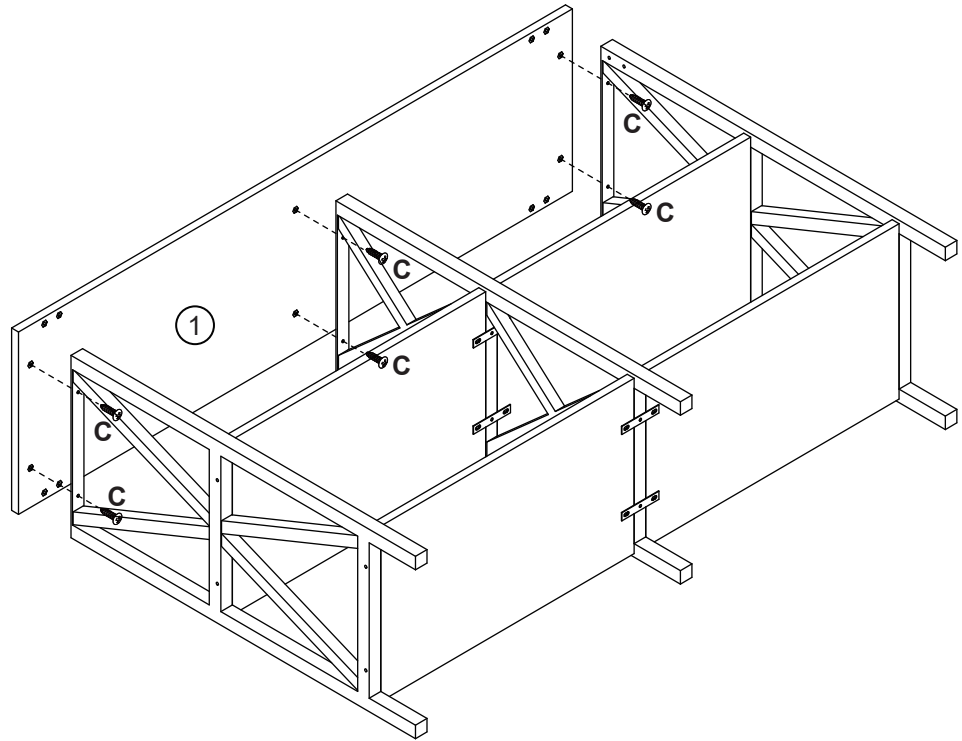
Step 1



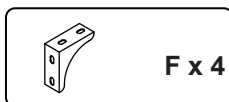
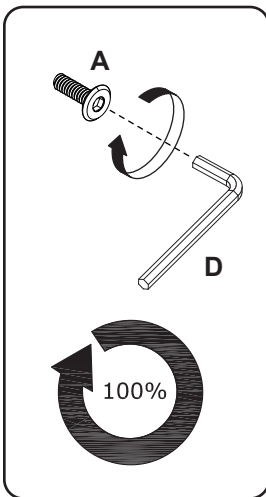
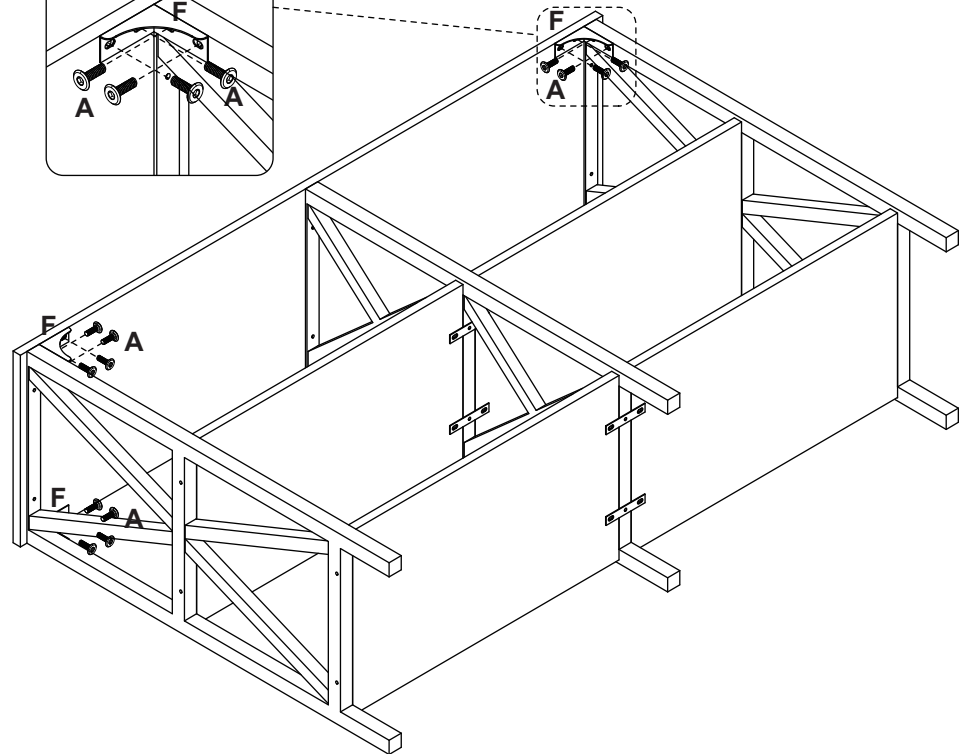
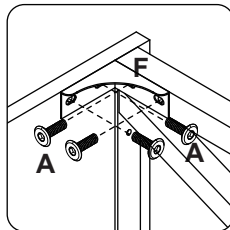
Step 2



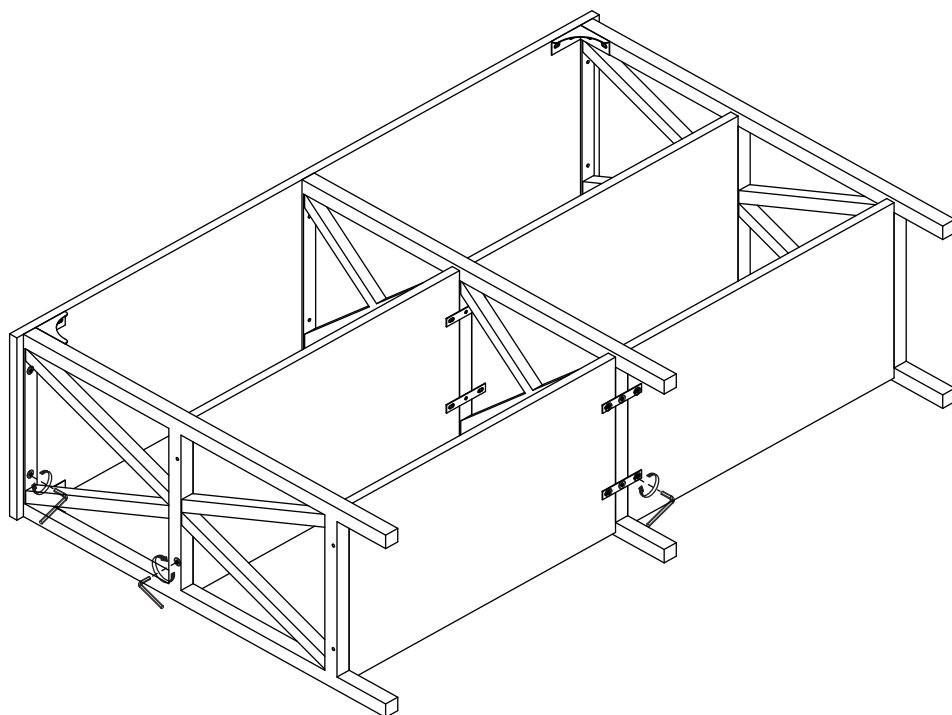
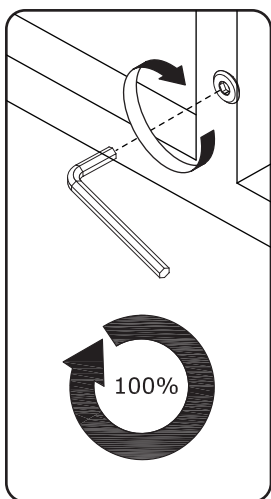
Step 3



Step 4



Step 5



Step 6

