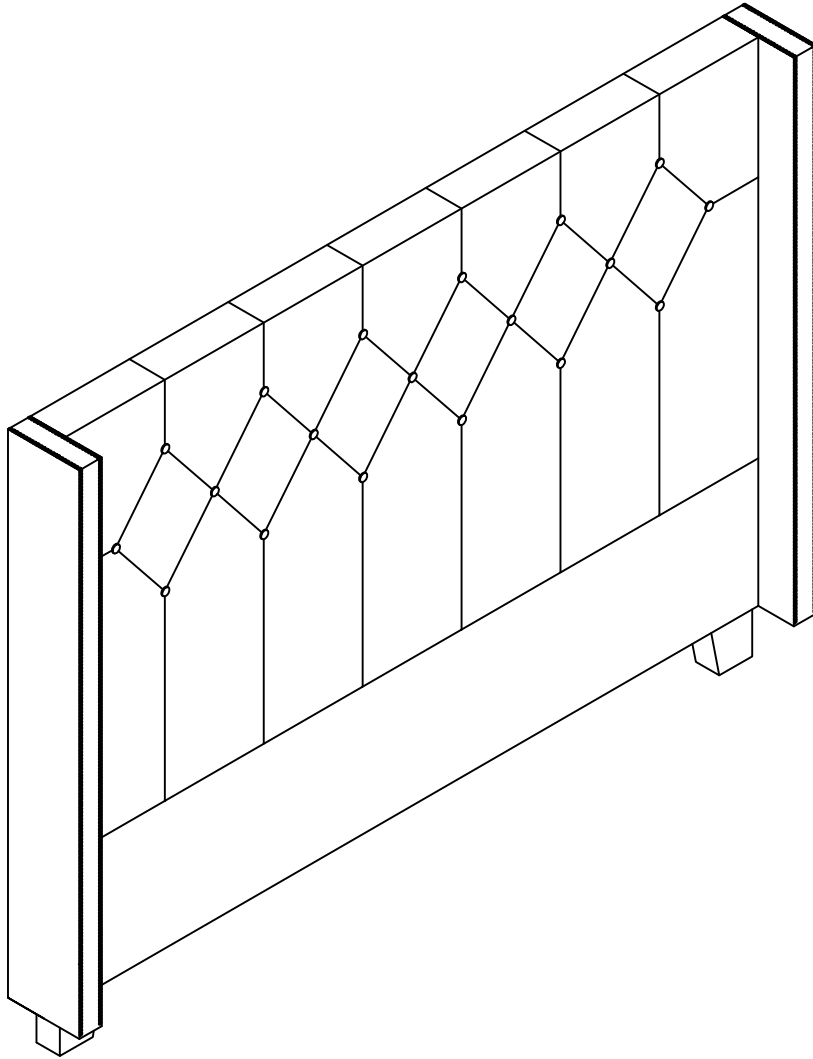




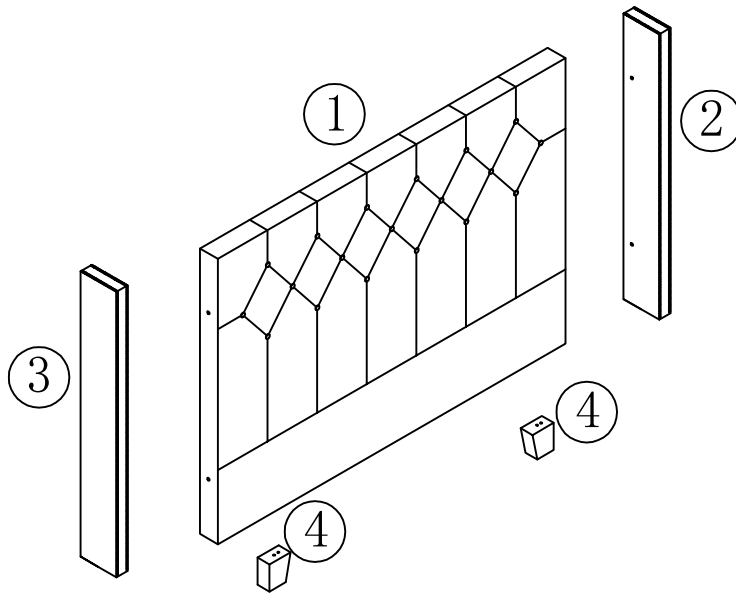
LUCA HEADBOARD ASSEMBLY INSTRUCTIONS



LUCA HEADBOARD IS FOR DOMESTIC USE
AND STRICTLY NOT FOR CONTRACT USE.

Please remove fabric covering at back of headboard to find fixing hardware

Parts list



Hardware list

Label	Picture	Description	Qty	Label	Picture	Description	Qty
A		Bolt M8x50	4	C		Cross Screw 8x70	2
B		Washer M8	4	D		Screw 4x45	2

Tool list

Label	Picture	Description	Qty
T-1		Screw driver (not provided)	1
T-2		Allen key M5	1

Step 1

