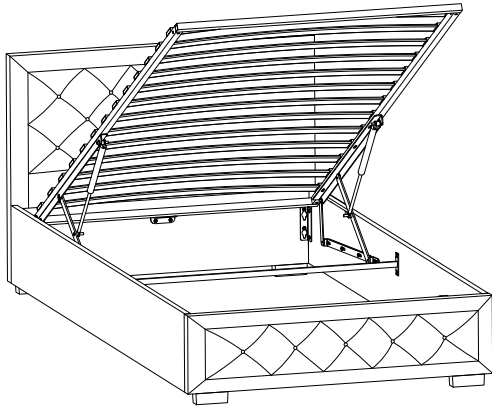




ASSEMBLY INSTRUCTIONS

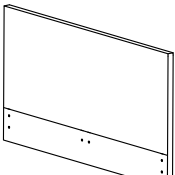
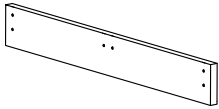
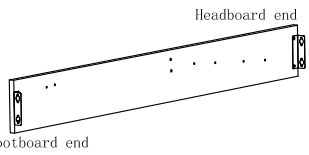
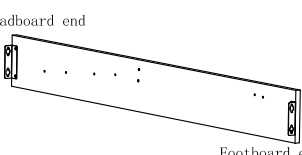
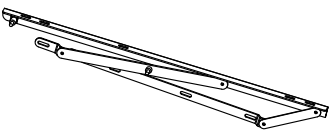
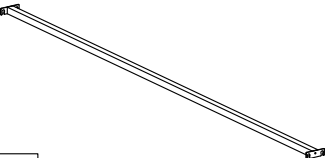
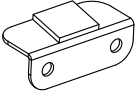
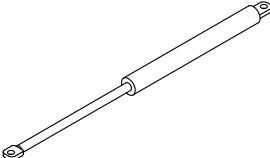
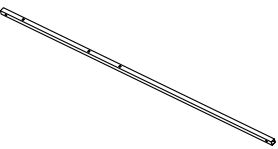
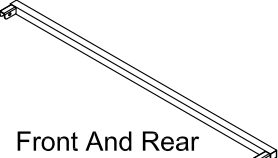
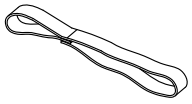

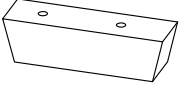


GAS-LIFT BED FRAME (KING SINGLE SIZE)

MODEL: BFRAME-G-GAS-TIYO-KS



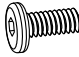








Top tips before assembly



1. Check that all parts are present before starting the assembly.
2. For ease and speed of assembly, it is recommended that all parts and hardware required for that step are identified before commencing assembly.
3. Place the product on a soft and padded surface to do the assembly to prevent damage to the finishes and surfaces of the product.
4. During assembly, do not over-tighten any fitting as this may damage the product.

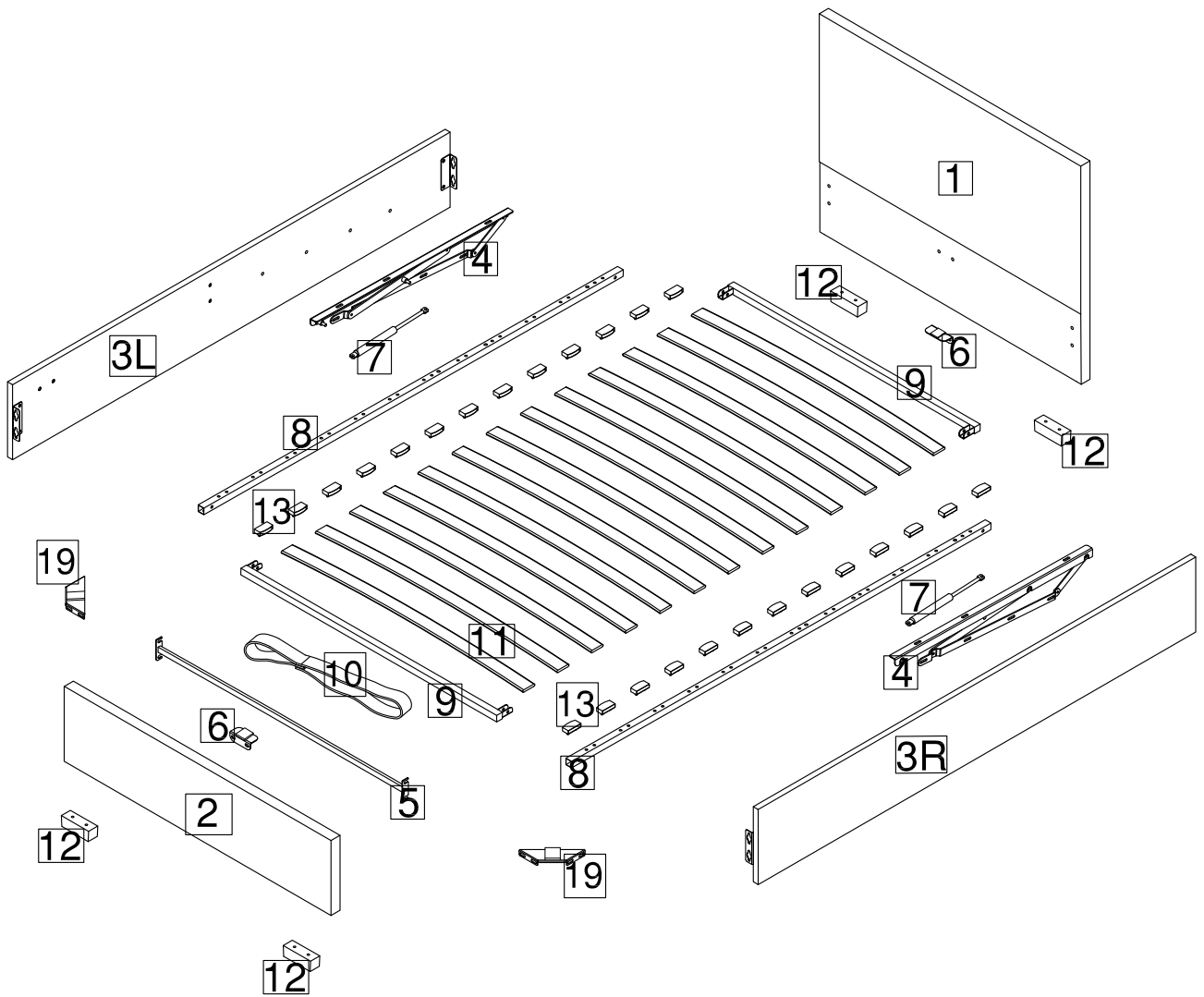
 1 Headboard 1pc	 2 Footboard 1pc	 3L Side Rail Left 1PC	 3R Side Rail Right 1PC
 4 Hinge 2pcs	 5 Reinforced Pipe 1pc	 6 Angle Iron 2pcs	 7 Gas Strut 2pcs
 8 Bedstead Side Pipe 2pcs	 9 Front And Rear Frameworks 2pcs	 10 Rope 1pc	 11 Slats 13pcs
 12 Leg 4pcs	 13 Plastic Slat Caps 26pcs	 19 Metal Corner Bracket 2pcs	

Hardware List


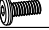

 A M8x40mm Bolt 10pcs	 B M8x30mm Bolt 8pcs	 C M8x16mm Bolt 12pcs	 D Plastic washer 8PCS	 E M6x35mm Bolt 8pcs
 F M8 Nut 14pcs	 G Spanner 1PC	 H Allen Key 1PC	 L Flat Washer 8PCS	

NOTE
The M8 bolts J are pre-installed in the headboard and footboard and bolts K are pre-installed in the side rails. Loosen them by turning them anti-clockwise until they are about 12mm out to begin assembly with other parts of the bed frame.

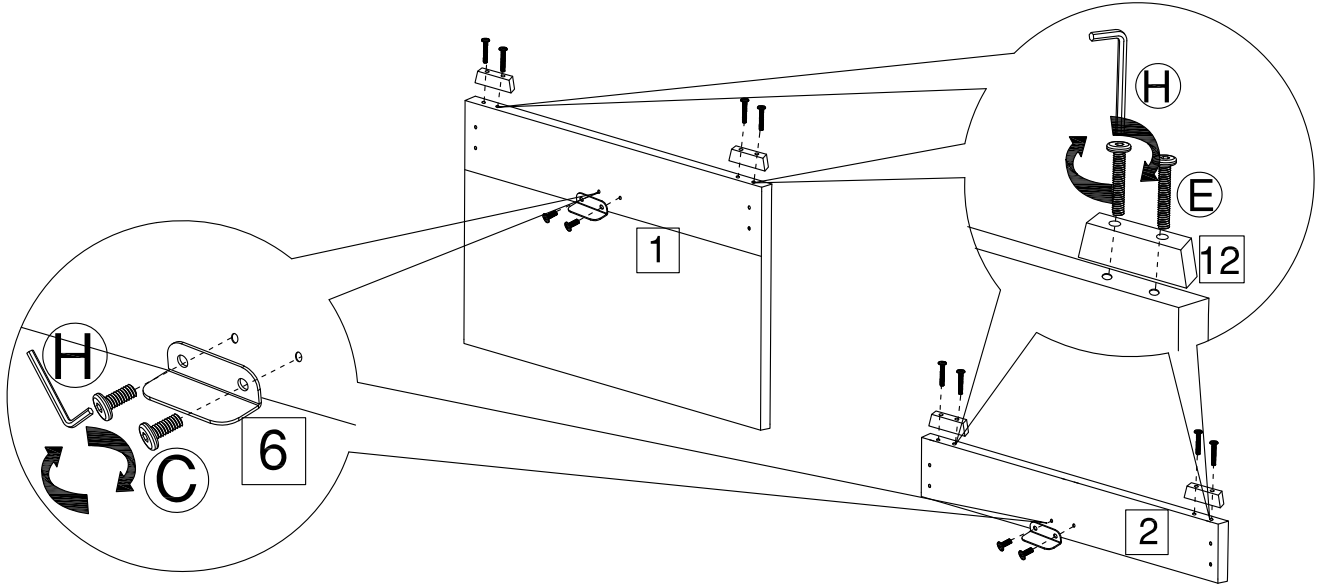
 J M8x25mm Bolt 8PCS	 K M8x18mm Bolt 4PCS
---	---







Step 1:

- E**  8PCS
- C**  4PCS
- H**  1PC

Attach the legs (12) to the headboard (1) and footboard (2) with M6 bolts (E). Then attach the angle irons (6) to the headboard (1) and footboard (2) with M8 bolts (C).



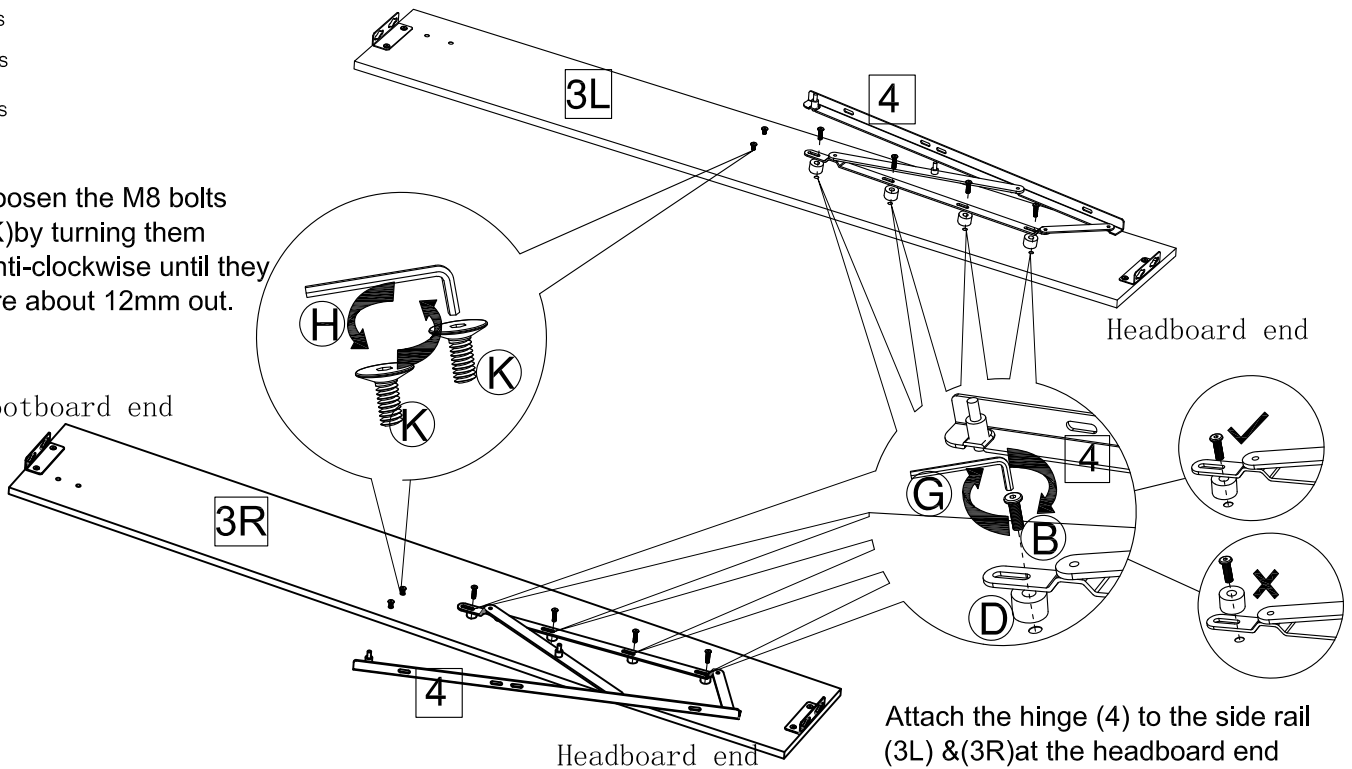
Step 2:

- K**  4PCS
- B**  8PCS
- D**  8PCS
- H**  1PC

Loosen the M8 bolts (K) by turning them anti-clockwise until they are about 12mm out.

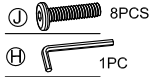
Footboard end

Footboard end

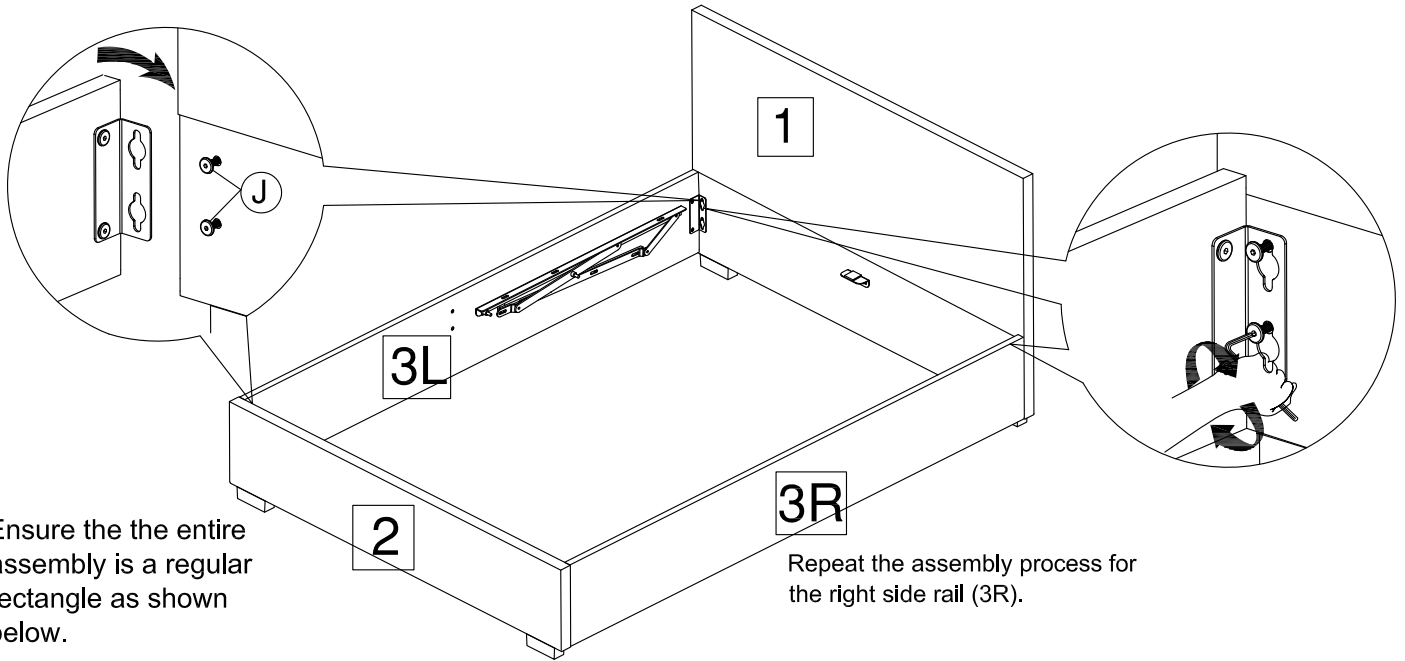


Attach the hinge (4) to the side rail (3L) & (3R) at the headboard end with M8 bolts (B) Plastic washer (D) as shown below.

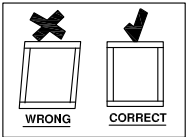
Step 3:



Loosen the M8 bolts (J) by turning them anti-clockwise until they are about 12mm out before attaching the side rail assembly (3L) to the headboard (1) and footboard (2).

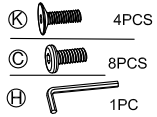


Ensure the the entire assembly is a regular rectangle as shown below.

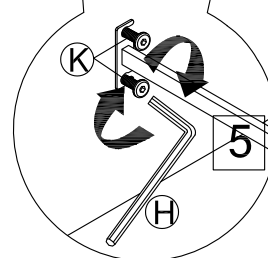
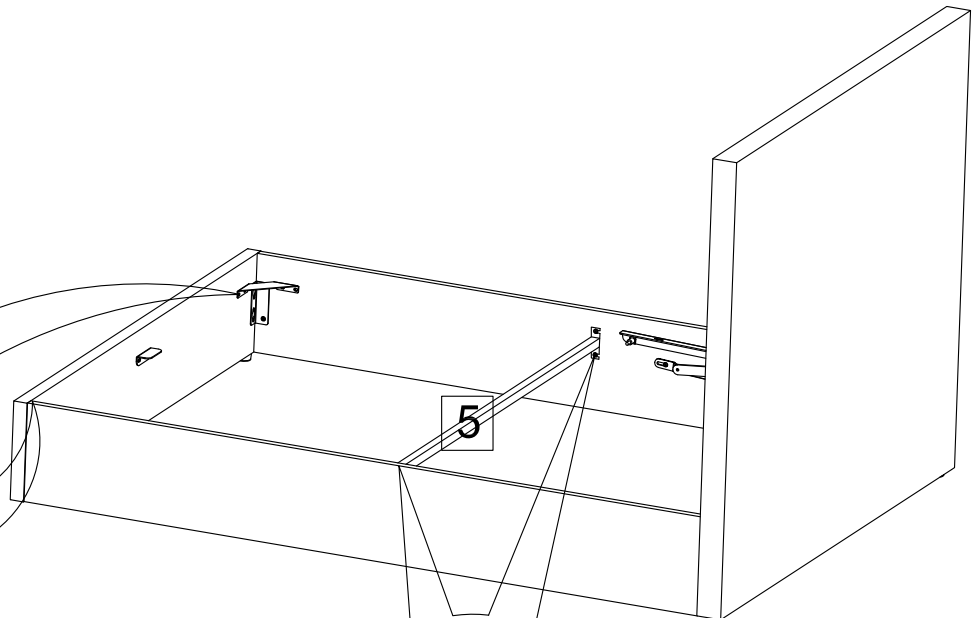
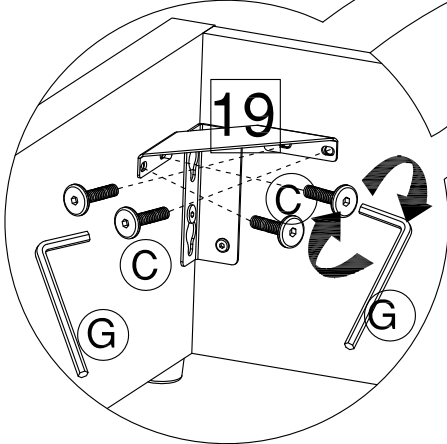


Repeat the assembly process for the right side rail (3R).

Step 4:








Connect metal corner bracket (19) to side rail and footboard with M8 bolts (C).



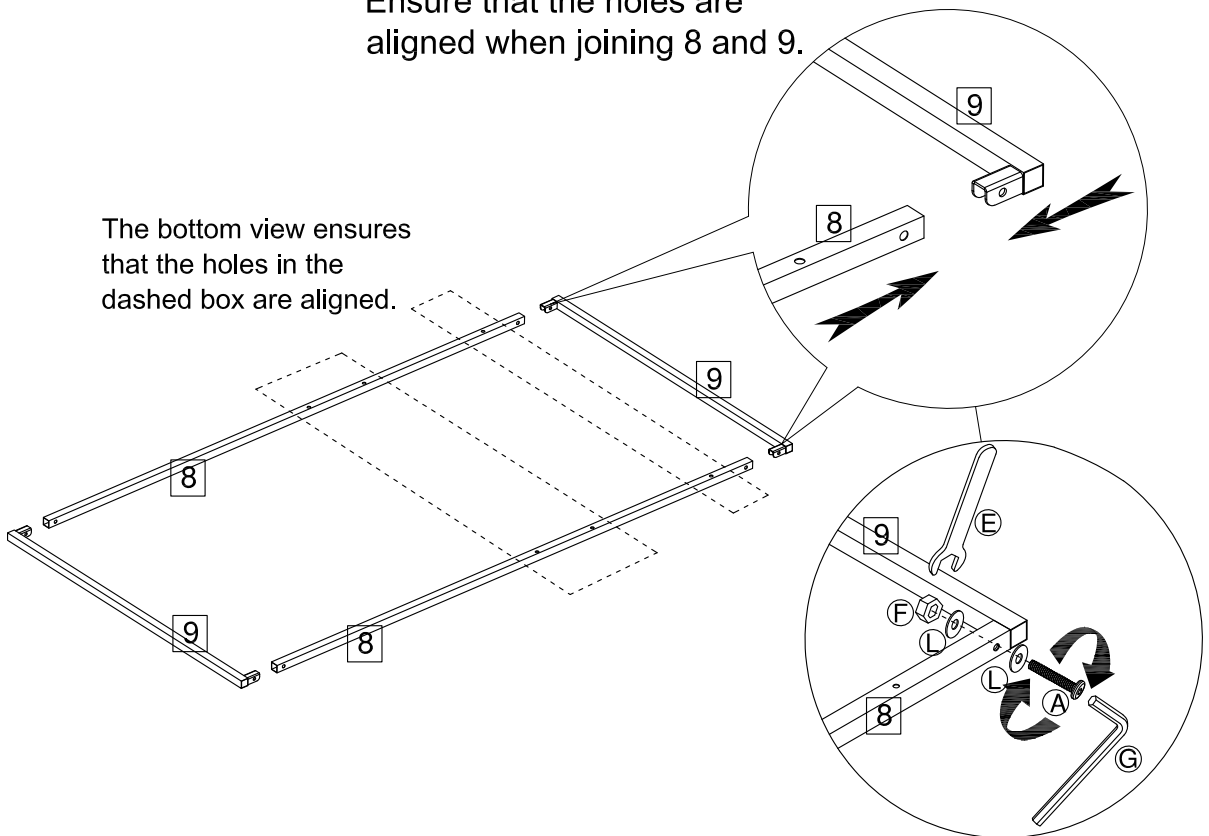
Attach the reinforced cross pipe (5) to the bed frame with M8 bolts (K).

Step 5:

- A**  4PCS
- F**  4PCS
- G**  1PC
- H**  1PC
- L**  8PCS



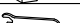

Ensure that the holes are aligned when joining 8 and 9.

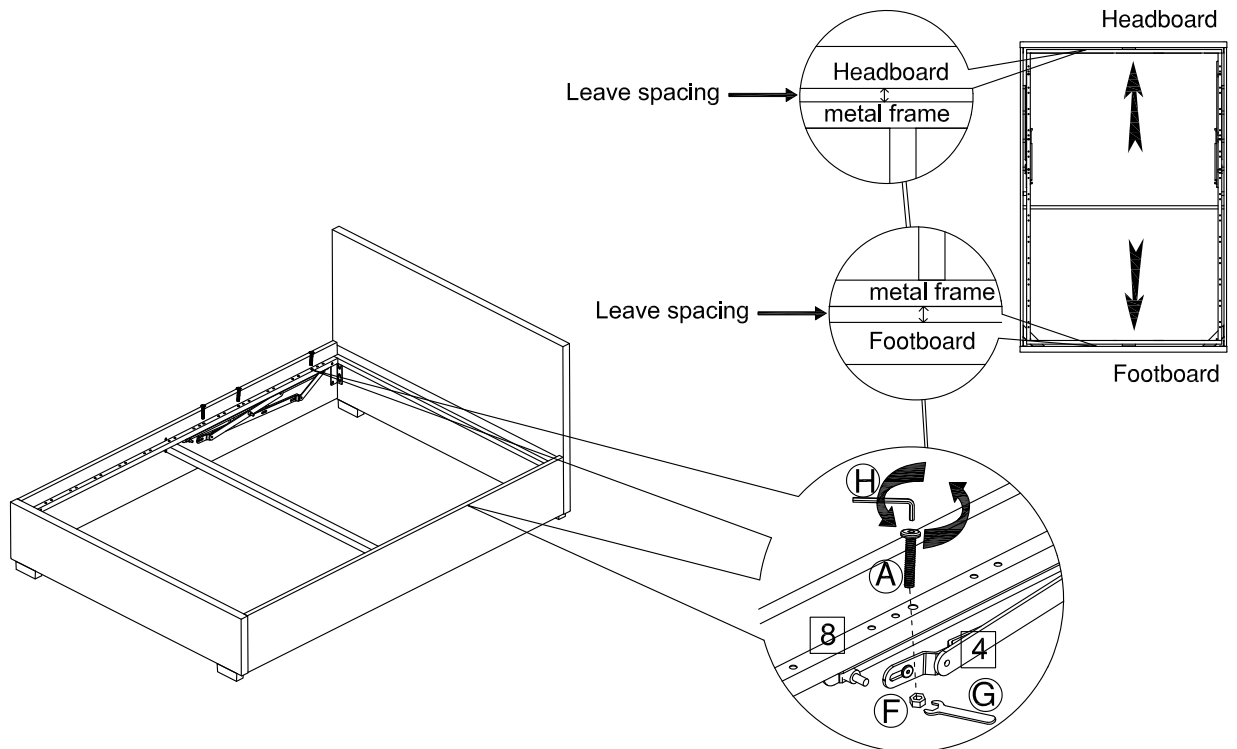
The bottom view ensures that the holes in the dashed box are aligned.



Assemble the interior framework (8 and 9) as shown with M8 bolts (A) Flat Washer(L) Non-slip nuts(F).

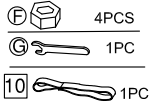
Step 6:

- A**  6PCS
- F**  6PCS
- G**  1PC
- H**  1PC

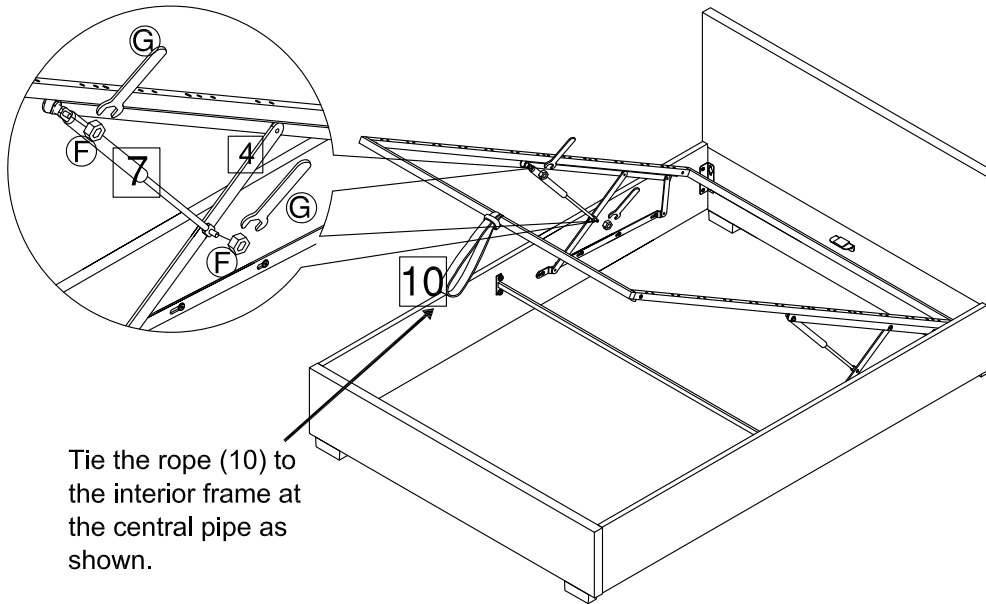


First, use the M8 bolts (A) and M8 nuts (F) to connect the side pipe (8) to the hinge (4). At this stage, do not fully tighten the M8 bolts (A) to allow for some adjustment between the headboard, footboard and metal frames. There should be some spacing between the headboard, footboard and the metal frames. Once every part is aligned, fully tighten all M8 bolts (A).

Step 7:

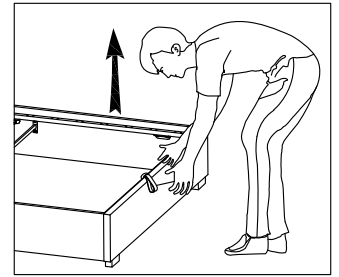


Attach the gas struts (7) to the hinge (4) with M8 nuts (F) as shown.



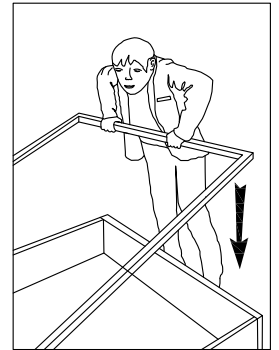
Tie the rope (10) to the interior frame at the central pipe as shown.

LIFTING THE BED FRAME



Pull the rope with both hands to lift the bed frame.

LOWERING THE BED FRAME



To lower the bed frame, press it down with both hands as shown.

Step 8:



Attach the plastic slat caps (13) to each slat (11) at the side. Then press down the caps into the corresponding holes on the side pipes (8) as shown.

