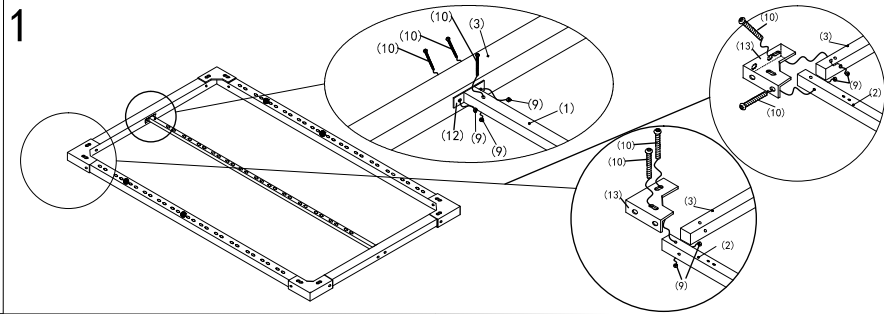


ASSEMBLY DIAGRAM

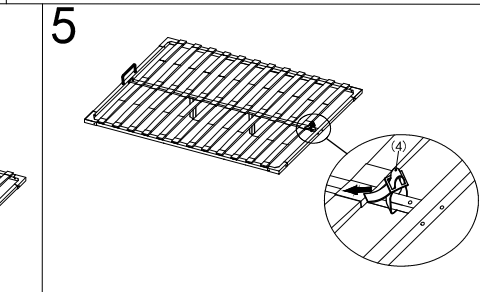
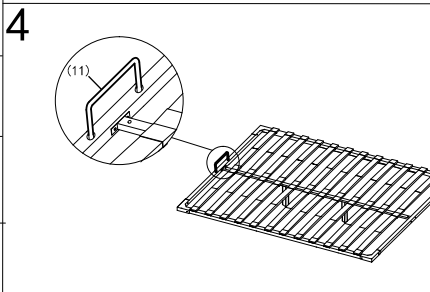
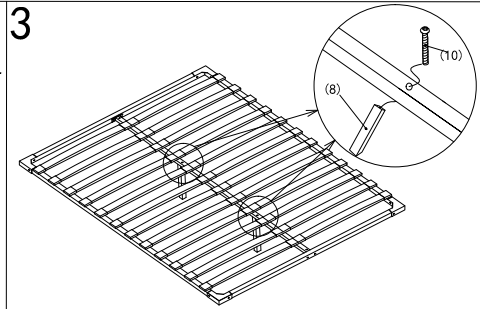
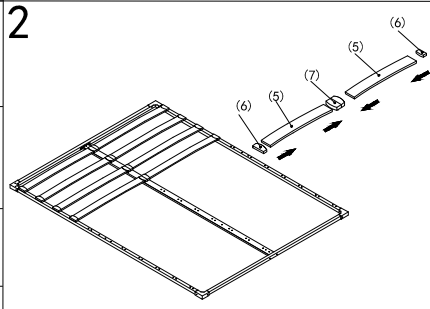
TIYO BED FRAME

IMPORTANT NOTE:

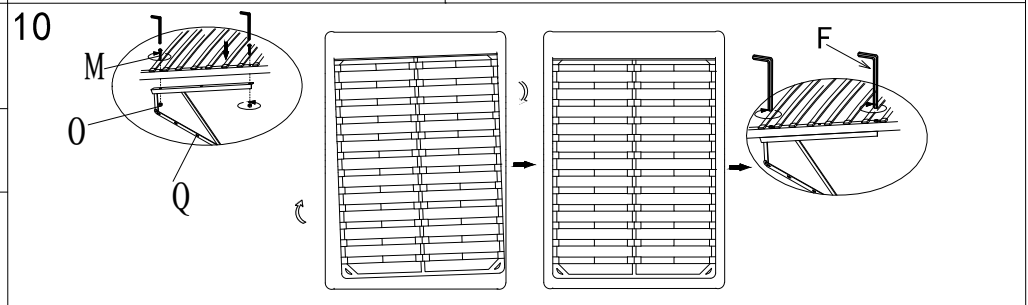
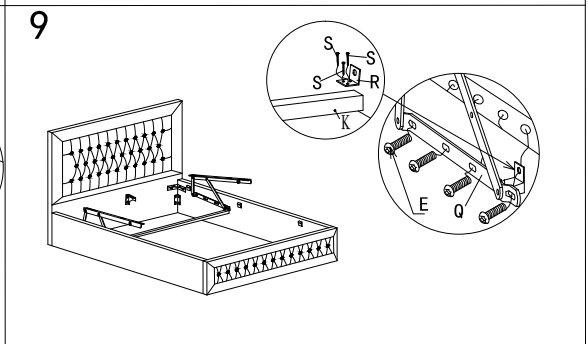
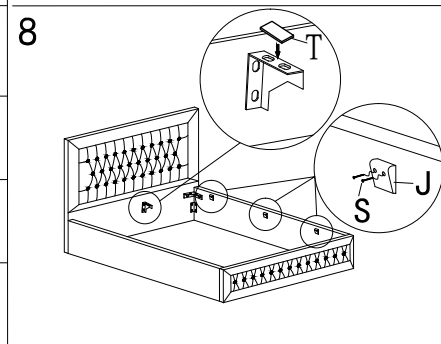
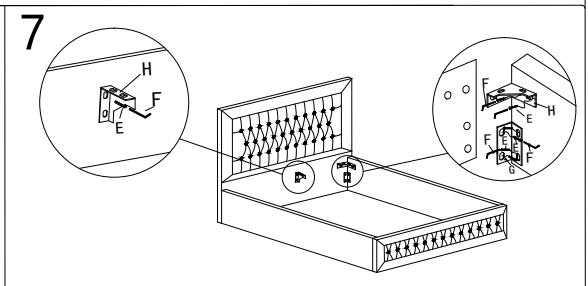
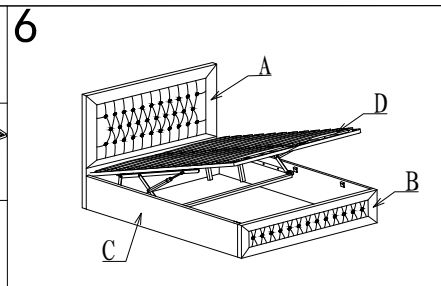
※ PLACE ALL PARTS ON A CLEAN AND SMOOTH SURFACE SUCH AS A RUG OR CARPET TO AVOID THE PARTS FROM BEING SCRATCHED.
 ※ KINDLY FOLLOW THE ASSEMBLY INSTRUCTIONS STEP BY STEP.
 ※ DO NOT TIGHTEN ALL SCREWS UNTIL THE BED IS FULLY SET-UP.



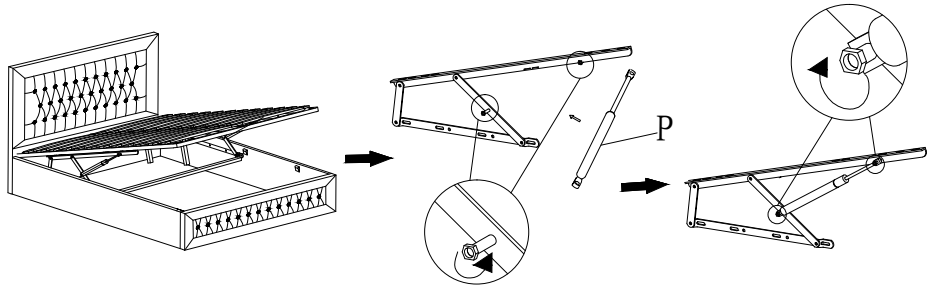
(1) x1	(2) x2
(3) x2	(4) x1
(5) x24	(6) x24
(7) x12	(8) x2
(9) x22	(10) x24 (8*40)
(11) x1	(12) x2
(13) x4	



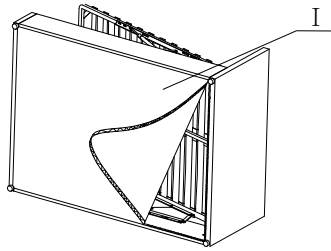
Ax1	Bx1
Cx2	Dx1
Ex42 (8*20)	Fx1
Gx4	Hx5
Ix1	Jx6
Kx1	Lx1
Mx4 (8*50)	Nx1
Ox4	Px2
Qx2 85cm	Rx2
Sx18 (3*20)	Tx1



11



12



13

