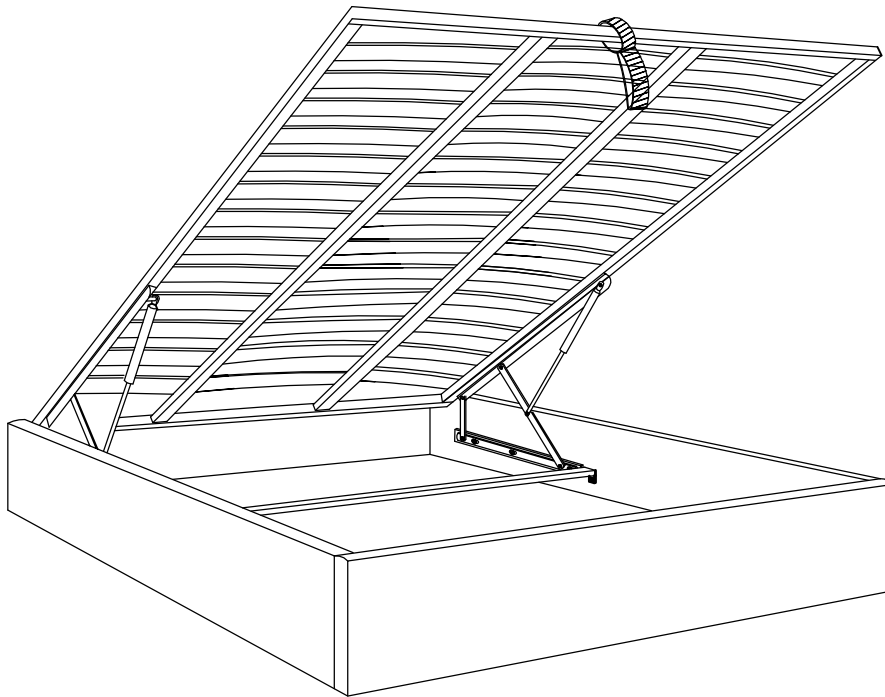


ASSEMBLY DIAGRAM

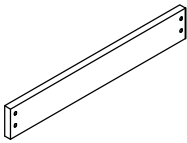
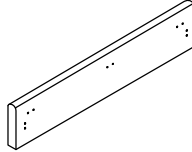
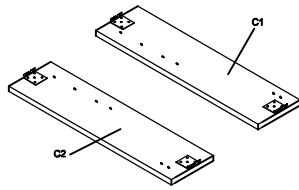
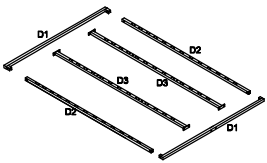
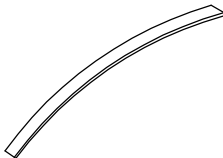
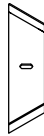
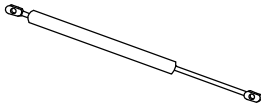
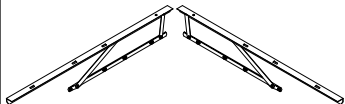
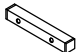
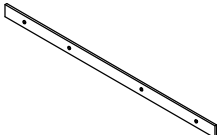

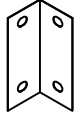
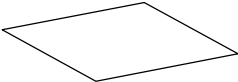
TOKI GAS LIFT BED FRAME

IMPORTANT NOTE:

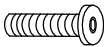
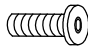
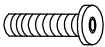







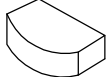

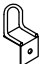



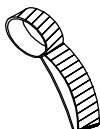
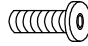
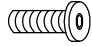
- ※PLACE ALL PARTS ON A CLEAN AND SMOOTH SURFACE SUCH AS A RUG OR CARPET TO AVOID THE PARTS FROM BEING SCRATCHED.
- ※KINDLY FOLLOW THE ASSEMBLY INSTRUCTIONS STEP BY STEP.
- ※DO NOT TIGHTEN ALL SCREWS UNTIL THE BED IS FULLY SET-UP.



Parts List

A: HEAD BOARD 1PC 	B: FOOT BOARD 1PC 	C: SIDE RAIL 2PCS 	D: BEDSTEAD KD 1SETS 
E: SLAT 39PCS 	F: ANGLE IRON 2PCS 	G: STEAM MOVING BAR 2PCS (ASSEMBLED WITH H ALREADY) 	H: STEAM MOVING MECHANICA 2PCS 
I: SQUARE TUBE 1PC 	J: THIN WOODEN PLATE 2PCS 	K: 1PC 	L: CONNECTOR 2PCS 
M: Non-Moven Bed Base 1PC 			

Hardware List

1: BOLT 18PCS  M8X45mm	2: BOLT 4PCS  M8X30mm	3: BOLT 8PCS  M6X40mm	4: BOLT 12PCS  M6X20mm	5: ALLEN KEY 1PC 	6: NUT 18PCS  M8	
7: FLAT WASHER 32PCS  M8	8: SPRING WASHER 32PCS  M8	9: ALLEN KEY 1PC  M8	10: SPANNER 1PC 	11: SLAT CAP 26PCS 	12: DOUBLE PLASTIC CAP 26PCS 	
13: ANGLE IRON 2PCS 	14: ALLEN KEY 1PC  M6	15: FLAT WASHER 20PCS  M6	16: SPRING WASHER 20PCS  M6	17: 1PC 	18: BOLT 2PCS  M8X55mm	19: BOLT 8PCS  M8X25mm

STEP 1

2  4PCS

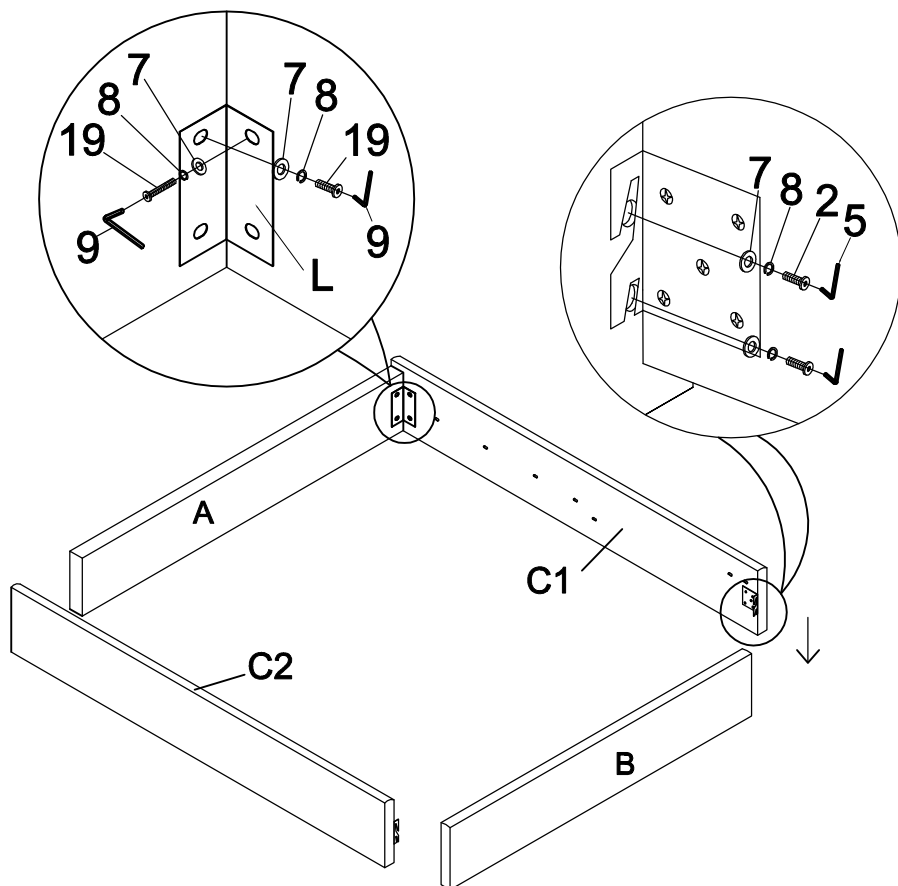
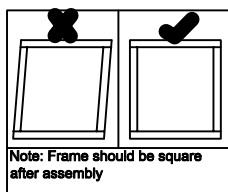
19  8PCS

7  12PCS


8  12PCS

9  1PC

L  2PCS



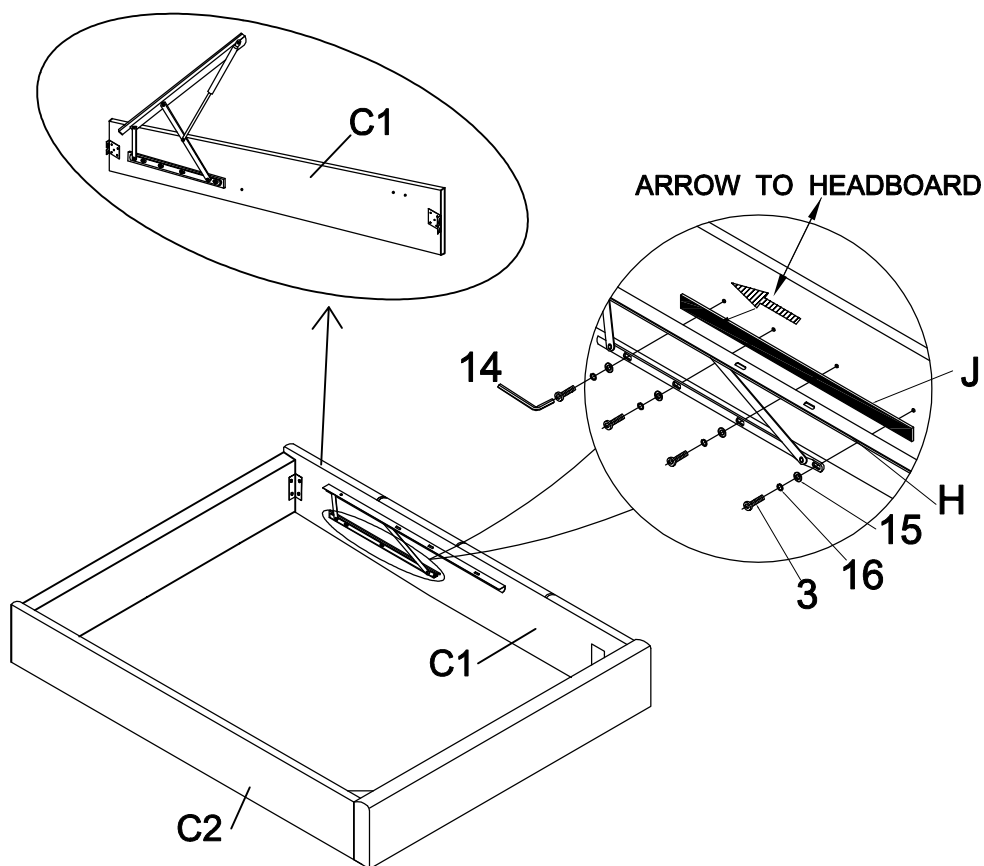
STEP 2

3  8PCS

15  8PCS


16  8PCS

14  1PC



After C1's assembly, it's applicable for C2

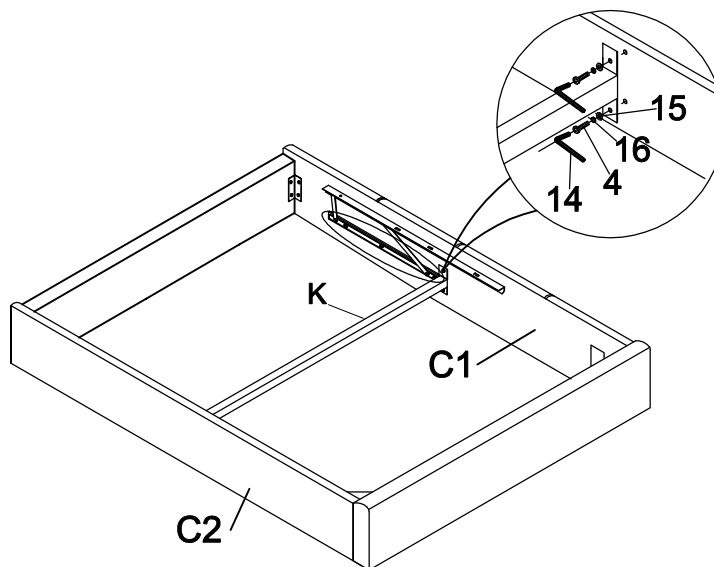
STEP 3

4  4PCS


15  4PCS

16  4PCS


14  1PC

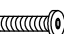


STEP 4

4  8PCS


15  8PCS


16  8PCS

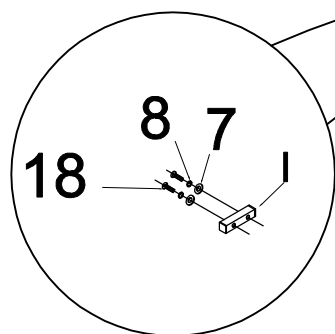
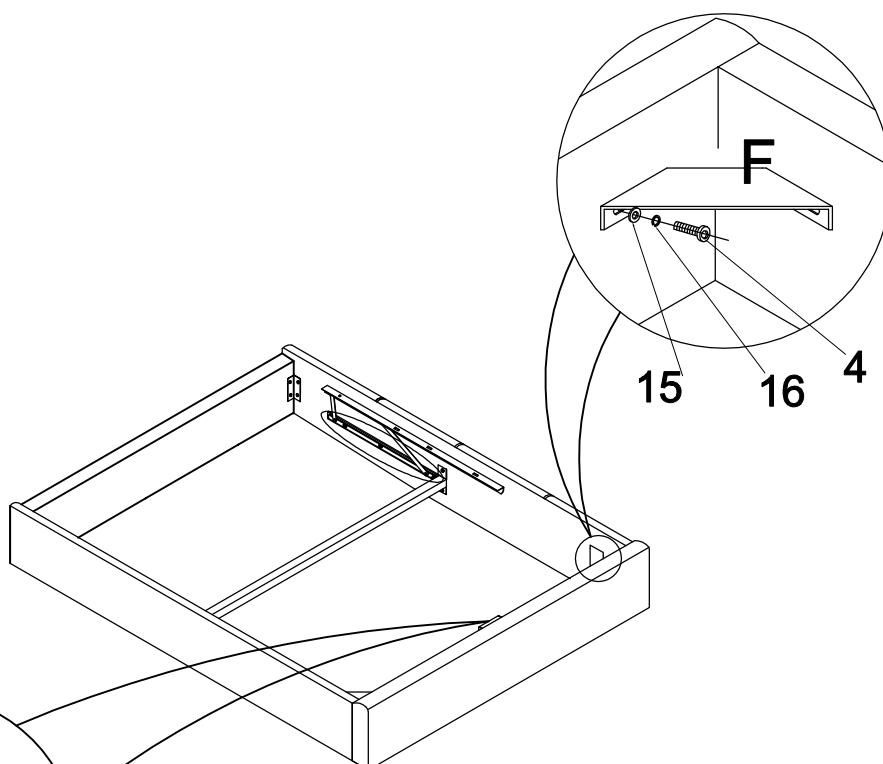
18  2PCS

7  2PCS

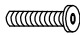
8  2PCS

I  1PC


F  2PCS



STEP 3

1  14PCS

7  14PCS

8  14PCS

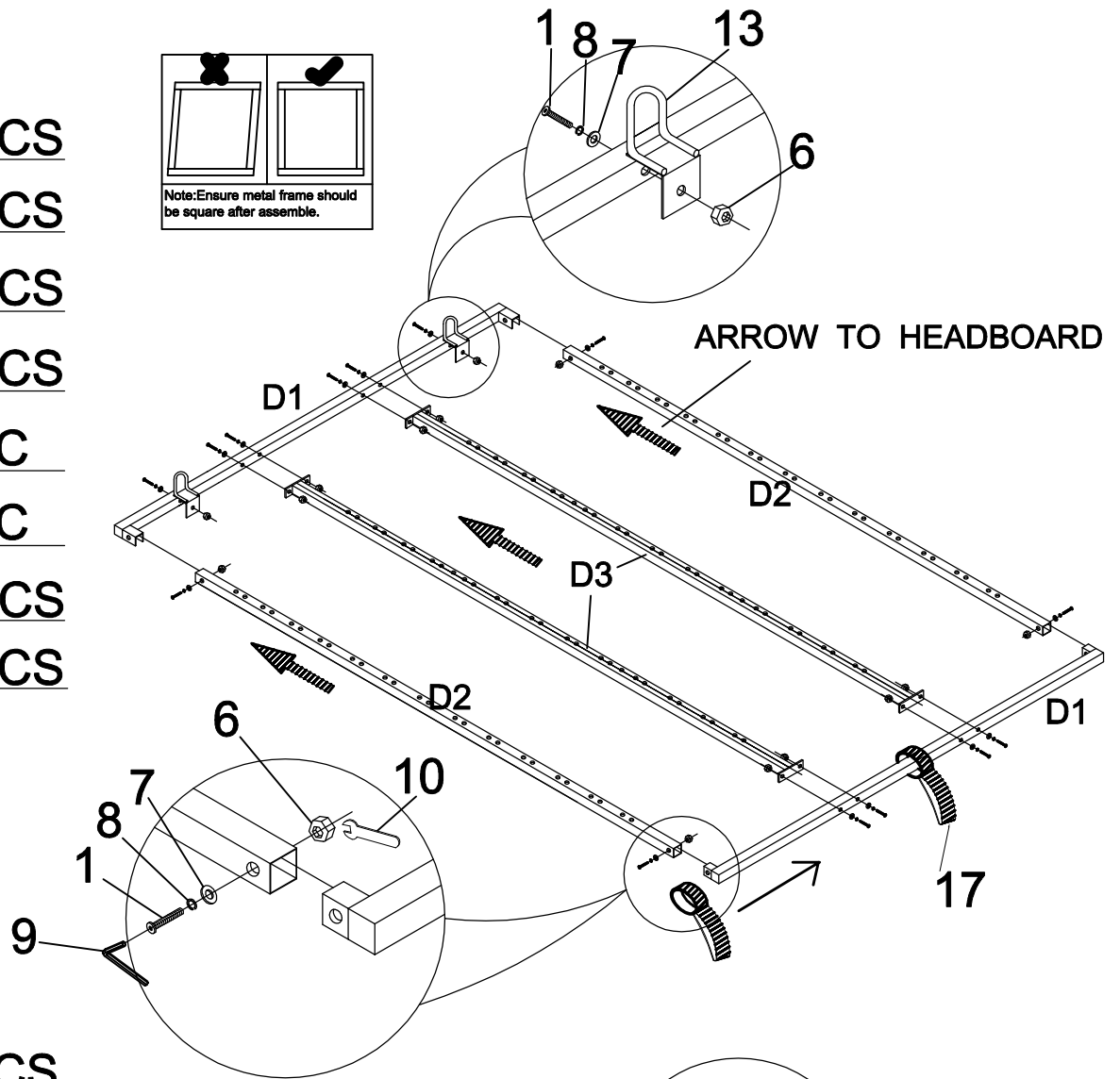
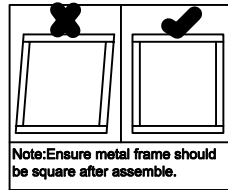
6  14PCS

9  1PC


10  1PC

13  2PCS

17  1PCS



STEP 4

1  4PCS

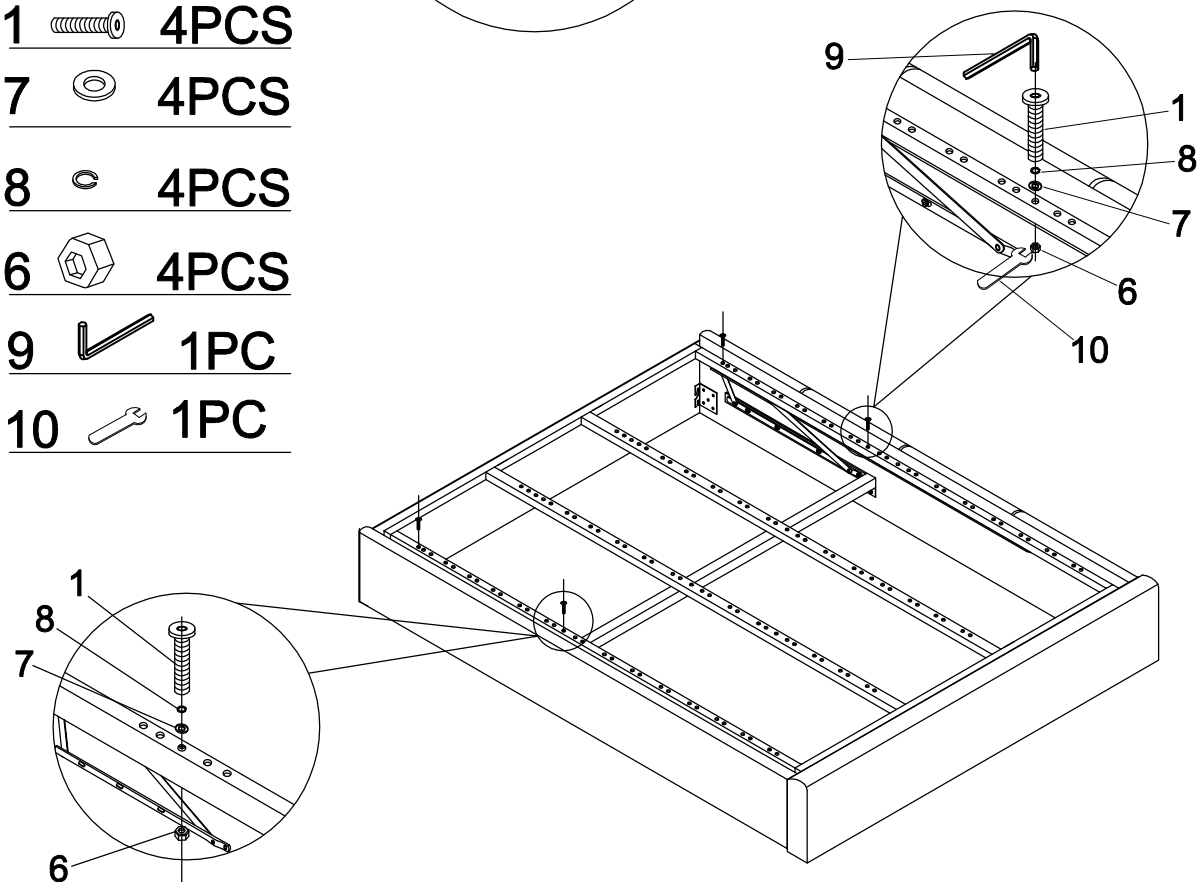
7  4PCS

8  4PCS

6  4PCS

9  1PC

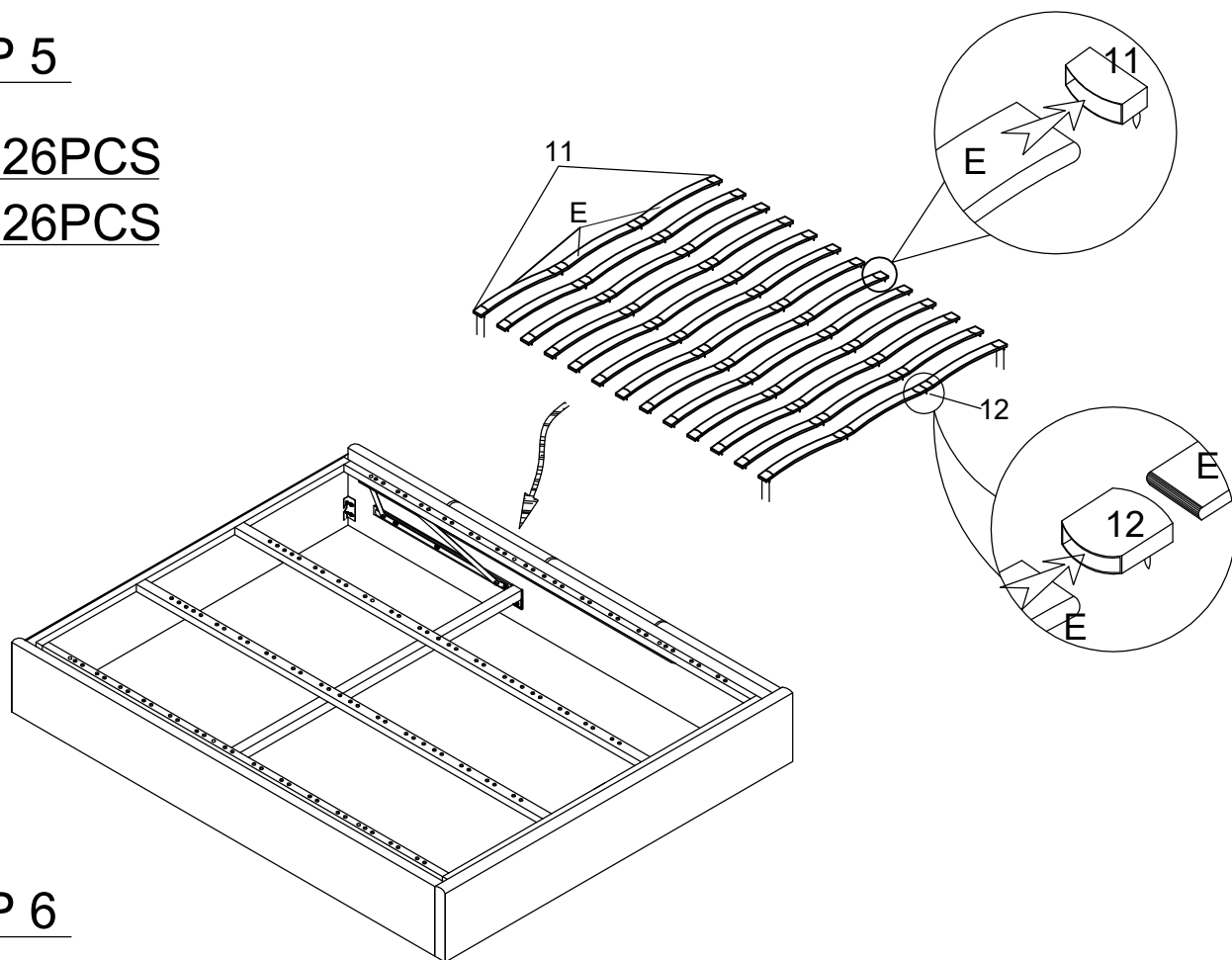
10  1PC



STEP 5

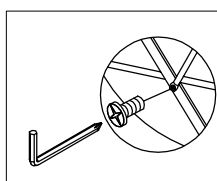
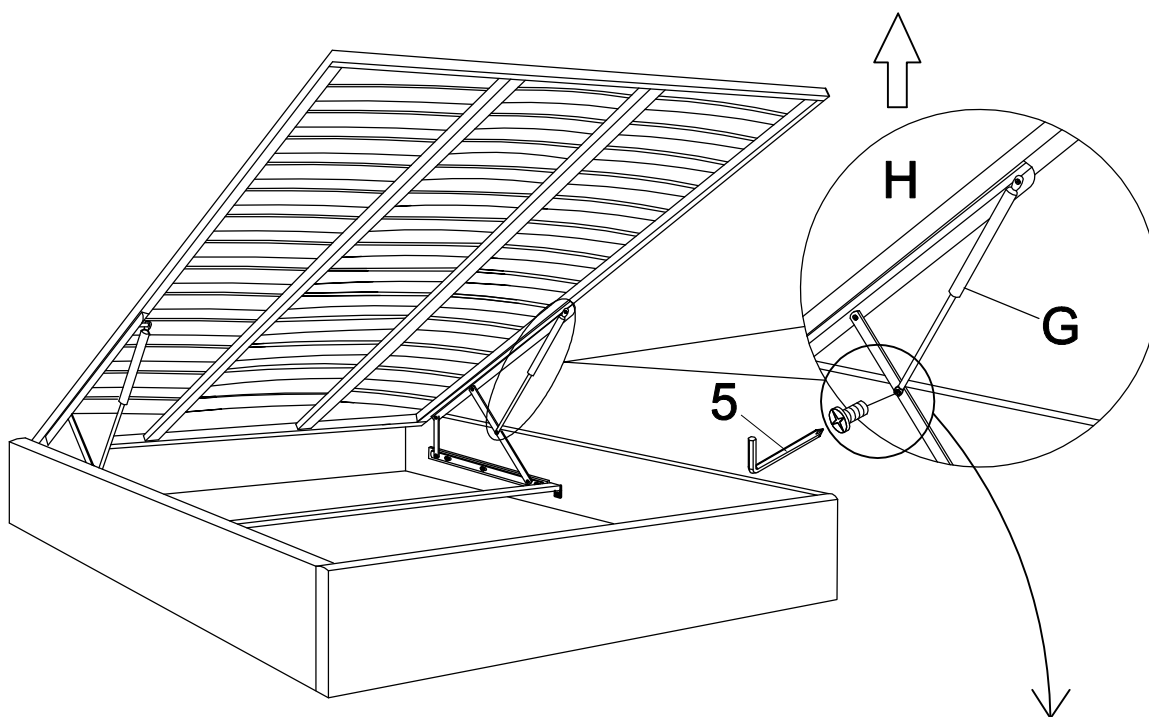
11  26PCS

12  26PCS




STEP 6

5  1PC



Lifting the base, remove the bolt shown (1pc) from Part H. ensuring that the base is supported and will not come down. Screw the bolt back in tightly

STEP 7

M  1PC

