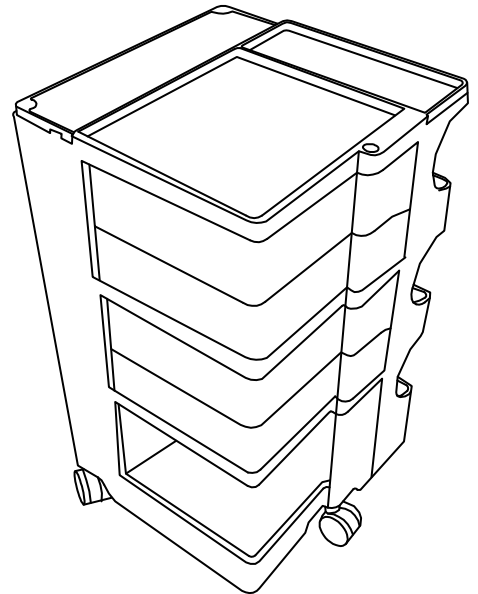


## Assembly Instructions

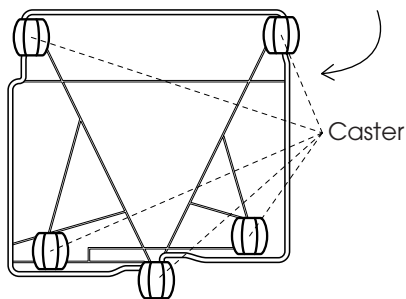
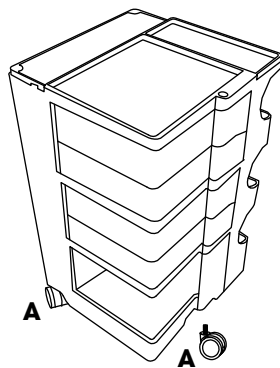
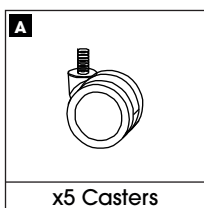
Please read through these instructions and ensure they are kept for future reference. All parts are listed on this guide.

## Trolley Care Instructions

Dust regularly with a clean, dry cloth. Wipe up any spills immediately with a damp cloth and then dry the surface with a clean, dry cloth. Never use abrasive or corrosive cleaning agents. Always use placemats and coasters to protect the surface from moisture and heat. Avoid sharp objects scratching the surface. Avoid placing on uneven surfaces.

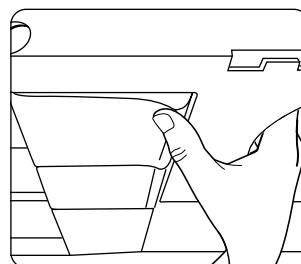
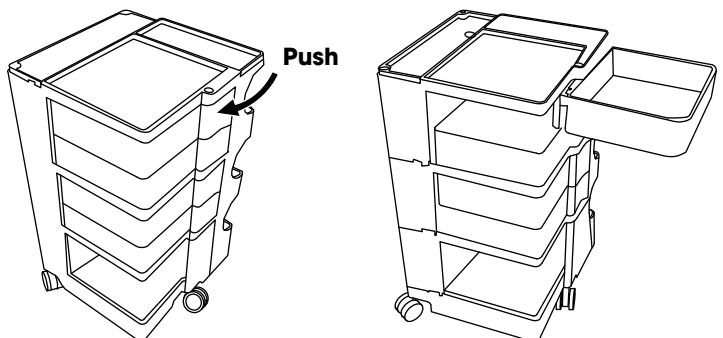


### Trolley Parts

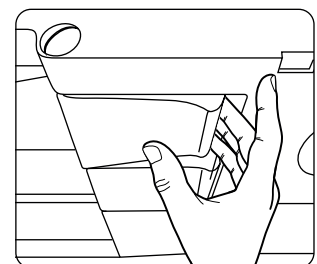


Insert the caster wheels into holes at the bottom of the trolley. And then, push the metal-locking mechanism firmly into holes to lock in place.

### How to Open the Drawer



✓ Push the drawer to open as indicated above.



✗ **Caution:** Inserting your hand can result in injury.