

Assembly Instructions

Please read through these instructions and ensure they are kept for future reference. All parts are listed on this guide.

Care Instructions

Wipe clean with a damp or dry cloth. Do not use abrasive materials and solvents. Do not place hot objects such as coffee cups directly on the surface of this furniture. Keep away from water and direct sunlight. Place it on an even surface. Please be aware that this item is for indoor and domestic use only.

Warning

Do not stand or sit on this unit. Do not use this unit unless all bolts and screws are firmly secured. Use only on an even surface. This package contains small parts and sharp points. Keep away from children and babies. Adult assembly required.

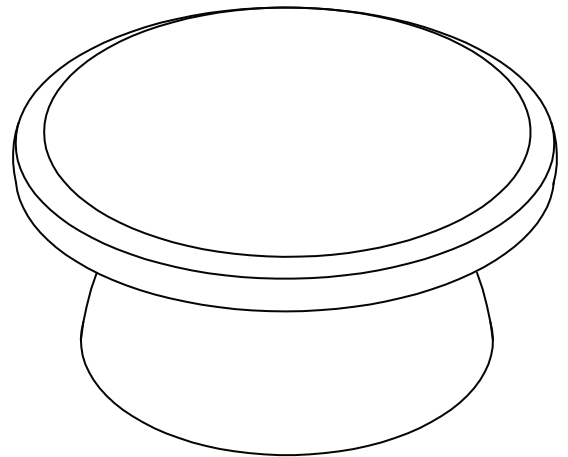
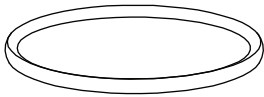
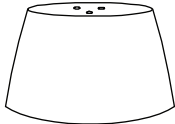




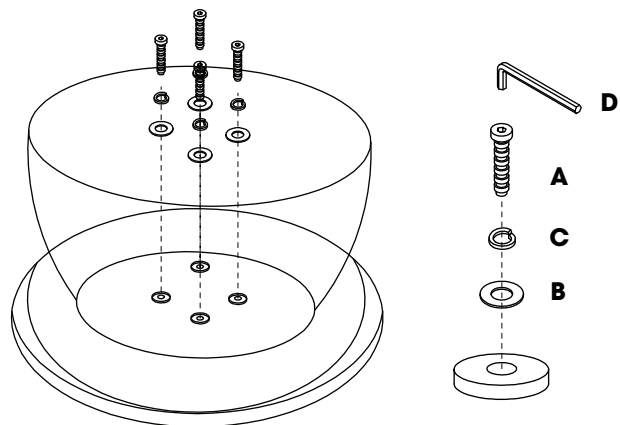


Table Parts & Hardware

<p>1</p> 	<p>2</p> 		
<p>x1 Table Top</p>	<p>x1 Table Frame</p>		
<p>A</p> 	<p>B</p> 	<p>C</p> 	<p>D</p> 
<p>x4 Screws</p>	<p>x4 Flat Washers</p>	<p>x4 Spring Washers</p>	<p>x1 Hex Key</p>



Lay the tabletop (1) on the ground with a screw hole upwards, followed by keeping the table frame (2) on the tabletop with a screw hole upwards. Then, properly install the flat washer (B), spring washer (C) and screw (A) in the screw hole and fasten it using the hex key (D); turn the table upright, and you are ready to use it.