

9

Using a screwdriver attach the handle (6) with the small washers (4) and small screws (5).

10

Gaps may appear between the top of the doors and the frame if the item is not on level ground; use the plastic foot cover to level.

11

Using a screwdriver, attach the anti-dumping device (9) with the self-locking screw (8).

12

After punching holes in the wall and placing expansion bolts (10), fix the anti-dumping device (9) with expansion screws (11).

CAUTION
TIP OVER
HAZARD

Serious or fatal crushing injuries can occur from furniture tip over. To prevent tip over, this furniture must be used with the wall attachment device(s) provided.

Assembly Instructions

Please read through these instructions and ensure they are kept for future reference. All parts and hardware are listed on this guide. Please ensure the unit is securely fixed to the wall to avoid tipping. Fixings are not supplied. Please ensure you source and use correct plugs and screws for the surface you are fixing this product to.

Storage Cabinet Care Instructions

Dust regularly with a clean, dry cloth. Wipe up any spills immediately with a damp cloth and then dry the surface with a clean, dry cloth. Never use abrasive or corrosive cleaning agents. Always use placemats and coasters to protect the surface from moisture and heat. Avoid sharp objects scratching the surface. Avoid placing on uneven surfaces. Do not drag furniture, always lift to move.

Maximum weight capacity

Top panel: 30kg

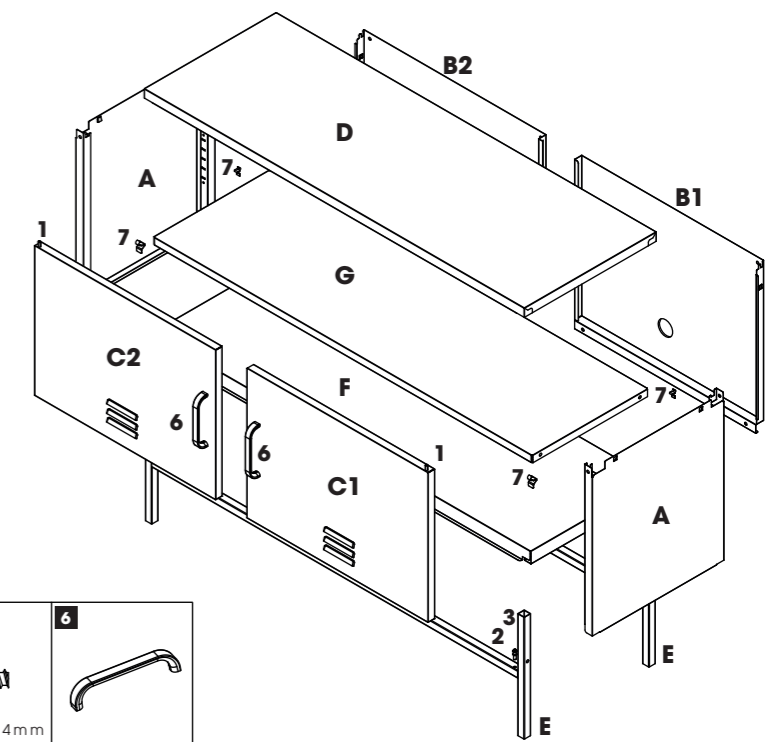
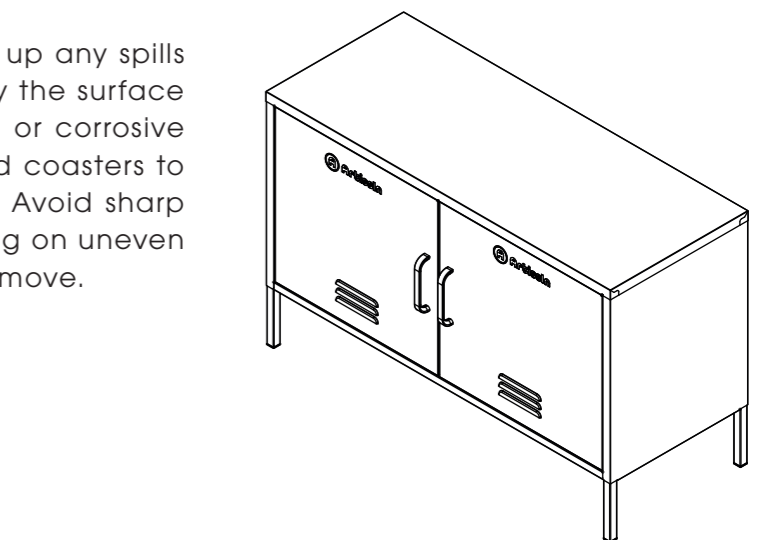
Shelf: 10kg

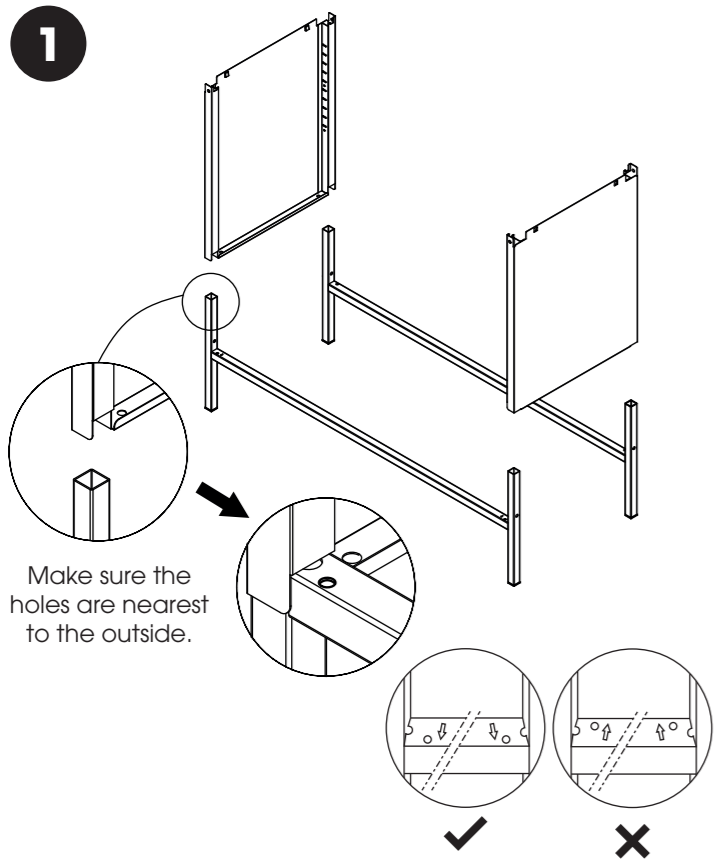
Bottom panel: 15kg

Storage Cabinet Parts & Hardware

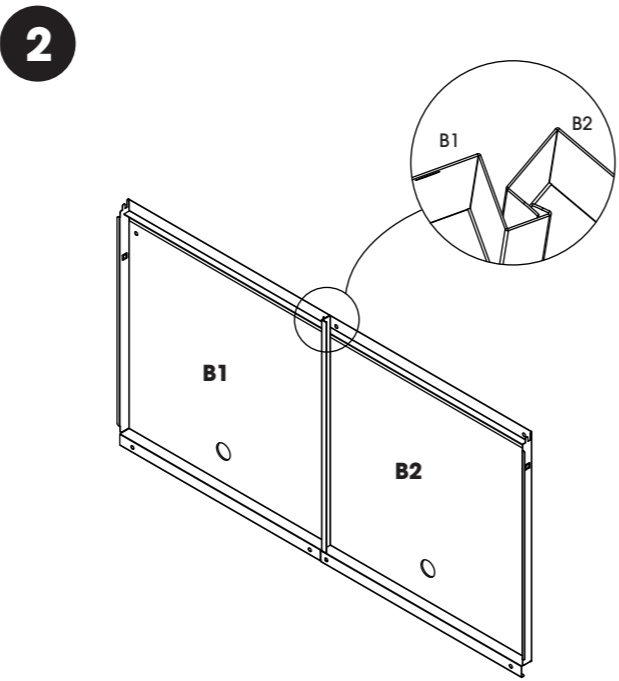
A 	B 	C
x2 Side Panels	x2 Back Panels	x2 Doors
D 	E 	
x1 Top Panel	x2 Legs	
F 	G 	
x1 Bottom Panel	x1 Shelf	

1 ∅6x70mm x 2	2 ∅6x30mm x 2	3 ∅12x0.8mm x 2	4 ∅9x0.8mm x 4	5 ∅4x4mm x 4	6 x 2
7 x 4	8 ∅5x10mm x 2	9 x 2	10 ∅8x38mm x 2	11 ∅4x38mm x 2	

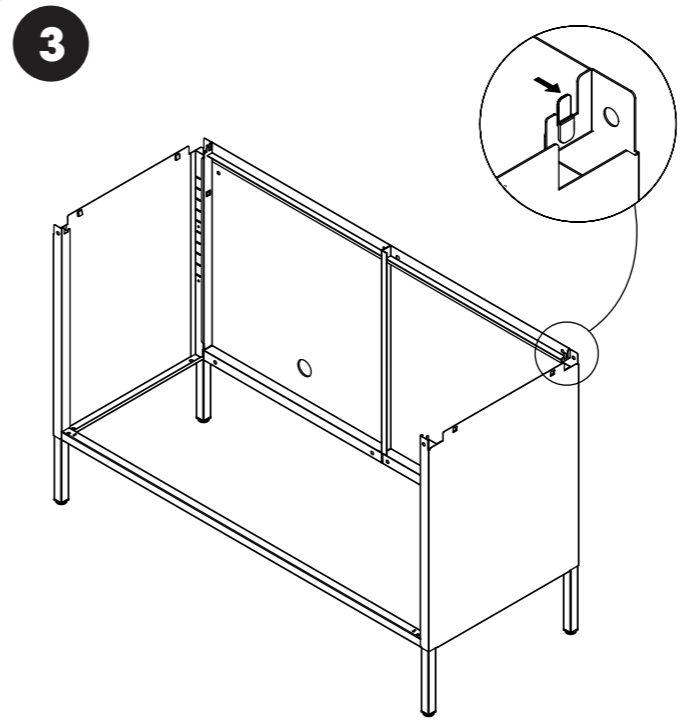




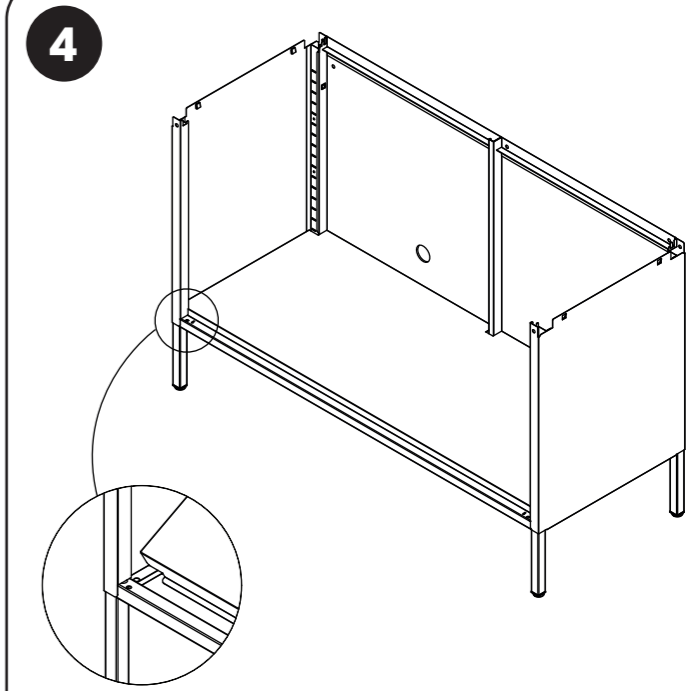
Hold both the locker legs (E) facing upwards and then, insert the side panels (A) down into the legs.



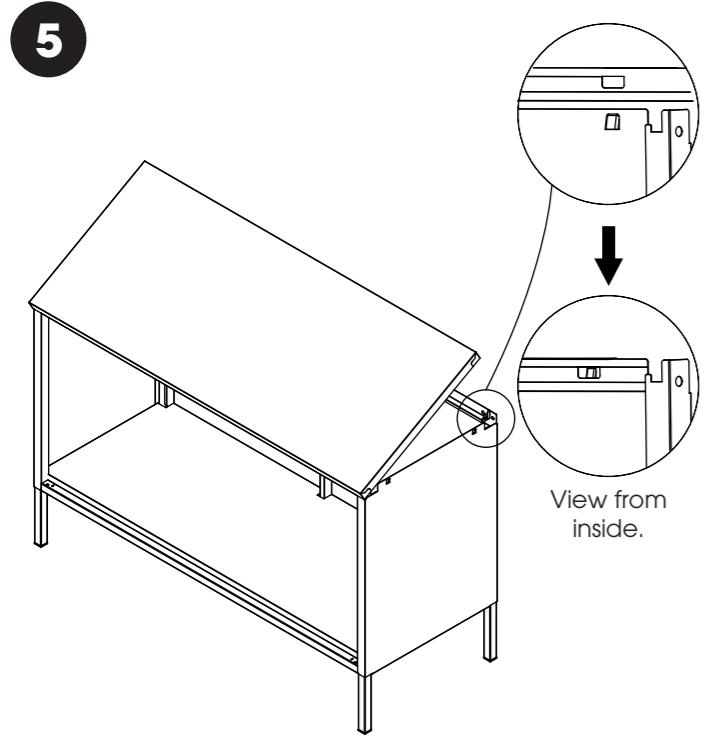
Attach the back panels (B) by slotting them together.



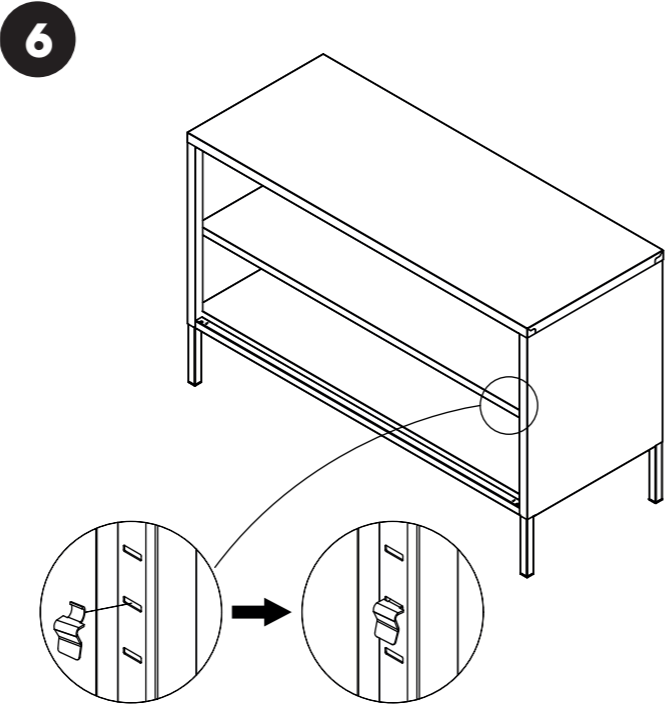
For installing the back panel (B), push the back panel into place starting at the bottom and then, fold down the tabs on the corners of the back panel.



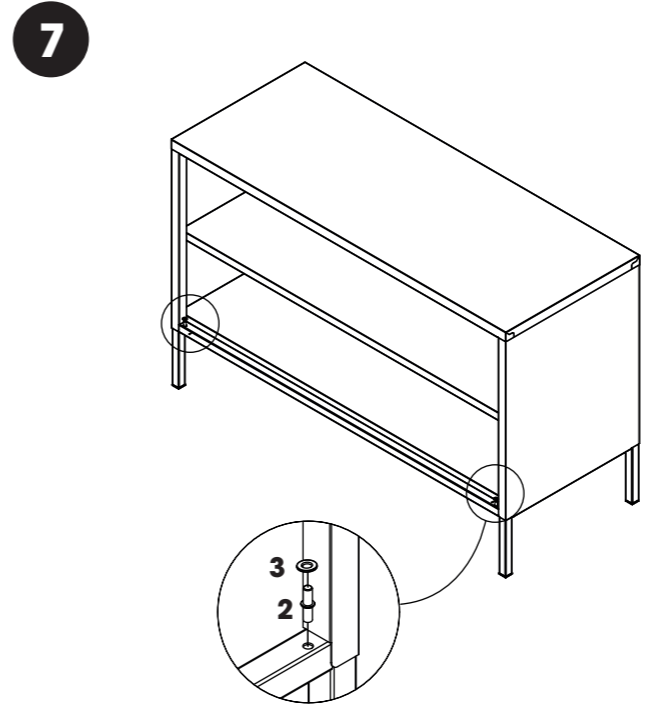
Insert the bottom panel (F) starting at the front and push it down all the way into place.



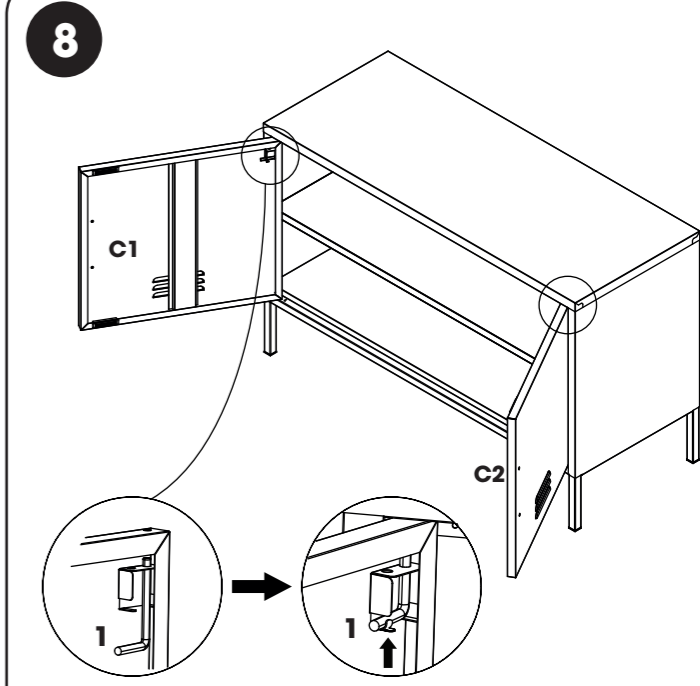
Install the top panel (D) starting at the front. Make sure you align the top with all the side and back panels and then, push the top panel down with enough force to click it into place. Ensure all the panels are slotted in correctly.



Add the shelf bracket (7) and the shelf (G).



Insert the metal post (2) and the washer (3) in the hole in the leg.



Slide the door down on the post and into the correct position against the cabinet. At the top of the door, insert the L-shape post (1) up into position through the holes, and bend the tab to secure in place.